

EPSON

SC-S9100 Series

User's Guide

CMP0483-01 EN

Copyrights and Trademarks

Copyrights and Trademarks

No part of this publication may be reproduced, stored in a retrieval system, or transmitted in any form or by any means, electronic, mechanical, photocopying, recording, or otherwise, without the prior written permission of Seiko Epson Corporation. The information contained herein is designed only for use with this Epson printer. Epson is not responsible for any use of this information as applied to other printers.

Neither Seiko Epson Corporation nor its affiliates shall be liable to the purchaser of this product or third parties for damages, losses, costs, or expenses incurred by the purchaser or third parties as a result of accident, misuse, or abuse of this product or unauthorized modifications, repairs, or alterations to this product, or (excluding the U.S.) failure to strictly comply with Seiko Epson Corporation's operating and maintenance instructions.

Seiko Epson Corporation shall not be liable for any damages or problems arising from the use of any options or any consumable products other than those designated as Original Epson Products or Epson Approved Products by Seiko Epson Corporation.

Seiko Epson Corporation shall not be held liable for any damage resulting from electromagnetic interference that occurs from the use of any interface cables other than those designated as Epson Approved Products by Seiko Epson Corporation.

Microsoft, Internet Explorer, Microsoft Edge, and Windows are trademarks of the Microsoft group of companies.

Apple, Mac, OS X and Safari are trademarks of Apple Inc., registered in the U.S. and other countries.

QR Code is a registered trademark of DENSO WAVE INCORPORATED in Japan and other countries.

Intel and Intel Core are trademarks of Intel Corporation or its subsidiaries.

Adobe, Acrobat, Illustrator, and Reader are either registered trademarks or trademarks of Adobe in the United States and/or other countries.

Chrome and YouTube are trademarks of Google LLC.

Firefox is a trademark of the Mozilla Foundation in the U.S. and other countries.

BEMCOT™ is a trademark of Asahi Kasei Corporation.

All other trademarks are the property of their respective owners and used for identification purposes only.

©2024 Seiko Epson Corporation

Copyrights and Trademarks

Note for North American and Latin American Users

IMPORTANT: Before using this product, make sure you read the online *Safety Instructions*.

Contents

Copyrights and Trademarks

Note for North American and Latin American Users 3

Notes on Manuals

Meaning of Symbols. 6
 Screenshots. 6
 Illustrations. 6
 Product Model Descriptions. 6
 Manual Organization. 6
 Viewing Video Manuals. 7
 Viewing PDF Manuals. 7

Introduction

Printer Parts. 9
 Front Section. 9
 Inside. 12
 Back. 14
 Bulk ink solution. 17
 Control panel. 18
 Understanding and Operating the Display. 20
 Understanding the Display. 20
 Operating procedure. 26
 Notes on Handling. 28
 Notes when using the printer. 28
 Notes when not using the printer. 29
 Notes on Handling Ink Supply Units. 29
 Precautions When Handling and Storing Media. 30
 Notes on Handling White Ink. 31
 Software Supplied (For North America and Latin America). 33
 Windows. 33
 Mac. 34
 Software Supplied (For Regions Other Than North America and Latin America). 36
 Software Supplied (Windows). 36
 Software Supplied (Mac). 37
 Using Epson Edge Print (Windows only). 39
 Starting Procedure. 39
 Acquiring and Registering EMX Files. 39
 Closing Procedure. 39
 Using Epson Edge Dashboard. 39
 Starting Procedure. 39
 Registering the Printer. 40
 Download the EMX File. 40

 Closing Procedure. 40
 Using EPSON Software Updater (Windows only). . 40
 Checking Software Update Availability. 40
 Receiving Update Notifications. 41
 Using Web Config. 41
 Starting Procedure. 41
 Closing Procedure. 42
 Uninstalling Software. 42
 Windows. 42
 Mac. 42
 Notes on the Administrator Password. 42
 Checking the Initial Password. 43
 Changing the Password. 43

Basic Operations

Workflow for Correct Printing. 44
 Registering Media Settings on the Printer. 44
 Notes When Handling Media. 45
 Notes on Loading Media. 45
 Loading Media. 46
 Make Settings for Loaded Media. 47
 Using the Auto Take-up Reel Unit. 48
 Getting Ready. 49
 Loading into the Auto Take-up Reel Unit. 49
 When Paper Tape is Unavailable. 49
 Replacing the Media. 53
 Replacing Expended Media. 53
 Replacing Media that is not Expended. 54
 Removing the Take-up Roll. 55
 Before Printing. 58
 Optimizing Media Settings (Automatic Adjustment). 59
 Notes on Adjustments. 59
 Automatic Adjustment Procedure. 59
 When Automatic Adjustment Cannot be Performed (Manual Adjustment). 60
 Changing Settings During Printing. 61
 Changing the Heater's Temperature. 62
 Correcting Banding. 62
 Printable Area. 63
 Left and Right Edge Positions of Media. 63
 Printable Area and Image Print Area. 65

Contents

Maintenance

When to Perform Various Maintenance Operations.	70
Components Requiring Regular Cleaning and Cleaning Timing.	70
Locations of Consumables and Replacement Timing.	71
Other maintenance.	72
What You Will Need.	74
Precautions Regarding Maintenance.	75
Performing Regular Cleaning.	75
Daily Cleaning.	75
Cleaning the Media Cleaner.	76
Using Ink Cleaner.	76
Cleaning Around the Print Head/Area Around the Cap.	77
Shaking the Ink Supply Units Periodically.	77
Precautions When Shaking.	78
Shaking.	78
Replacing Ink Supply Units.	79
Precautions When Replacing.	79
Replacement Procedure.	79
Disposing of Waste Ink.	80
Precautions When Replacing the Waste Ink Bottle.	80
Replacing the Waste Ink Bottle.	80
Replacing Maintenance Parts.	81
Preparing and Replacement Timing.	81
Replacement Procedure.	82
Replacing the Media Edge Plates.	82
Print Head Nozzle Check.	84
Types of Nozzle Checks.	84
How to Print a Nozzle Check Pattern.	84
Head Cleaning.	85
Types of Cleaning.	85
Performing Head Cleaning.	85
Switching Color Mode	87
What You Will Need.	87
Switching Modes.	87
Cleaning the Ink Supply Port and Storing.	87
Pre-maintenance When Not Using the Printer for an Extended Period.	87
Timing for Performing Pre-maintenance.	88
Performing Pre-maintenance.	88
When Resuming Use.	88
Cleaning Inside the Printer Cover.	89
Cleaning the Pressure Rollers.	89
Cleaning the Flushing Pad.	90

Cleaning the Inside Lights.	90
Handling Used Consumables.	91

Control Panel Menu

Menu List.	92
Details of the Menu.	101
General Settings Menu.	101
Media Settings Menu.	112
Maintenance Menu.	118
Supply Status Menu.	120
Replacement Part Information Menu.	121
Printer Status Menu.	121

Problem Solver

When a Message is Displayed.	122
When a Maintenance Call/Printer Error Occurs.	125
Troubleshooting.	126
You Cannot Print (Because the Printer Does Not Work).	126
The Printer Sounds Like It Is Printing, but Nothing Prints.	127
The Prints Are Not What You Expected.	128
Media.	129
Others.	130





Appendix

Options and Consumable Products.	132
Ink Supply Units.	132
Others.	134
Supported Media.	135
Moving and Transporting the Printer.	135
Suitable Installation Locations.	135
Moving the Printer.	136
Transport.	148
Media Settings List for Each Media Type.	149
System Requirements.	150
Epson Edge Dashboard.	150
Epson Edge Print.	151
Web Config.	151
Specifications Table.	153
Important Notes Regarding the Printer.	154

Notes on Manuals

Meaning of Symbols

To prevent injury to customers or third parties and damage to property, this manual uses the following symbols to warn of dangerous operations and handling. Make sure you understand the meaning of these symbols before reading this manual.

 Warning:	Warnings must be followed to avoid serious bodily injury.
 Caution:	Cautions must be followed to avoid bodily injury.
 Important:	Important must be followed to avoid damage to this product.
Note:	Notes contain useful or additional information on the operation of this product.
	Indicates related reference content.

Screenshots

- Screenshots used in this manual may differ slightly from the actual screens.
- Unless otherwise stated, the Windows screenshots used in this manual are from Windows 10.

Illustrations

The illustrations may differ slightly from the model you are using. Please be aware of this when using the manual.

Product Model Descriptions

Some models described in this manual may not be sold in your country or region.

Manual Organization

North America and Latin America

To view user manuals, visit <https://epson.com/support> (U.S.), <https://epson.ca/support> (Canada), or <https://latin.epson.com/support> (Latin America) and search for your product.

Other Regions

The manuals for the product are organized as shown below.

You can view the PDF manuals using Adobe Acrobat Reader or Preview (Mac).

Setup Guide (booklet)	Provides information on how to setup the printer after unpacking it from the box. Make sure you read this manual to perform operations safely.
Safety Instructions	Provides instructions that should be followed to prevent injury to customers or third parties and damage to property. Make sure you read this to ensure the product is used safely and correctly. For some regions, this content is included in the Setup Guide.
Online Manual	

Notes on Manuals

User's Guide (PDF)	This manual explains how to use the printer.
Troubleshooting & Tips	This manual provides some frequently asked questions and tips to help you use the printer efficiently.
Epson Video Manuals	These videos show you how to load media and perform maintenance.
Network Guide (PDF)	This manual provides information on using the printer over a network.
Epson Support (PDF)	Provides information about Epson Support for each region.

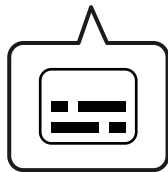
Viewing Video Manuals

The video manuals have been uploaded to YouTube.

Click [Epson Video Manuals (video)] on the top page of the Online Manual (not available in all regions), or click the following blue text to view the manuals.

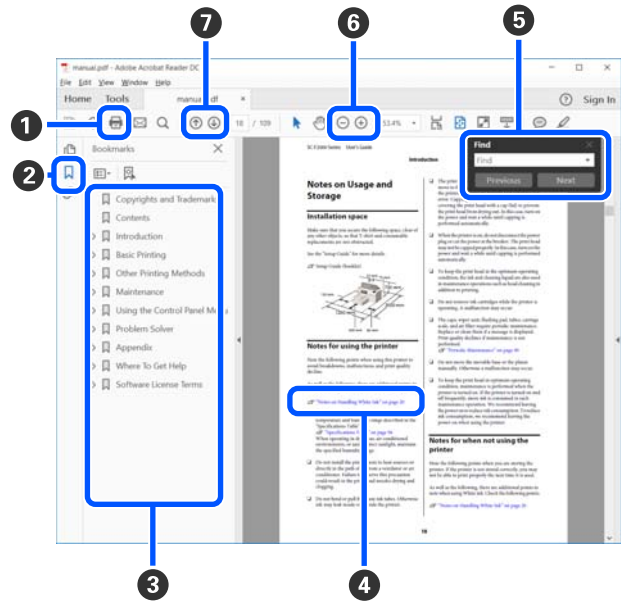
Epson Video Manuals

If the subtitles are not displayed when you play the video, click the subtitles icon shown in the image below.



Viewing PDF Manuals

This section uses Adobe Acrobat Reader DC as an example to explain the basic operations for viewing the PDF in Adobe Acrobat Reader.



- 1 Click to print the PDF manual.
- 2 Each time it is clicked the bookmarks are hidden or shown.
- 3 Click the title to open the relevant page.

Click [+] to open the titles lower in the hierarchy.
- 4 If the reference is in blue text, click the blue text to open the relevant page.

To return to the original page, do the following.

For Windows

While pressing the Alt key, press the ← key.

For Mac

While pressing the command key, press the ← key.

Notes on Manuals

- 5 You can input and search for keywords, such as the names of items you want to confirm.

For Windows

Right click on a page in the PDF manual and select **Find** in the menu that is displayed to open the search toolbar.

For Mac

Select **Find** in the **Edit** menu to open the search toolbar.

- 6 To enlarge the text in the display that is too small to see well, click \oplus . Click \ominus to reduce the size. To specify a part of an illustration or screenshot to enlarge, do the following.

For Windows

Right click on the page in the PDF manual and select **Marquee Zoom** in the menu that is displayed. The pointer changes to a magnifying glass, and you can use it to specify the range of the place you want to enlarge.

For Mac

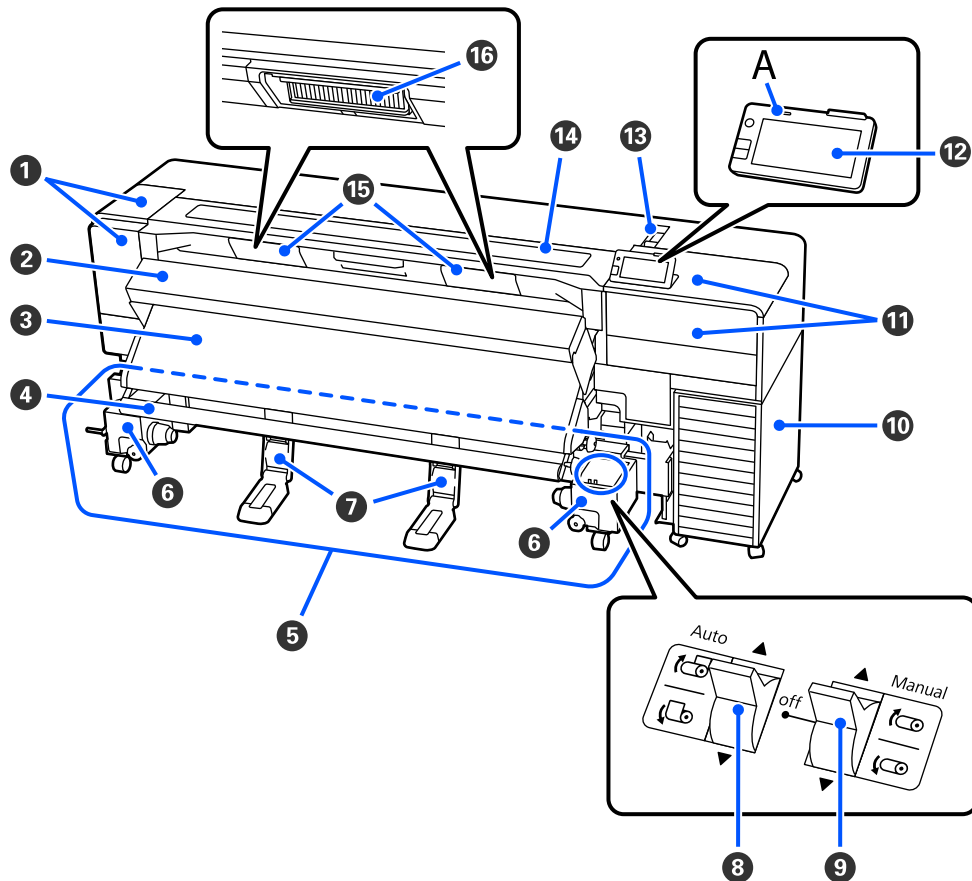
Click the **View** menu - **Zoom** - **Marquee Zoom** in this order to change the pointer to a magnifying glass. Use the pointer as a magnifying glass to specify the range of the place you want to enlarge.

- 7 Opens the previous page or next page.

Introduction

Printer Parts

Front Section



1 Maintenance covers (left)

Open these covers to clean the area around the print head. Normally closed when using the printer.

 [“Cleaning Around the Print Head/Area Around the Cap” on page 77](#)

2 Drying fan

The drying fan can be used to rapidly dry ink after printing.

3 After heater

The heater can be used to rapidly dry ink after printing.

 [“Changing the Heater's Temperature” on page 62](#)

Introduction

4 Tension bar

The tension bar maintains tension to prevent slack of the media when winding it.

5 Auto take-up reel unit

Automatically takes up printed media.

6 Media holder

Place the roll core for media take-up on these holders. There is a holder on both the left and the right.

7 Media support

Rest media temporarily on these supports when removing the take-up roll. When removing the media, adjust these to match the media width, and then flip the supports forward.

8 Auto switch

Use this switch to set the take-up specifications of the loaded media (printable side facing in or out). When this is set to Off, winding is not performed.

9 Manual switch

Use this switch to take-up manually. This is available when the Auto switch is set to Off.

10 Bulk ink solution

 [“Bulk ink solution” on page 17](#)

11 Maintenance covers (right)

Open these when replacing the wiper unit or when cleaning around the caps. Normally closed when using the printer.

12 Control panel

Tilt the panel manually to adjust it to a comfortable viewing position. To raise the panel from a level position, press on point A before moving it.

 [“Control panel” on page 18](#)

13 Media loading lever

Once media has been loaded, move the media loading lever to the front to keep the media in place. Move the media loading lever to the back to release the media prior to removal.

There is also a media loading lever at the back that operates in tandem with the lever at the front. Operate whichever is the easiest to use in your situation.

14 Printer cover

Open when loading media, cleaning the inside of the printer, or removing jammed media. Normally closed when using the printer.

15 Air filter cover

Open only when replacing the air filter. Make sure the cover is closed at all other times.

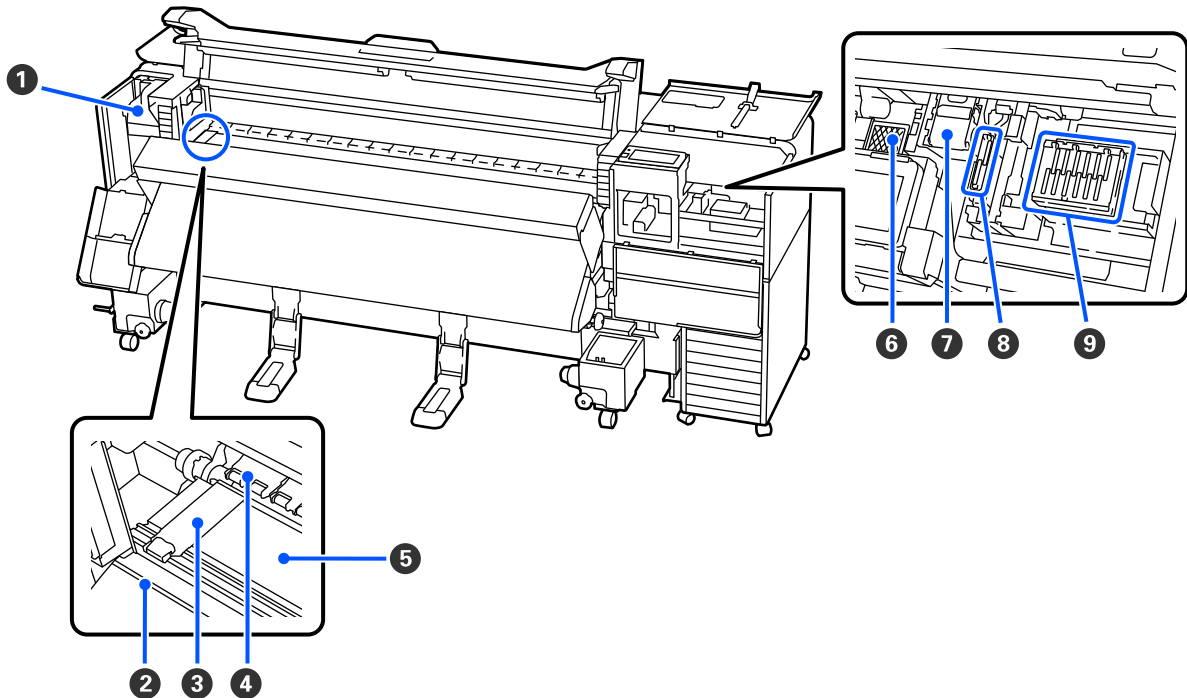
Introduction

16 Air filter

This filter allows air to pass through the inside of the printer during operation and absorbs ink mist. The air filter is a consumable item. Replace the wiper unit at the same time.

 [“Replacing Maintenance Parts” on page 81](#)

Introduction

Inside
**1 Print head**

The print head prints by moving left and right while emitting ink. When print results are dirty, check for dirt stuck to the print head and clean it, if necessary. Clean it at least once a month.

 [“Cleaning Around the Print Head/Area Around the Cap” on page 77](#)

2 Cutter groove

When cutting the media, slide the blade of a commercially available cutter along this groove to cut.

3 Media edge plates

The media edge plates prevent the media from riding up and keep fibers on the cut edge of the media from touching the print head. Position the plates at either side of the media before printing.

 [“Loading Media” on page 46](#)

4 Pressure rollers

These rollers press down on the media during printing. These move up and down in conjunction with the media loading lever.

5 Platen heater

Heating the media helps stabilize ink adhesion. If lint, dust, or ink adheres to this, it could cause clogged nozzles or ink drops to occur, so be sure to clean it daily.

 [“Daily Cleaning” on page 75](#)

Introduction

6 Flushing pad

Ink is discharged onto this pad during flushing. The flushing pad is a consumable item. Replace the wiper unit at the same time.

 [“Replacing Maintenance Parts” on page 81](#)

7 Wiper Unit

Used to wipe off ink that is stuck to the surface of the print head nozzles. The wiper unit is a consumable item. Replace when a message is displayed on the control panel prompting you to do so.

 [“Replacing Maintenance Parts” on page 81](#)

8 Suction cap

This cap suction the ink out of the print head. Clean it at least once a month.

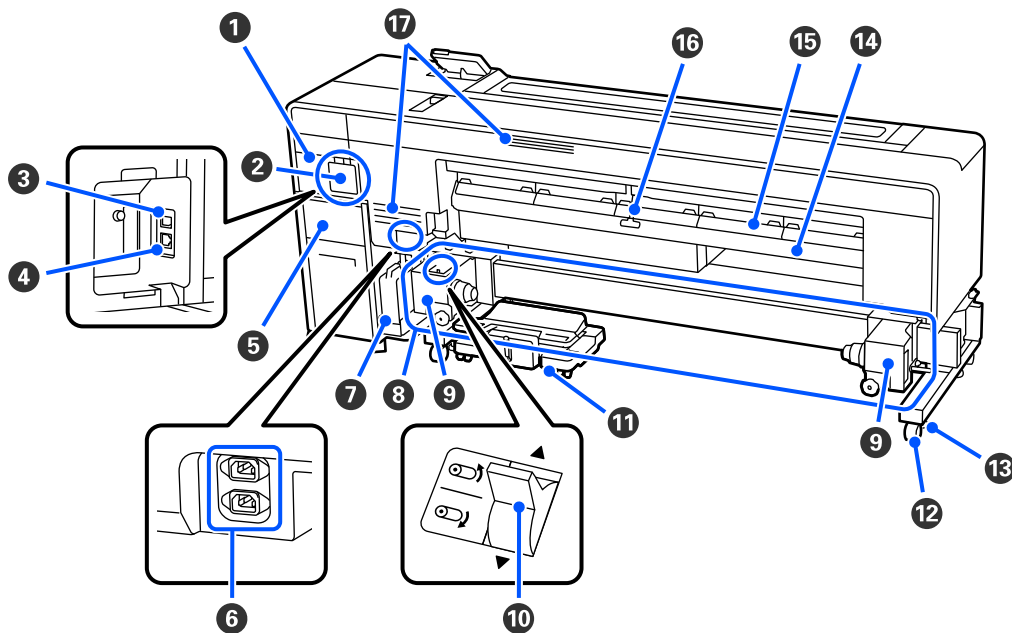
 [“Cleaning Around the Print Head/Area Around the Cap” on page 77](#)

9 Capping station

Except during printing, these caps cover the print head nozzles to prevent them from drying out. Clean them at least once a month.

 [“Cleaning Around the Print Head/Area Around the Cap” on page 77](#)

Introduction

Back**1 Ink tube connector cover**

Covers the connection between the printer and the bulk ink solution. There is an ink tube connector inside. Normally, this should always be connected when using the printer.

2 Port cover (top)

Covers the ports where the USB and LAN cables are connected.

3 USB port

Connect the USB cable.

4 LAN port

Connect the LAN cable.

5 Port cover (bottom)

Covers the port for the communication cable that connects the printer to the bulk ink solution.

6 AC inlet #1/AC inlet #2

Connect the power cables supplied with the printer. Be sure to connect both cables.

7 Waste ink bottle

Waste ink collects in this bottle.

Replace it with a new waste ink bottle when a message is displayed on the control panel prompting you to do so.

 [“Disposing of Waste Ink” on page 80](#)

Introduction

8 Media feeding unit

Load media to be used for printing.

See the following for supported media.

 [“Supported Media” on page 135](#)

9 Media holder

Place media on these holders. There is a holder on both the left and the right.

10 Drive switch

Rewinds media during media replacement.

11 Media roll lift

Rest media on this lift before placing it on the media holder. Turn the handle to adjust the height of the lift and raise the media to an easy-to-work-with height.

Although the lift is equipped with casters so that it can be moved easily with media placed on it, do not use it for transporting media or any other purpose, as the casters may be damaged.

The position shown in the illustration is the storage area. When the media roll lift is placed there, it is secured in place by magnets on the legs. When not in use, lower the lift and place it in the position shown in the illustration.

12 Casters

There are two casters on each leg. Once installation is complete, the casters should be kept locked while the printer is in use.

13 Levelers

There are two levelers on each leg. When installing on a carpeted floor or a sloping floor, check level gauge of the printer and adjust these to keep the printer stable. If you perform horizontal adjustment during installation, make sure you raise the levelers above the casters before moving the printer.

14 Pre-heater

Pre-heat the media before printing to avoid sudden temperature changes in the printing area.

15 Media cleaner

Wipes off any lint or dust on the media when the media is being fed. If a message appears on the control panel's screen, use the supplied media cleaner brush for cleaning.

 [“Cleaning the Media Cleaner” on page 76](#)

16 Media loading lever

This operates in tandem with the media loading lever at the front. Operate whichever is the easiest to use in your situation.

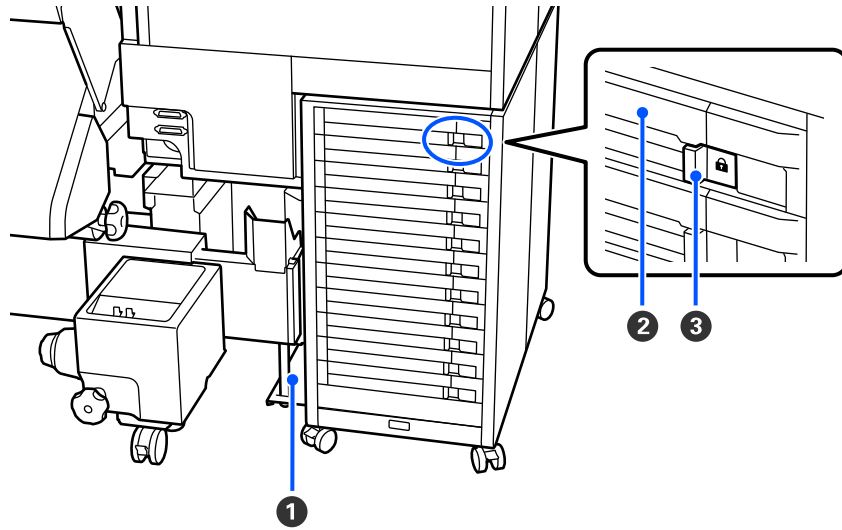
Introduction

⑰ Vent

This opening allows for ventilation between the printer's inside and outside. Do not block the vent.

Introduction

Bulk ink solution



1 Securing section

This part securely attaches the bulk ink solution to the printer. Do not remove this when using the printer; use it in the same condition as when it was installed.

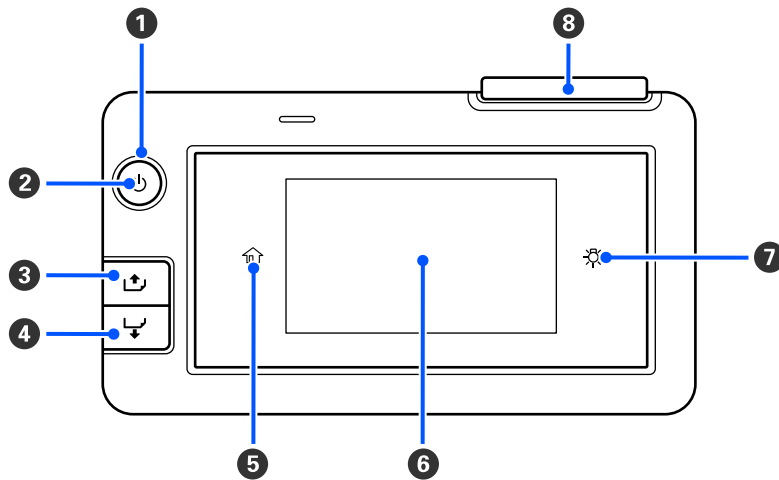
2 Ink tray

Insert the ink supply unit for the color indicated on the label. Place all of the ink trays in the bulk ink solution.

3 Lock switch

To pull out an ink tray, unlock it by moving the lock switch to the right. After placing the ink tray in the ink unit, lock it by moving the lock switch to the left.

Introduction

Control panel

1  **Light (power light)**

The printer's operational status is indicated by a lit or flashing light.


On : The power is on.

Flashing : The printer is performing an operation, such as receiving data, shutting down, or performing Head Cleaning.

Off : The power is off.

2  **Button (power button)**

Turns the power on and off.

3  **button (rewind button)**

Depending on the status of the media loading lever, operations differ as shown below.

- When the media loading lever is at the front
You can rewind the media by holding down the button. Rewinding stops when the leading edge of the media reaches the print start position. Rewind can be resumed by releasing the button and then pressing it again. Press and hold the button to speed up the rewinding.
- When the media loading lever is at the back
You can rewind media that has been loaded with the printable side out by holding down the button.


4  **button (feed button)**


Depending on the status of the media loading lever, operations differ as shown below.

- When the media loading lever is at the front
You can feed the media by holding down the button. Press and hold the button to speed up the feeding.
- When the media loading lever is at the back
You can rewind media that has been loaded with the printable side in by holding down the button.

Introduction

5 (home button)

Press to return to the home screen after performing menu operations (when  is lit).

 (home button) is not lit when it cannot be used.


6 Screen

Displays the printer's status, menus, error messages, and other information.

 [“Understanding and Operating the Display” on page 20](#)

7 (light button)

Switches the inside light on or off. Press this area to turn off the inside light, when it is on. Pressing it while the inside light is off, turns it on.

 is off when the inside light cannot be turned on/off due to the operating status of the printer.

8 Alert lamp

This lamp turns on or flashes when an error occurs.


On/Flash : An error occurred. How the lamp turns on or flashes varies with the type of error. The control panel displays a description of the error.

Off : No error.

Understanding and Operating the Display

Understanding the Display

This section explains how to view the Home screen.

The Home screen has the following two layouts and you can switch between them by pressing .

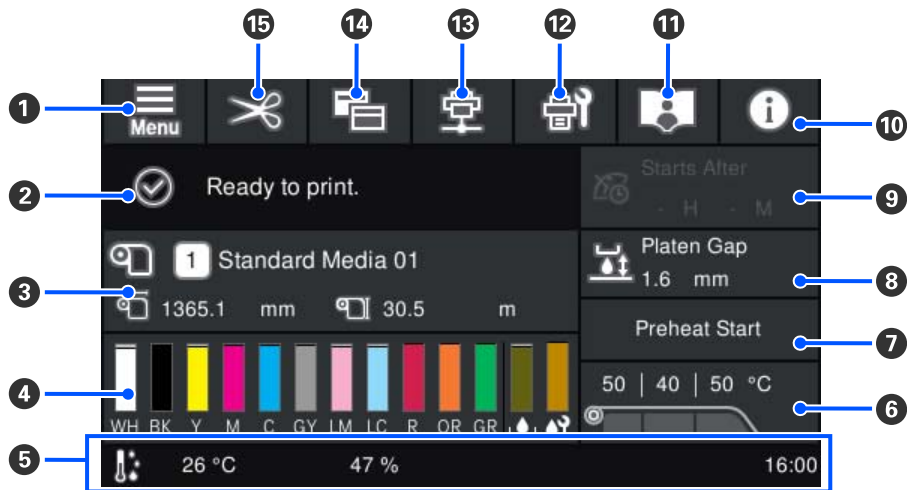
Home screen (status display)

You can check the current status of the printer.

Home screen (adjust while printing)

You can quickly change the major adjustment values. You can also make adjustments while printing.

Home screen (status display)



1 (menu)

The settings menu will be displayed.

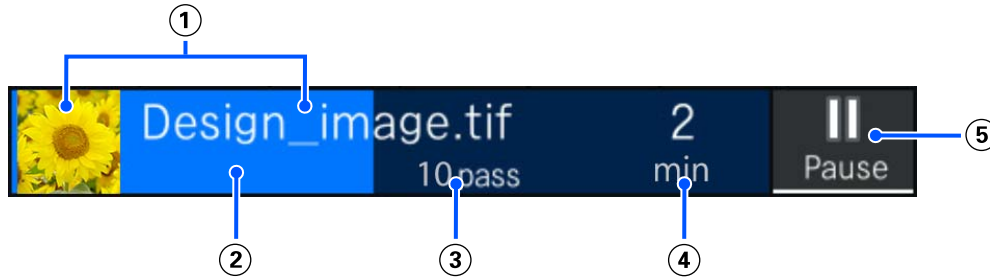
 ["Control Panel Menu" on page 92](#)

Introduction

2 Status display area

Displays the printer's status and warning messages. Only the most recent notifications are shown in this area. You can check all warning notifications by pressing .

When a print job is received, the displayed content changes as shown below. The following provides an explanation of each display.



① Displays a thumbnail of the image being printed and the file name. A thumbnail image may not be shown, depending on the type of RIP being used.

② Displays a progress bar showing the printing or preparation progress.

This normally displays the progress until printing is complete. Depending on the settings, progress from print preparation to the start of printing, and from the start of printing to completion, may be displayed separately.

By pressing the display area while printing, you can change the settings for the content displayed in ② and ③.

③ Displays the Printed Length for the media, Remaining Print Length for the media, Time until media replacement, or the Pass Mode.

Time until media replacement displays the estimated time.

④ Displays the estimated time until printing or preparation is complete.

⑤ This is the Pause (Suspend) button.

Press this button and select whether to stop printing immediately (**Immediate pause**) or stop after printing the current page (or job if it is a single page) (**Pause between pages**). Pressing **Resume** on the screen during a pause resumes printing. However, if you select **Immediate pause**, printing may become disrupted when printing restarts.

Appears as the **Start** button while warming up, until the heater reaches the set temperature. Pressing this button starts printing, even if the heater temperature is low.

3 Media info

Displays the name and number of the currently selected registered media, as well as the width of the currently loaded media. When **Remaining Amount Management** is set to **On**, the remaining amount of the loaded media is also displayed. Pressing this area displays the **Media Settings** from the settings menu where you can change to a different registered media number or change the settings for the media number that is currently selected.

Introduction

4 Status of consumables

Displays the approximate amount remaining and the status of consumables such as the ink supply unit. By pressing this area, you can check a more detailed estimate of the amount remaining and the part number for each consumable.

The following provides an explanation of each display.



Ink supply unit status

Indicates the approximate amount of ink remaining. The bar goes lower as the remaining ink runs low. The letters are abbreviations of the colors. The relation of the abbreviations and the ink colors is shown below.

The colors displayed vary depending on the color mode you are using.

WH : White

CL : Cleaning ink supply unit

BK : Black

Y : Yellow

M : Magenta

C : Cyan

LK : Light Black

LM : Light Magenta

LC : Light Cyan

R : Red

OR : Orange

GR : Green

Depending on the status of the ink supply unit, the display of the bar changes as shown below.



: Ink is low. You need to prepare a new ink supply unit.



: Ink is expended. Replace the old ink supply unit with a new one.



: It is time to shake the ink supply unit. Pull out the ink tray and shake it.

Introduction



Waste ink bottle status

Indicates the approximate amount of space available in the waste ink bottle. The bar goes lower as the amount of remaining space decreases.



: The waste ink bottle is almost full. Prepare a new waste ink bottle.



Wiper unit status

Indicates the approximate amount of wiper unit remaining. The bar goes lower as the remaining ink runs low.



: The wiper unit is running low, so you need to prepare a new wiper unit.

5 Environmental temperature, humidity, and time

Displays the current temperature, humidity, and time. You may not be able to print correctly unless you use the printer under the appropriate environmental conditions.

6 Heater temperature

Displays the set heater temperature. The icon below the number and the background color change, as shown below, depending on the temperature of the heater.

Status	Background Color	Icon
Stopped	Gray	-
Ready to print, preheating	Lit orange	-
Preparing to print or preparing to preheat	Flashing orange	

Press this area to display the settings screen where you can change the values.

7 Preheat Start/Stop

The heater starts heating when a job is sent, and printing starts when it reaches the set temperature. Press **Preheat Start** to start pre-heating the heater. Pre-heating allows you to start printing quickly once a job has been sent. You can start/stop pre-heating for the heater each time you press this area.

Additionally, the heater turns off after the time set in **Sleep Timer** in the settings menu has elapsed. Heating starts when a print job is sent, but you can still press **Preheat Start** if necessary. Also, if **Heater** is set to **Off** in the settings menu, pressing **Preheat Start** does nothing and pre-heating does not start.

8 Platen Gap

Displays the Platen Gap settings for the current media information (3). Press this area to display the settings screen where you can change the values.

Introduction

9 Notice on when to perform maintenance or Periodic Cleaning



Displays the remaining print duration, print page counter, or print length until maintenance or Periodic Cleaning is performed when the following conditions are met.

- Maintenance Cleaning: 24 hours in advance
- Periodic Cleaning (Print Duration): 24 hours in advance
- Periodic Cleaning (Print Page): 10 pages in advance
- Periodic Cleaning (Print Length): 16 m in advance

You can press this area to perform Head Cleaning if necessary.

Also, maintenance cleaning may be performed regardless of the notification when the printer is turned back on.

10 (Printer Status)

If a warning notification has been generated,  is displayed on the right just like . Press this area, then press **Message List** to display a list of warning notifications. You can check detailed information and the handling procedure for each item by pressing it in the list. Items are removed from the list as those actions are taken.

11 (link to manual)

Displays a QR code that takes you directly to the online manual.


Depending on your country or region, the QR code may take you directly to the Epson Video Manuals.

12 (Maintenance)

The Maintenance menu is displayed on the screen, and you can perform maintenance such as cleaning parts and replacing consumables.

13 / (Switch connection status)

The following icons indicate the connection status between the computer and the printer.

Connection : 
on

Connection : 
off

Press this area to display a screen where you can switch the connection on or off.

For example, you can finish work more efficiently by turning the connection off to prevent jobs from being received before performing maintenance such as printing a nozzle check pattern or executing Head Cleaning after cleaning around the print head.

Note that you may not be able to switch depending on the operating status of the printer. In this situation, the icon is grayed out indicating that the function is disabled.

14 (Switch screens)

Switch between the Home screen (status display) and the Home screen (adjust while printing) every time this area is pressed.

Introduction

15 ✂ (feed media to cutting position)

Depending on the settings for the currently selected registered media, the end of the print may be on the platen heater after printing is complete. If you want to send the end of the print to the cutting position, you can press this area to feed the media to the cutting position. Furthermore, if you perform an operation to feed the end of the print to the cutting position while it is in the cutting position, the print start position on the platen heater is fed to the cutting position.

[🔗 “Cutting media” on page 54](#)

Home screen (adjust while printing)

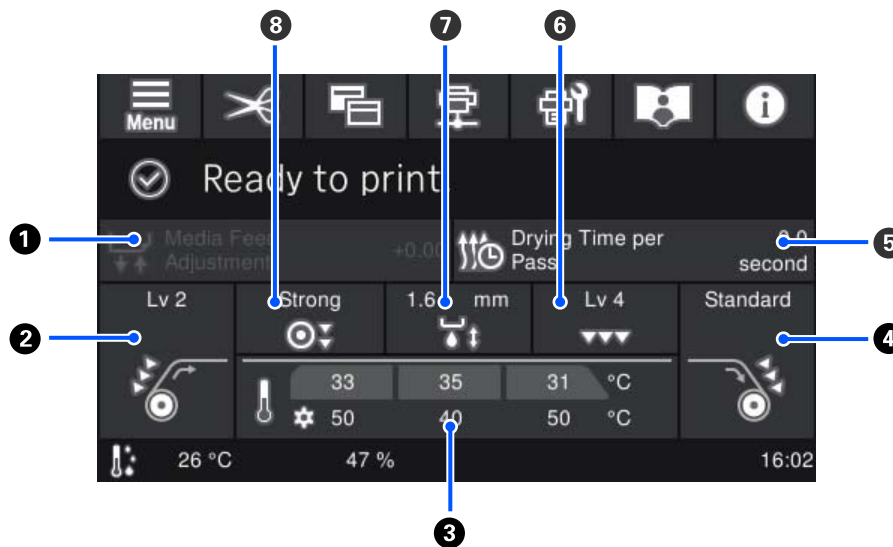
The following section only describes parts that differ from the Home screen (status display).

The current settings for each item are displayed on the adjust while printing screen. Press an item's display area to open a settings screen where you can adjust the settings. You can change the settings even while printing.

See the following for more information on each item.

[🔗 “Control Panel Menu” on page 92](#)

Results of the adjustments are registered to the currently selected Media Settings.



1 Media Feed Adjustment

To correct banding that occurs during printing, press this area to perform media feed corrections.

If the feed amount is too small, black bands (dark stripes) appear; correct the feed amount upwards (+).

In contrast, if the feed amount is too large, white bands (pale stripes) appear; correct the feed amount downwards (-). The value indicates the amount of feed that has been corrected as a percentage or as a positive (+) or negative (-) value.

Introduction

2 Feeding Tension

Displays the Feeding Tension setting. Press this area to change the setting if necessary, for example, if the media wrinkles during printing.

3 Heater temperature

The heater's current temperature is displayed on the top row, and the set temperature is displayed on the bottom row. Press this area to change the temperature. You can also start/stop pre-heating for the heater.

4 Take-Up

Displays the take-up setting. Press this area to change the setting if necessary, for example, if the media sticks or is wavy.

5 Drying Time per Pass

Displays the setting for the Drying Time per Pass. Press this area to change the drying time.

6 Paper Suction

Displays the current setting for the strength of the Paper Suction applied by the platen heater to the media. Press this area to change the setting if necessary, for example, if the media is wavy on the platen heater.

7 Platen Gap

Displays the setting value for the Platen Gap. Press this area to change the setting.

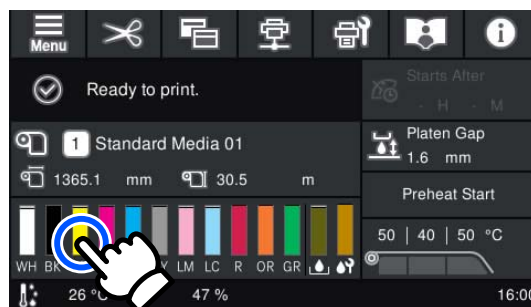
8 Pressure Roller Load

Displays the setting for the Pressure Roller Load. Press this area to change the setting if necessary, for example, if the media wrinkles near the pressure roller during printing.

Operating procedure

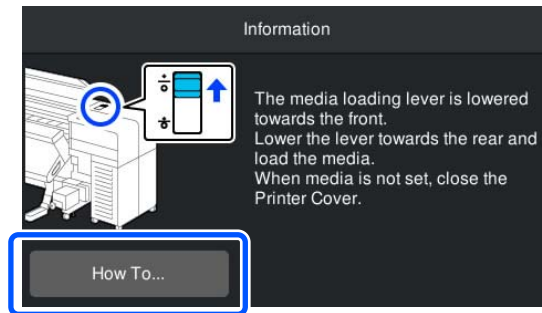
The black background area on the home screen does not respond even if you press it. When you press the gray tiled area in the operation area, the screen or the value changes.

Depending on the printer's operating status, you may not be able to perform the function for every button displayed at the top of the screen. If the function is unavailable, the icon is grayed out and the button does not respond.

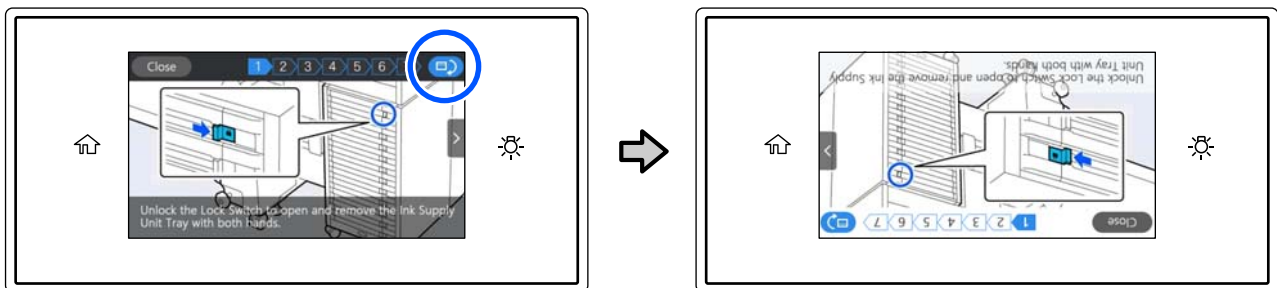


Introduction

If the following **How To...** button is displayed on a message screen, you can press this button to view a guide for the operating procedure.



On the How To screen, press the button shown in the illustration to rotate the display 180°. Tilt the control panel and rotate the display for easier viewing when working at the back of the printer.




Notes on Handling


Notes when using the printer

Note the following points when using this printer to avoid breakdowns, malfunctions, and print quality decline.

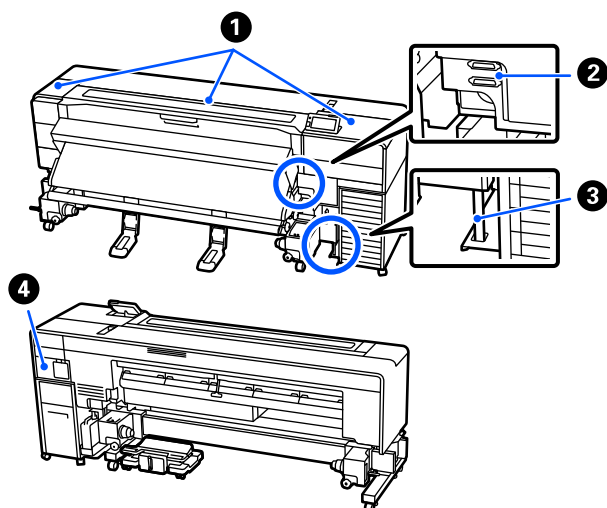
When using white ink, there are additional points to note beyond those listed below. See the following.

 [“Notes on Handling White Ink” on page 31](#)

- ❑ When using the printer, follow the operating temperature and humidity range described in the “Specifications Table”.  [“Specifications Table” on page 153](#)
Note, however, that the desired results may not be achieved if the temperature and humidity are within the limits for the printer but not within those for the media. Be sure the operating conditions suit the media. For more information, see the documentation supplied with the media. Also, when operating in dry areas, air conditioned environment, or under direct sunlight, maintain the appropriate humidity.
- ❑ Make sure the work space is kept clean. If dust or lint enter into the printer, it could damage the printer, clog the print head nozzles, or cause the quality of media feeding to decline.
- ❑ Avoid using the printer in locations with heat sources or that are exposed to direct draughts from ventilators or air conditioners. The print head nozzles could dry out and clog.
- ❑ The print head may not be capped (the print head may not return to the right side) if the printer is turned off when media is jammed or an error has occurred. Capping is a function for automatically covering the print head with a cap (lid) to prevent the print head from drying out. In this case, turn on the power and wait a while until capping is performed automatically.
- ❑ When the power is on, do not remove the power cables or cut the power at the breaker. Otherwise, the print head may not be capped properly. In this case, turn on the power and wait a while until capping is performed automatically.

- ❑ Do not bend or tug the waste ink tube. Ink could spill inside or around the printer.
- ❑ Maintenance such as cleaning and replacement must be performed according to usage frequency or at recommended intervals. Failure to perform regular maintenance could result in loss of print quality. In the absence of the appropriate maintenance, continued use could damage the print head.
 [“Components Requiring Regular Cleaning and Cleaning Timing” on page 70](#)
- ❑ Print head cleaning is performed automatically at a fixed interval after printing to keep the print head nozzles from clogging.
Be sure that the waste ink bottle is placed whenever the printer is on.
- ❑ As well as being expended during printing, ink is used during Head Cleaning and other maintenance operations required to keep the print head in working order.
Be sure that the waste ink bottle is placed whenever the printer is on.
- ❑ For stable color printing, maintain a constant room temperature of 20 to 32 °C (68 to 89.6 °F).
- ❑ Note the following points for the areas indicated in the illustration.
 - ① Do not touch any components inside the printer cover or maintenance cover except those specified in the manual.
 - ② Do not connect other devices to the drying fan and auto take-up reel unit connectors.
 - ③ Do not remove the bulk ink solution securing section except when instructed to do so in the manual.
 - ④ Do not remove the ink tube connector cover except when instructed to do so in the manual. If sufficient care is not taken when removing or touching the inside of the printer, malfunctions could occur due to static electricity or poor connection to the bulk ink solution.

Introduction



Notes when not using the printer

If you are not using it, note the following points when storing the printer. If it is not stored correctly, you may not be able to print properly the next time it is used.

When using White ink, there are additional points to note beyond those listed below. See the following.

[“Notes on Handling White Ink” on page 31](#)

- ❑ If you are not going to use the printer for an extended period (the power is off), perform pre-maintenance using the cleaning ink supply unit sold separately. If it is left as it is, the print head may become clogged and cannot be cleared. See the following for more information.

[“Pre-maintenance When Not Using the Printer for an Extended Period” on page 87](#)

- ❑ If you are not going to use the printer for an extended period and do not perform pre-maintenance, turn on the power at least once every seven days.
If you do not print for a long time, the print head nozzles may become dried out and clogged. Head cleaning is performed automatically after startup when the printer is turned on. Performing head cleaning helps prevent print head clogging and maintains print quality. Do not turn the printer off until head cleaning is complete.
Leaving the printer for too long without turning it on may result in a malfunction.

- ❑ If you have not used the printer for a long time, check the print head for clogging before you start printing. Perform Head Cleaning if the print head is clogged.

[“How to Print a Nozzle Check Pattern” on page 84](#)

- ❑ The pressure rollers may crease media left in the printer. The media may also become wavy or curled, causing jams or resulting in the media coming into contact with the print head. Remove the media before putting the printer in storage. After removing the media, move the media loading lever to the front.
- ❑ Store the printer after confirming that the print head has been capped (the print head is positioned at the far right). If the print head is left uncapped for a long time, the print quality may decline.

Note:

If the print head is not capped, turn the printer on, and then turn it off.

- ❑ Close all covers before placing the printer in storage. If you are not using the printer for a long time, put an anti-static cloth or cover on the printer to prevent dust. The print head nozzles are very small, and they can become clogged easily if fine dust gets on the print head, and you may not be able to print properly.
- ❑ When storing the printer, be sure that it is level: do not store it on an angle, on end, or upside down.

Notes on Handling Ink Supply Units

Note the following points when handling ink supply units to maintain good print quality.

When using White ink, there are additional points to note beyond those listed below. See the following.

[“Notes on Handling White Ink” on page 31](#)

- ❑ Extra ink is required to fully charge the print head nozzles the first time the printer is used; therefore, replacement ink supply units will be needed earlier than usual.

Introduction

- ❑ Store ink supply units at room temperature out of direct sunlight.
- ❑ To ensure print quality, we recommend using all of the ink before whichever of the following dates is earlier:
 - ❑ The expiry date shown on the ink supply unit packaging
 - ❑ One year from the date the ink supply unit was installed in the bulk ink solution
- ❑ If you move the ink supply units from a cold place to a warm place, leave them at room temperature for more than four hours before using them.
- ❑ Do not touch the IC chip on the ink supply unit. You may not be able to print properly.
- ❑ Do not leave the bulk ink solution with any ink supply units removed. The ink in the printer will dry out and the printer will not function as expected. Leave ink supply units installed even when the printer is not in use.
- ❑ Because the IC chip manages the information for the ink supply unit, such as the remaining ink level, you can still reinsert and use them if you removed them before the replacement message appears.
- ❑ When storing an ink supply unit that has been removed during use, use the cleaning stick from the included maintenance kit in advance to absorb any ink adhering to the ink supply port. If the ink in the supply port dries out, it may cause ink leakage when you reinstall the ink supply unit and use it again.
See the following for detailed cleaning instructions.
[🔗 “Cleaning the Ink Supply Port and Storing” on page 87](#)
- ❑ While ink supply units are in storage, keep the ink supply ports free of dust. The ink supply port has a valve in it so it does not need to be capped.
- ❑ Removed ink supply units may have ink around the ink supply port, so be careful not to get any ink on the surrounding area when removing the ink supply units.
- ❑ To maintain the quality of the print head, this printer stops printing before ink supply units are completely expended.
- ❑ Although the ink supply units may contain recycled materials, this does not affect printer function or performance.
- ❑ Do not dismantle or remodel ink supply units. You may not be able to print properly.
- ❑ Do not drop or knock an ink supply unit against hard objects; otherwise, the ink may leak from the ink supply unit.
- ❑ The ink supply units installed in the printer must be removed and thoroughly shaken every day for white ink and once every three weeks for other colors.
[🔗 “Shaking” on page 78](#)

Precautions When Handling and Storing Media

Note the following when handling or storing media. Media that are in poor condition will not produce good quality prints.

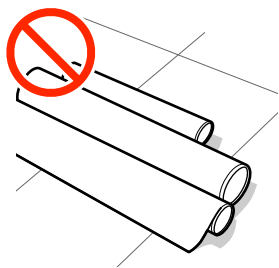
Be sure to read the documentation provided with each type of media.

Precautions when handling and storing

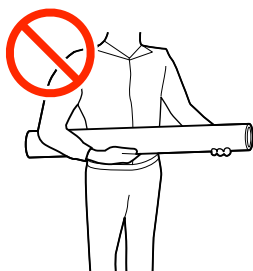
- ❑ Do not fold the media or damage the printable surface.
- ❑ Do not touch the printable surface. Moisture and oils from your hands can affect print quality.
- ❑ When handling media, hold it by both edges. We recommend wearing cotton gloves.
- ❑ Keep the media dry.
- ❑ Packaging materials can be used to store media and should not be thrown away.
- ❑ Avoid locations that are subject to direct sunlight, excessive heat, or humidity.

Introduction

- ❑ When not in use, media should be removed from the printer, rewound, and inserted in its original packaging for storage. Leaving media in the printer for extended periods may cause it to deteriorate.
- ❑ Do not place exposed media directly on the floor. Media should be rewound and inserted in its original packaging for storage.



- ❑ Do not carry media with the media surface pressed against clothing. Handle paper in its individual packaging until just before loading the paper in the printer.



Handling Media After Printing

To maintain long lasting, high quality print results, note the following points.

- ❑ Do not rub or scratch the printed surface. If it is rubbed or scratched, the ink may peel off.
- ❑ Do not touch the printed surface, as this may remove the ink.
- ❑ Make sure printouts are completely dry before folding or stacking. If they are stacked without drying, the colors in the overlapping areas may change (or marks may be left on the overlapping areas). These marks can be removed if you remove the media and allow it to dry immediately; however, if left unattended, the marks may become permanent.
- ❑ Avoid direct sunlight.

- ❑ To prevent discoloration, store prints as instructed in the documentation supplied with the media.

Notes on Handling White Ink

White ink tends to sediment more easily than other colors (where components settle at the bottom of the liquid). Sedimentation can cause uneven print results and clogged nozzles.

Note the following points before using White ink.

Notes on automatic ink circulation

The automatic ink circulation function periodically circulates White ink in the print head and tubes to prevent ink sedimentation.

Note the following points to ensure the automatic ink circulation function works correctly.

- ❑ We recommend keeping the printer turned on at all times.
Turning off the power prevents automatic ink circulation from occurring at the appropriate times, which can lead to unresolvable sedimentation and malfunction. See the following if you are not going to use the printer for an extended period.
[👉 “Pre-maintenance When Not Using the Printer for an Extended Period” on page 87](#)
- ❑ Automatic ink circulation may occur between pages when printing multiple copies in a batch. In this case, colors may appear different before and after circulation, and printing may take longer. To avoid interruptions from automatic ink circulation, we recommend completing **Ink Circulation Cleaning** manually before starting the print job.
[👉 “Maintenance Menu” on page 118](#)
- ❑ You can cancel automatic ink circulation by pressing the **Cancel** button when **Circulating ink...** is displayed on the control panel screen. However, if you print using White ink after canceling, the print results may have uneven shades.
Note that you cannot cancel at critical times when ink circulation is essential.

Introduction

Shake once every 24 hours

After installing an ink supply unit, remove it and shake it thoroughly once every 24 hours.

Shaking method  [“Shaking” on page 78](#)

Notes on storing ink supply units

Store the ink supply units flat (horizontally).

If they are stored upright, you may not be able to resolve sedimentation of the components even after shaking before use.

If you notice uneven shading in the print results

Perform **Print Head Refresh** from the control panel menu.

 [“Maintenance Menu” on page 118](#)

Software Supplied (For North America and Latin America)

Windows

To view and download software options, visit the support site for your region and search for your product:

- ❑ <https://epson.com/support> (U.S.)
- ❑ <https://epson.ca/support> (Canada)
- ❑ <https://latin.epson.com/support> (Latin America)

Note:

Printer drivers are not provided. A software RIP is required for printing. "Epson Edge Print", Epson's software RIP for Windows, is supplied with the printer.


The Epson web site provides supported plug-in software for the printer.

Epson Edge Print (supplied with the printer)

Epson Edge Print (Windows only) is a software RIP that can be effortlessly used with easy-to-understand operations.

Visit the URL printed on the sheet in the Epson Edge Print package to install the software.

See the following for more information on Epson Edge Print.

 ["Using Epson Edge Print \(Windows only\)" on page 39](#)

Epson Edge Dashboard (available on the Epson web site)

If you have installed Epson Edge Print, it is installed at the same time.

After installation, it operates as resident software. It provides the following control operations for Epson printers.

- ❑ Notifies you of the status of registered printers when you are using a commercial software RIP.
- ❑ You can download print settings files (EMX files) provided by Epson over a network. When using a commercial software RIP, import the downloaded EMX file into the commercial software RIP to use it.
- ❑ You can monitor the status of the printer connected to a computer with Epson Edge Dashboard installed over a network or USB connection.
- ❑ You can easily make and change media settings from a computer and write to the printer.

 ["Using Epson Edge Dashboard" on page 39](#)

Note:

The provided EMX files differ according to the country and region in which you live.

Introduction

Web Config (pre-loaded in the printer)

This software is pre-installed on the printer. You can start it from a web browser via a network.

This software is for network administrators.

You can configure the network security settings from Web Config. It also provides an e-mail notification function to inform you about errors and other events on the printer.

 [“Using Web Config” on page 41](#)

Mac

To view and download software options, visit the support site for your region and search for your product:

- <https://epson.com/support> (U.S.)
- <https://epson.ca/support> (Canada)
- <https://latin.epson.com/support> (Latin America)

The following two types of software are supplied for Mac.

Note:

Support for Mac varies by region.

Epson Edge Dashboard (available on the Epson web site)

After installation, it operates as resident software. The following features are available.

- You can receive notifications on updating the printer firmware, and update the firmware.
- Notifies you of the status of registered printers when you are using a commercial software RIP.
- You can download print settings files (EMX files) provided by Epson over a network. Import the downloaded EMX file into the commercial software RIP to use it.
- You can monitor the status of the printer connected to a computer with Epson Edge Dashboard installed over a network or USB connection.
- You can easily make and change media settings from a computer and write to the printer.

 [“Using Epson Edge Dashboard” on page 39](#)

Note:

The provided EMX files differ according to the country and region in which you live.

Web Config (pre-loaded in the printer)

This software is pre-installed on the printer. You can start it from a web browser via a network.

Introduction

This software is for network administrators.


You can configure the network security settings from Web Config. It also provides an e-mail notification function to inform you about errors and other events on the printer.

 [“Using Web Config” on page 41](#)

Software Supplied (For Regions Other Than North America and Latin America)

The software for the printer is provided using different methods and with different content for Windows and Mac.

 [“Windows” on page 33](#)

 [“Mac” on page 34](#)

Note:

Printer drivers are not provided. A software RIP is required for printing. “Epson Edge Print”, Epson's software RIP for Windows, is supplied with the printer.

The Epson web site provides supported plug-in software for the printer.

Software Supplied (Windows)

The software to help you get the best out of the printer is available in the following ways.

- epson.sn web site
- Optical disc supplied with the printer
- Epson web site (<https://www.epson.com>)
- Pre-installed software on the printer

Software supplied on the epson.sn web site

Software installed from the <https://epson.sn>.

For more information on each software application, see the online help for each software application.

Software Name	Summary
EPSON Software Updater	<ul style="list-style-type: none"> <input type="checkbox"/> The software checks if new software or update information is available on the Internet and installs it. You can also update the manuals for the printer. <input type="checkbox"/> Notifies you when a printer firmware update is available. You can download and update the latest firmware by following the wizard.
Epson communications drivers	Epson communications drivers are required when using Epson Edge Dashboard or Epson Edge Print, or when using a commercial RIP to connect a computer and the printer by USB. Make sure these are installed.
EpsonNet Config SE	With this software, you can configure various network settings for the printer from your computer. This is useful as it allows you to enter addresses and names using the keyboard.

Epson Edge Print (on the optical disc supplied)

Epson Edge Print is a software RIP that can be effortlessly used with easy-to-understand operations.

Introduction

This can be installed over the Internet. See the *Setup Guide* (booklet) for how to install the software.

See the following for more information on Epson Edge Print.

 [“Using Epson Edge Print \(Windows only\)” on page 39](#)

Epson Edge Dashboard (available on the Epson web site)

If you have installed Epson Edge Print, it is installed at the same time.

After installation, it operates as resident software. It provides the following control operations for Epson printers.

- Notifies you of the status of registered printers when you are using a commercial software RIP.
- You can download print settings files (EMX files) provided by Epson over a network. When using a commercial software RIP, import the downloaded EMX file into the commercial software RIP to use it.
- You can monitor the status of the printer connected to a computer with Epson Edge Dashboard installed over a network or USB connection.
- You can easily make and change media settings from a computer and write to the printer.

 [“Using Epson Edge Dashboard” on page 39](#)

Note:

The provided EMX files differ according to the country and region in which you live.

Web Config (pre-loaded in the printer)

This software is pre-installed on the printer. You can start it from a web browser via a network.

This software is for network administrators.

You can configure the network security settings from Web Config. It also provides an e-mail notification function to inform you about errors and other events on the printer.

 [“Using Web Config” on page 41](#)

Software Supplied (Mac)

The following two types of software are supplied for Mac.

Note:

Support for Mac varies by region.

Epson Edge Dashboard (available on the Epson web site)

After installation, it operates as resident software. The following features are available.

- You can receive notifications on updating the printer firmware, and update the firmware.

Introduction

- ❑ Notifies you of the status of registered printers when you are using a commercial software RIP.
- ❑ You can download print settings files (EMX files) provided by Epson over a network. Import the downloaded EMX file into the commercial software RIP to use it.
- ❑ You can monitor the status of the printer connected to a computer with Epson Edge Dashboard installed over a network or USB connection.
- ❑ You can easily make and change media settings from a computer and write to the printer.

 [“Using Epson Edge Dashboard” on page 39](#)

Note:

The provided EMX files differ according to the country and region in which you live.

Web Config (pre-loaded in the printer)

This software is pre-installed on the printer. You can start it from a web browser via a network.

This software is for network administrators.

You can configure the network security settings from Web Config. It also provides an e-mail notification function to inform you about errors and other events on the printer.

 [“Using Web Config” on page 41](#)

Using Epson Edge Print (Windows only)

Starting Procedure

The application can be launched using any of the following methods.

- ❑ Double click the shortcut icon created on the desktop.
- ❑ Click the Windows Start button - **All Programs - Epson Software - Epson Edge Print.**

For more information, see the Epson Edge Print online help.

Acquiring and Registering EMX Files

To print correctly on the media you are using, you must register the media's print information and the media setting values on the printer and in Epson Edge Print.

You can use print setting files (EMX files) from Epson, which provide optimum print quality settings for the commercially available media being used (the provided files differ according to the country and region in which you live).

See the following for details on EMX files.

 [“Registering Media Settings on the Printer” on page 44](#)

Epson Edge Print allows you to easily perform the following operations in wizard format.

- ❑ Download EMX files
- ❑ Automatically register print information in Epson Edge Print
- ❑ Register media settings on the printer

For more details on how to acquire and register EMX files, see the Epson Edge Print help.

Closing Procedure

Select **Done** from **File** at the top left of the screen.

Using Epson Edge Dashboard

Starting Procedure

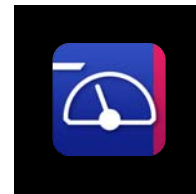
Epson Edge Dashboard is a Web application.

1

The application can be launched using either of the following two methods.

Windows

- ❑ Click the **Epson Edge Dashboard** icon on the taskbar on your desktop, and select **Show Epson Edge Dashboard.**



- ❑ Click **Start - All Programs (or Programs) - Epson Software - Epson Edge Dashboard.**

Mac

- ❑ Click the **Epson Edge Dashboard** icon displayed on the menu bar of the desktop, and select **Show Epson Edge Dashboard.**



- ❑ Double-click the **Applications - Epson Software - Epson Edge Dashboard - Epson Edge Dashboard** icon.

2

Epson Edge Dashboard starts.

For more information, see the Epson Edge Dashboard online help.

Introduction

Registering the Printer

Epson Edge Dashboard can monitor, manage, and copy Media Settings to registered printers.

For Windows, printers are registered automatically, allowing you to monitor and manage them immediately after starting the Epson Edge Dashboard. If your printer is not automatically registered, check that you are using it under the following conditions.

- A communication driver provided with the printer has been installed on a computer
- The computer and printer are connected
- The printer is on standby

Printers are not automatically registered for Mac. Register your printer manually from the Register Printer screen. This screen is displayed when you start Epson Edge Dashboard for the first time. For details, see the Epson Edge Dashboard help.

Download the EMX File

To print correctly on the media you are using, you must register the media's print information and the media setting values on the printer and in the commercial software RIP.

You can use print setting file (EMX file) provided by Epson, which provides optimum print quality settings for the commercially available media being used. (The provided files differ according to the country and region in which you live.)

See the following for details on EMX files.

 [“Registering Media Settings on the Printer” on page 44](#)

After downloading an EMX file, you need to perform the following steps.

- Copy the media settings to the printer.
For details, see the Epson Edge Dashboard help.
- Import the print information (print settings) into a commercial software RIP.
See the manual for your software RIP for details.

Closing Procedure

Close the Web browser. However, since Epson Edge Dashboard is a resident software, it does not stop running.

Using EPSON Software Updater (Windows only)

Note:

EPSON Software Updater is not available in all regions.

North American and Latin American users:

To check for software updates, visit <https://epson.com/support> (U.S.), <https://epson.ca/support> (Canada), or <http://latin.epson.com/support> (Latin America) and search for your product.

Checking Software Update Availability

1

Check the following status.

- The computer is connected to the Internet.
- The printer and the computer can communicate.

2

Start EPSON Software Updater.

Windows 8.1/Windows 8

Enter the software name in the search charm, and select the icon displayed.


Other Windows versions

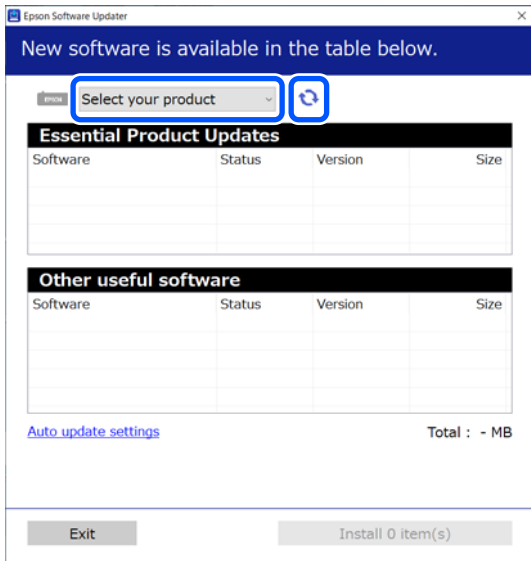
Click Start - **All Programs** (or **Programs**) - **Epson Software** - **EPSON Software Updater**.

Note:

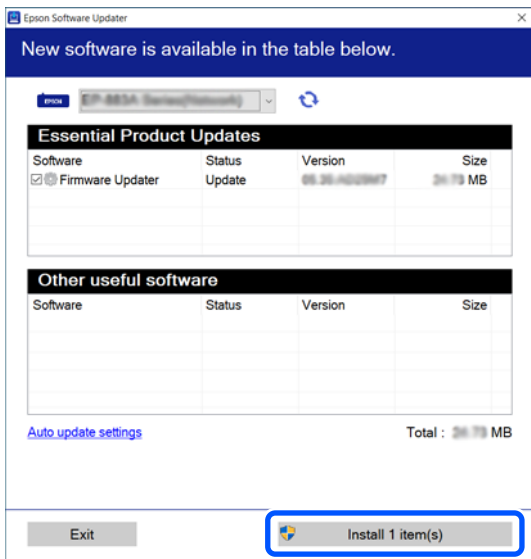
*You can also start by clicking the printer icon on the desktop taskbar and selecting **Software Update**.*

Introduction

- 3 Select your printer, and then click  to check for the latest software.




- 4 Select the software and manuals you want to update, and then click the Install button to start the installation.



When Firmware Updater is displayed, the latest firmware is available. Select Firmware Updater and click the Install button to automatically start Firmware Updater and update the printer firmware.

Follow the on-screen instructions.

 **Important:**
Do not turn off the computer or printer while updating.

Receiving Update Notifications


- 1 Start EPSON Software Updater.
- 2 Click **Auto update settings**.
- 3 Select an interval for checking for updates on the printer's **Interval to Check** box, and then click **OK**.

Using Web Config

Provides an overview of starting the software and the functions provided.

Starting Procedure

Start the software on a computer that is connected to the same network as the printer.

- 1 Check the printer's IP address.
Confirm that the printer is ready to print. Press  (menu), and then select **General Settings - Network Settings - Network Status - Wired LAN Status**.
- 2 Start a Web browser on the computer that is connected to the printer over the network.
- 3 Enter the IP address of the printer in the address bar of the Web browser and press the **Enter** or **Return** key.

Format:

IPv4: https://IP address of printer/
IPv6: https://[IP address of printer]/

Example:

IPv4: https://192.168.100.201/
IPv6: https://[2001:db8::1000:1]/

To log on as an administrator, proceed to the next step.

Introduction

- 4 Click Log in at the top-right of the screen, enter your User Name and Current password, and then click OK.

When you log in for the first time, leave **User Name** blank, enter the initial password in **Administrator Password**, and then click **OK**.

 [“Checking the Initial Password” on page 43](#)

Closing Procedure

Close the Web browser.

Uninstalling Software

Important:

- Log into a "Computer administrator" account (an account with administrative privileges).
- Enter the administrator password when prompted and then proceed with the remainder of the operation.
- Exit any other applications that may be running.

Windows

This section describes how to uninstall applications using Epson communications drivers as an example. We recommend performing this procedure with the printer turned off and the printer cable disconnected from the computer.

Windows 11

- 1 Click the Start button and then **Settings**.
The **Settings** screen is displayed.
- 2 Click **Apps** from the menu on the left side of the screen.
- 3 Click **Apps & features** (or **Installed apps**).

- 4 Click the menu button for **SC-S9100 Series Comm Driver** from the list and select **Uninstall** from the menu.

Follow the on-screen instructions to continue.

When the confirmation message is displayed, click **Yes**.

Other Windows versions

- 1 Open the Control Panel, and then click **Uninstall a program**.
- 2 Select **SC-S9100 Series Comm Driver** from the list and click **Uninstall**.
Follow the on-screen instructions to continue.
When the confirmation message is displayed, click **Yes**.

Mac

The following describes how to remove Epson Edge Dashboard.

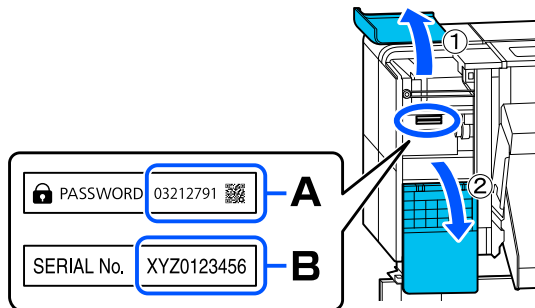
- 1 Close **Epson Edge Dashboard**.
- 2 Double-click **Applications - Epson Software - Epson Edge Dashboard - Epson Edge Dashboard Uninstaller**.
Follow the on-screen instructions to continue.

Notes on the Administrator Password

The initial password for each printer is different when the printer is shipped from the factory. We recommend that you do not continue to use the initial password when you start using the printer; change it to a password of your choice.

Checking the Initial Password

The initial administrator password is on the label inside the left maintenance cover.



- ❑ If the label says "PASSWORD": The initial password is indicated in A next to PASSWORD. (In the example in the illustration, the initial password is "03212791".)
- ❑ If the label does not say "PASSWORD": The initial password is indicated in B next to SERIAL No. (In the example in the illustration, the initial password is "XYZ0123456".)

Changing the Password

- 1 Start Web Config and log in as an administrator.
[🔗 "Starting Procedure" on page 41](#)
- 2 Click the **Product Security** tab - **Change Administrator Password**.
- 3 Enter your **Current password** and **New Password**, and then click **Settings**.
Set the **User Name** if necessary.

! **Important:**

If you forget the password, contact your dealer or Epson Support.

Basic Operations

Workflow for Correct Printing

Follow the instructions below to print correctly on your media.

1. Register media settings on the printer

To print in the optimum conditions for the media you are using, you must register the media's print information and setting values on the printer and in the RIP. You can easily register media settings on the printer using the following method.

 ["Registering Media Settings on the Printer" on page 44](#)



2. Load media

 ["Loading Media" on page 46](#)



3. Make settings for loaded media

 ["Make Settings for Loaded Media" on page 47](#)



4. Load into the auto take-up reel unit

 ["Loading into the Auto Take-up Reel Unit" on page 49](#)



5. Optimize the media settings (when using new media)

 ["Optimizing Media Settings \(Automatic Adjustment\)" on page 59](#)



6. Check the status of the printer

 ["Before Printing" on page 58](#)



7. Print

Print from Epson Edge Print or a commercial software RIP.

Registering Media Settings on the Printer

You can register media settings in one of the following ways.

Using the general-purpose media settings that are pre-registered in the printer

The printer has six general-purpose media settings according to the media type.

When you select a media type, the printer prints using the general-purpose media settings appropriate for that media type.

After loading the media, select the media type appropriate for the loaded media in Media Settings.

 ["Make Settings for Loaded Media" on page 47](#)

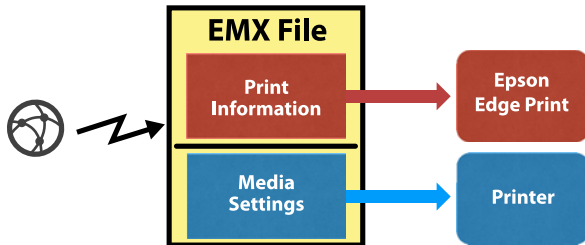
Downloading an EMX file and registering the settings

An EMX file provided by Epson is a single print settings file containing the following information necessary to print properly on commercially available media (the provided files differ according to the country and region in which you live).

- Print Information: Settings for ICC profiles that are used in RIP, the number of passes, the resolution, and more

Basic Operations

- Media Settings: The settings appropriate for the media you are using that are registered to the printer's Media Management for the Platen Gap, Feeding Tension, and more.



When using the software RIP Epson Edge Print supplied with the printer, download the EMX file from Epson Edge Print.

[“Using Epson Edge Print \(Windows only\)” on page 39](#)

When using a commercial software RIP, download the EMX file using Epson Edge Dashboard.

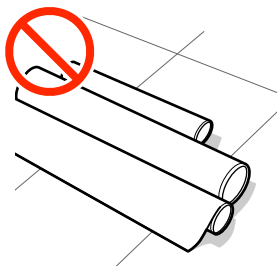
[“Using Epson Edge Dashboard” on page 39](#)

Notes When Handling Media

If the following points are not observed when handling media, small amounts of dust and lint may stick to the media surface and cause ink drops in the print results or cause the nozzles to clog.

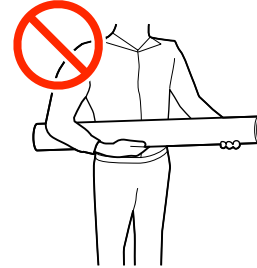
Do not place exposed media directly on the floor.

Media should be rewound and inserted in its original packaging for storage.



Do not carry media with the media surface pressed against clothing.

Handle paper in its individual packaging until just before loading the paper in the printer.



Notes on Loading Media

⚠ Caution:

- The heaters and media edge plate may be hot; observe all necessary precautions. Failure to observe the necessary precautions could result in burns.
- Because the media is heavy, it should not be carried by one person.
- Be careful not to trap your hands or fingers when opening or closing the printer cover. Failure to observe this precaution could result in injury.
- Do not rub your hands along the edges of the media. The edges of the media are sharp and can cause injury.

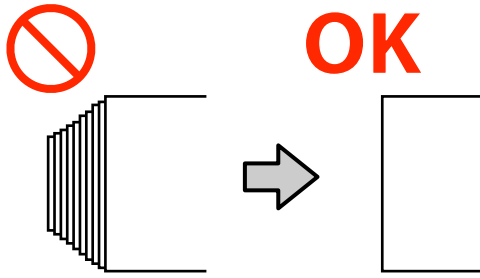
Load the media just before printing.

The pressure may crease media left in the printer. The media may also become wavy or curled, causing jams or resulting in the media coming into contact with the print head.

Do not load media if the right and left edges are uneven.

If media is loaded and the right and left edges of the roll are uneven, media feeding problems may cause the media to move around during printing. Either rewind to align the edges or use a roll without any issues.

Basic Operations



Media that cannot be used

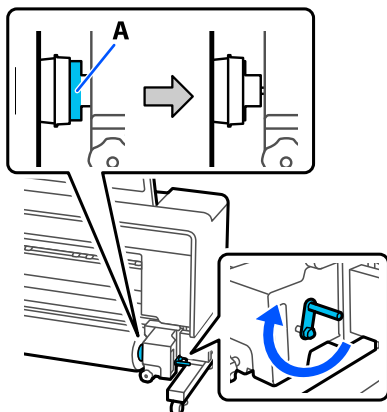
Do not use media that is folded, wrinkled, scuffed, torn, or dirty. The media could rise up and contact the print head and damage it.

Do not use paper that is frayed at the end of the roll, wrinkled, or torn, as shown in the following image.



Do not rotate the handle for the media holder too much.

When turning the handle to push in part A, as shown in the illustration, do not turn the handle any further once part A is hidden. Failure to observe this precaution could damage the media holder.



Handle the media edge plates with care.

- ❑ When aligning the media edge plates with both edges of the media, make sure that the edges of the media are positioned so that they are at the centers of the holes in the media edge plates. Incorrect positioning causes banding (horizontal banding, tint unevenness, or stripes) during printing.
- ❑ Do not use the media edge plates with media that is 0.5 mm (0.02 in.) or more thick. The media edge plates could touch and damage the print head.
- ❑ Do not use the media edge plates if the left and right sides of the printed media are smudged when printing.
- ❑ Move the media edge plates to the left and right edges of the platen heater when they are not in use.

Loading Media

As shown below, you can load media while checking the procedure on the panel screen.

You can also watch the video on YouTube.

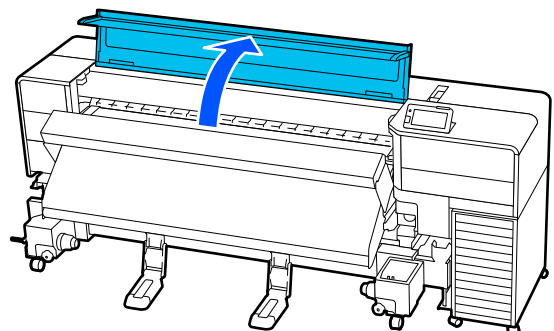
[Epson Video Manuals](#)

Read the following before starting this procedure.

 [“Notes When Handling Media” on page 45](#)

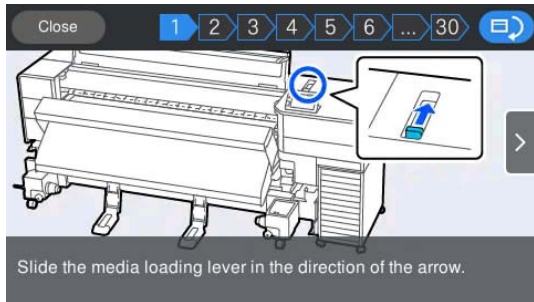
 [“Notes on Loading Media” on page 45](#)

- 1** Check that **Open Printer Cover and load the media.** is displayed, and then open the printer cover.



Basic Operations

- Press **How To...** to view the loading procedure. Follow the on-screen instructions to perform the procedure.



Make Settings for Loaded Media

When you have finished loading the media, follow the instructions on the control panel to make settings for the loaded media.

1. Select the registered media number

Select the registered media number that contains the media settings corresponding to the loaded media.



2. Select the roll winding direction

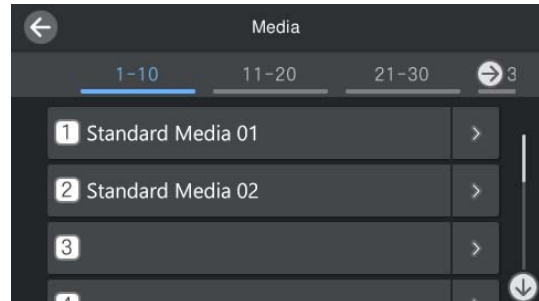
Select the winding direction for the loaded media roll.



3. Set the media length

Set the length of the loaded media. The amount of media remaining is managed based on the length entered here.

- When you have finished loading the media, the Media Settings screen is displayed. Press **Media** to select the registered media number that contains the settings corresponding to the loaded media.



When Media Settings have been registered for the loaded media/EMX files have already been downloaded

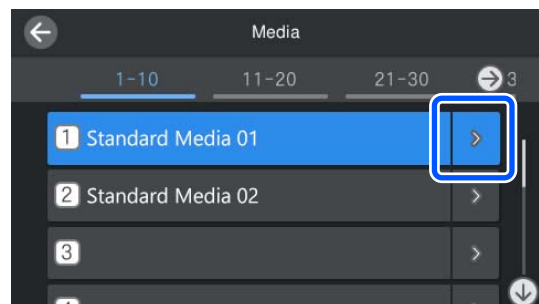
Select the registered media number.

When Media Settings have not been registered for the loaded media

In this situation, select an unregistered number.

If you select an unregistered number, the screen where you can select the Media Type is displayed. Select the Media Type that matches the type of media you have loaded.

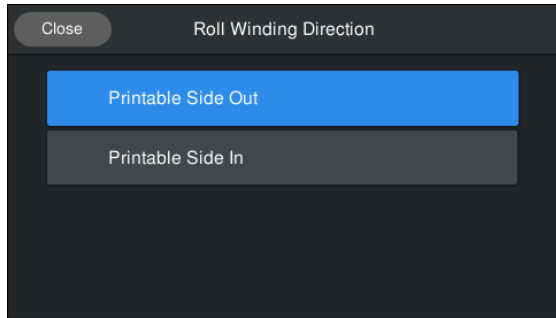
To change the media type later, press **Edit** - **Media Type** on the screen where the registered media number is displayed.



- Check the roll specifications. On the Media Settings screen, check that the winding direction matches the winding direction for the loaded media.

Basic Operations

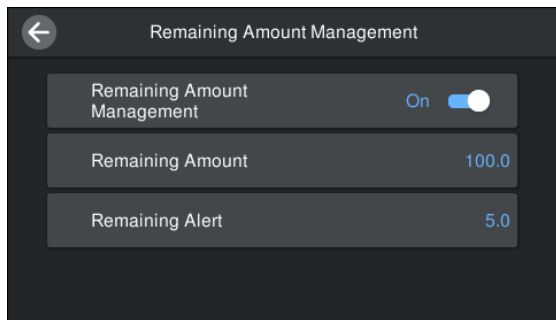
If the direction is different, press **Roll Winding Direction** to change the setting.



- 3** When loading media that has been partially used and has a remaining media value printed on it, enter the value into the printer.

Press **Remaining Amount Management**, then **Remaining Amount** and enter the value.

If **Remaining Amount Management** is set to **off**, you cannot set **Remaining Amount**.



Note:

Two functions are enabled when Remaining Amount Management is set to On

The following two functions give you a rough idea of the amount of media available before printing, making it easier to know when media requires replacement.

- Showing Amount of Media Remaining**
The control panel display shows the approximate amount of media remaining based on the length set for the media and the amount used during printing.
- Remaining Alert**
A warning is displayed when the amount of media remaining reaches a specified level.

- 4** Follow the on-screen instructions. When loading the media in the auto take-up reel unit, press **Prepare for Take-up**.

See the following for information on loading media in the auto take-up reel unit.

[🔗 “Using the Auto Take-up Reel Unit” on page 48](#)

If you are not using the auto take-up reel unit, press **Complete**.

After a moment, **Ready to print.** is displayed on the screen, and you can start printing. Send the data you want to print from the computer.

Using the Auto Take-up Reel Unit

The auto take-up reel unit automatically takes up media as it is printed.

The auto take-up reel unit for this printer can take up paper in either of the directions shown below.

Printed side out
(recommended)



Printed side in



Taking-up with printed side out places the printed surface on the outside of the roll.

Taking-up with printed side in places the printed surface on the inside of the roll.

You can check the procedure in a video on YouTube.

[Epson Video Manuals](#)

Basic Operations



Caution:

- ❑ Follow the instructions in the manual when loading media or roll cores or removing media from the take-up roll. Dropping media, roll cores, or take-up rolls could result in injury.
- ❑ Be sure that your hands or hair do not get caught in the media feeding unit or the auto take-up reel unit while it is operating. Failure to observe this precaution could result in injury.

Getting Ready

Make sure you are using the roll core that is longer than the width of the media.

This ensures that the media can be correctly taken-up without extending beyond the edges of the roll core.

Prepare the included paper tape.

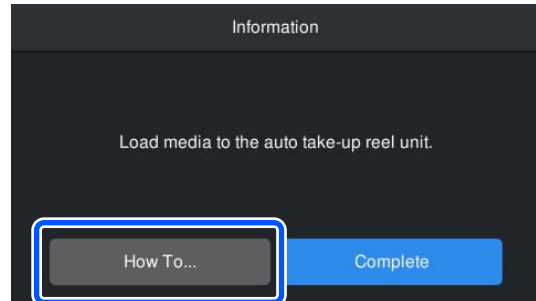
Due to the following advantages, we recommend using paper tape to attach the media to the take-up roll core.

- ❑ It helps prevent lateral misalignment and media from moving around, ensuring stable print length for each job.
- ❑ It minimizes media waste.

Loading into the Auto Take-up Reel Unit

When you press **Feed to Take-up Position** on the screen when you have finished loading media, the following screen is displayed.

Press **How To...** on the screen to load the media into the auto take-up reel unit while checking the procedure on the panel's screen. Follow the on-screen instructions.



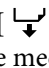
You can also watch the video on YouTube.

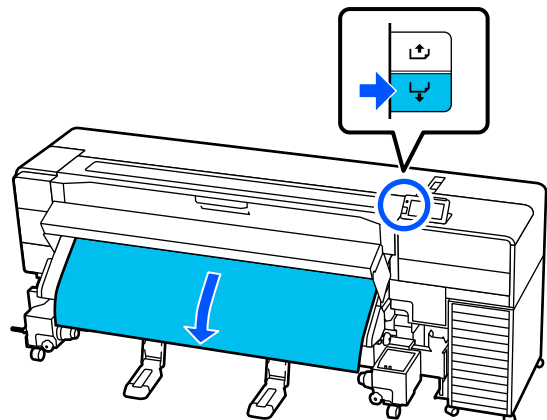
[Epson Video Manuals](#)

When Paper Tape is Unavailable

When the paper tape supplied runs out, purchase commercially available paper tape that is 20 to 25 mm (7.87 to 9.84 in.) wide and does not easily stretch or tear. When paper tape is unavailable, you can substitute it with media cut to a width of 20 to 25 mm (7.87 to 9.84 in.) and a length of approximately 70 cm (27.55 in.).

Attaching when paper tape is unavailable

- 1 Hold down the [] button on the control panel to feed the media to the media holder position.

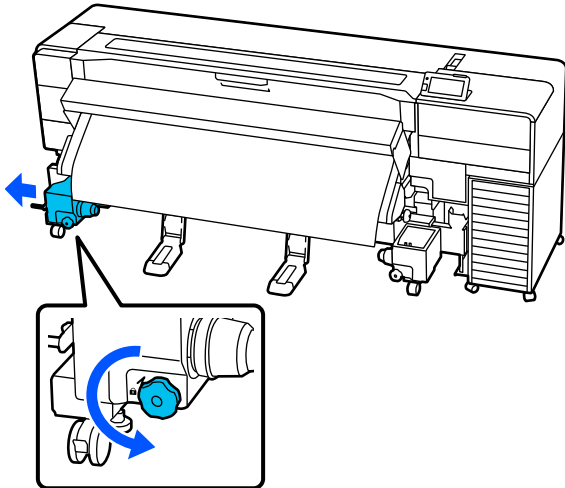


Basic Operations

! Important:

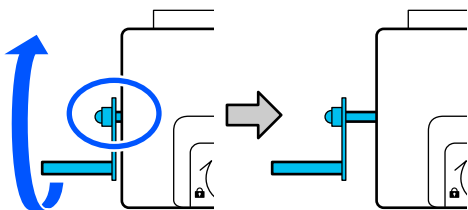
Do not pull the media by hand. Pulling by hand can cause the media to twist during the take-up process.

- 2** Loosen the locking screw on the left media holder and move it out.

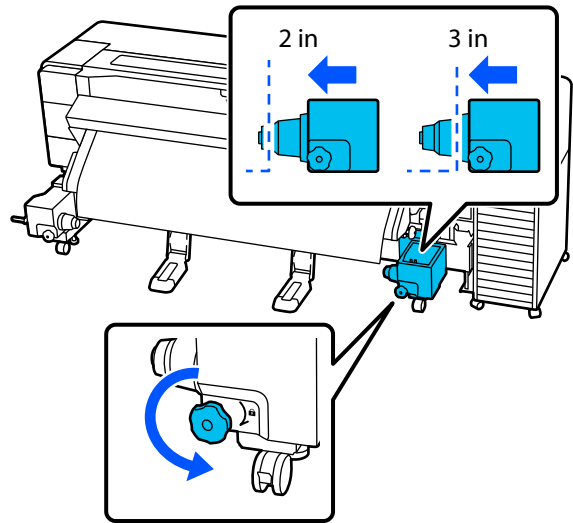


! Important:

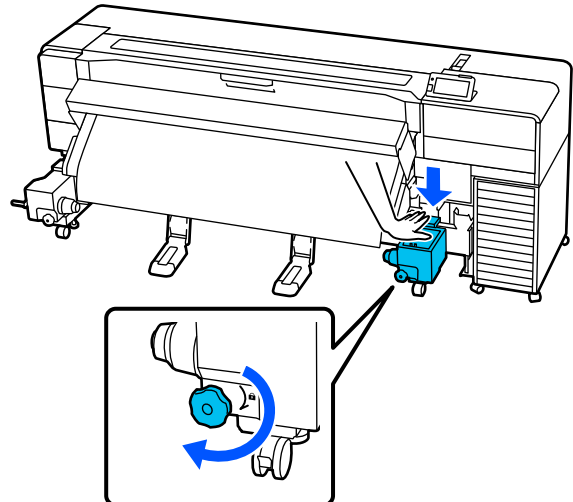
If the shaft of the media holder handle is not visible, rotate the handle toward you until it cannot be turned any further. If the shaft of the handle is not visible, the roll core cannot be installed correctly.



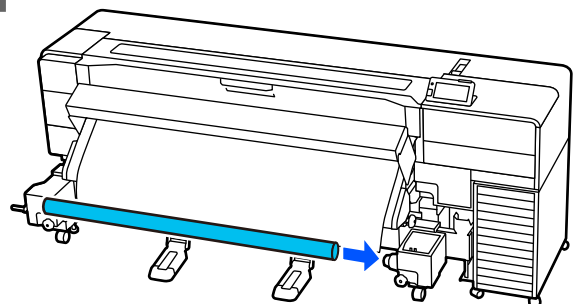
- 3** Loosen the locking screw on the right media holder and move it to the loading position that matches the inner diameter of the roll core.



- 4** While pressing down on the media holder, securely tighten the locking screw.

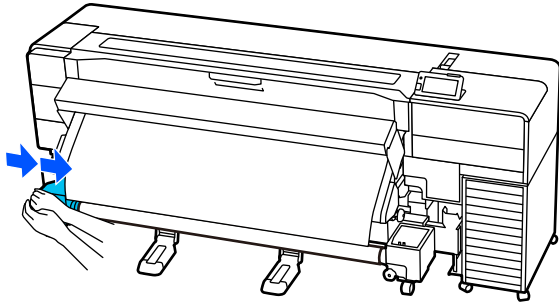


- 5** Insert the roll core into the right media holder.

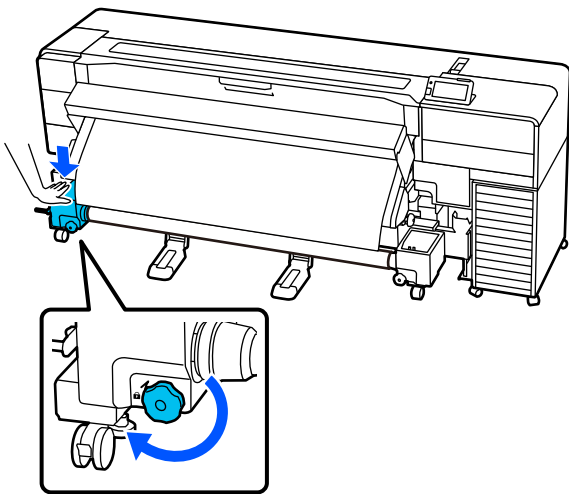


Basic Operations

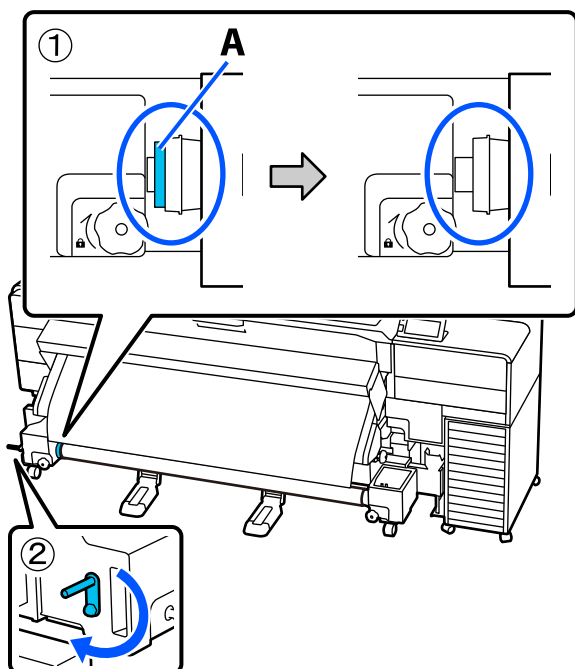
- 6** Insert the left media holder into the roll core and press it against the roll core twice.



- 7** While pressing down on the media holder, securely tighten the locking screw.



- 8** Turn the handle until the part labeled A in the following illustration is fully inserted.

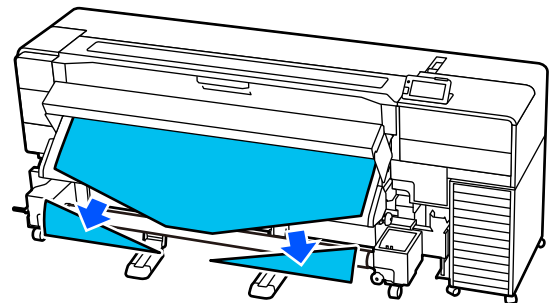
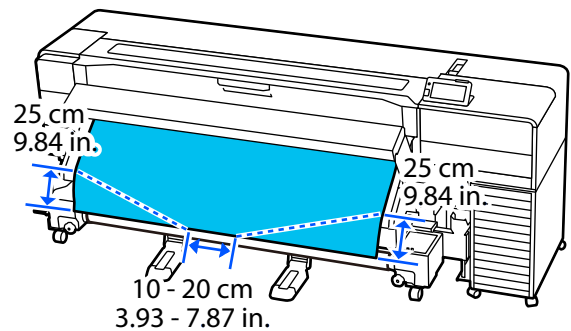


! Important:

Once the part labeled A cannot be seen, do not push it in any further. If it is inserted too far, the media will be taken up incorrectly.

- 9** Cut the corners so that both the left and right sides are at least 25 cm (9.84 in.) high, leaving the center of the media with 10 to 20 cm (3.97 in. to 7.87 in.) remaining.

Cutting the left and right corners of the media helps prevent them from bending and getting caught during the initial take-up, ensuring it is taken-up evenly.



Next, see the following.

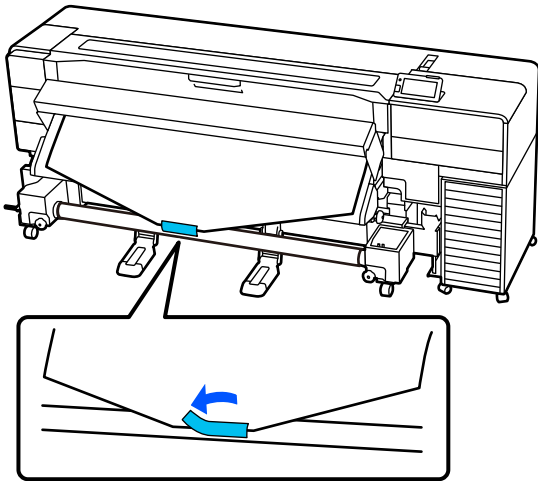
"Taking-up when paper tape is unavailable" on page 52

Basic Operations

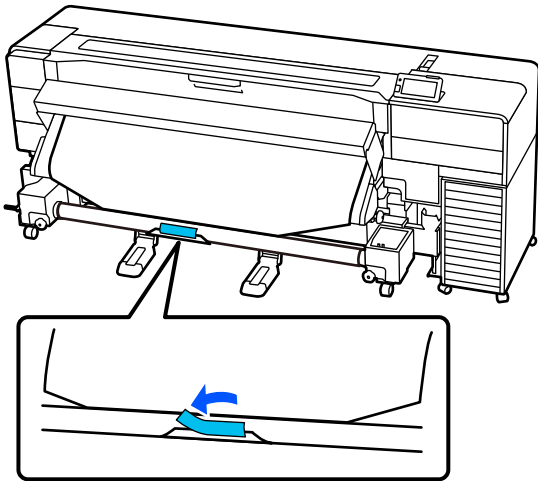
Taking-up when paper tape is unavailable

- 1 While pulling the center of the media straight down, attach it to the take-up roll core using commercially available adhesive tape in the take-up direction.

When the printed side is out

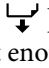


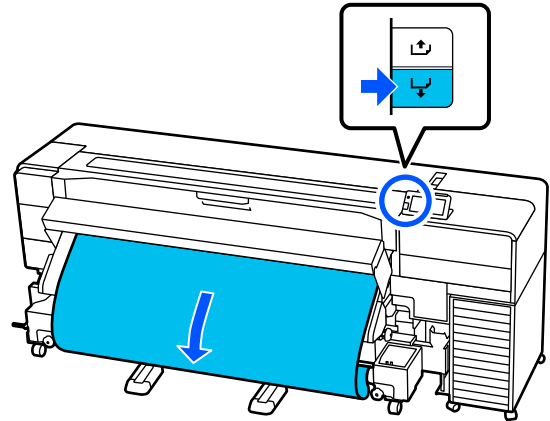
When the printed side is in



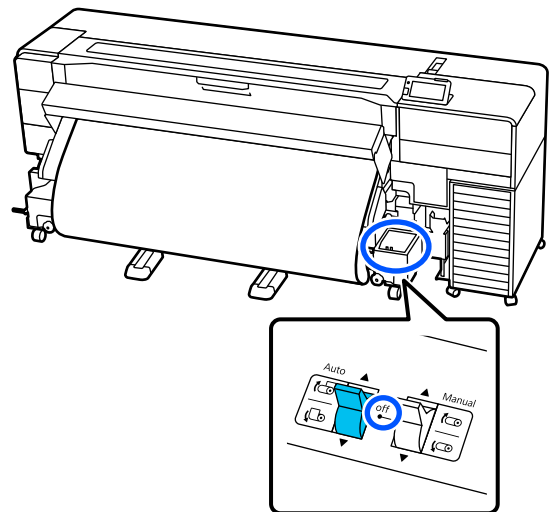
! **Important:**

Make sure the media is taut when you attach it to the take-up roll core. The media may move around during take-up if it is attached while it is slack.

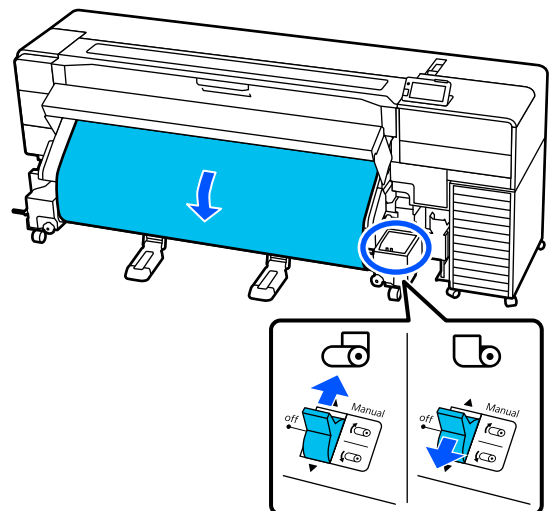
- 2 Hold down the [] button on the control panel to feed out enough media for approximately one complete turn of the take-up roll core.



- 3 Flip the Auto switch to Off.

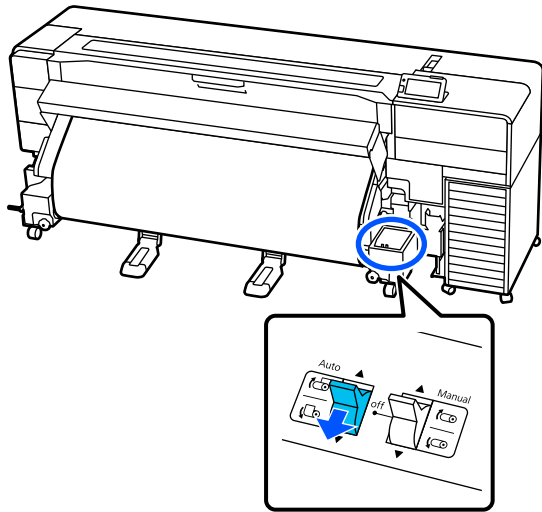


- 4 Position the Manual switch based on the take-up direction and take-up the media around the roll core for one complete turn.

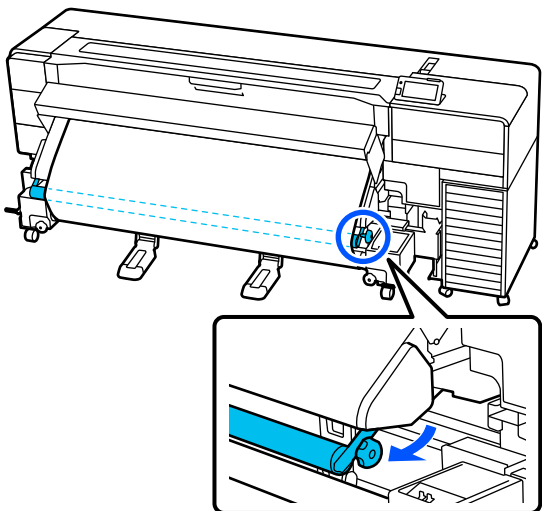


Basic Operations

- 5** Set the Auto switch to match with the take-up direction.

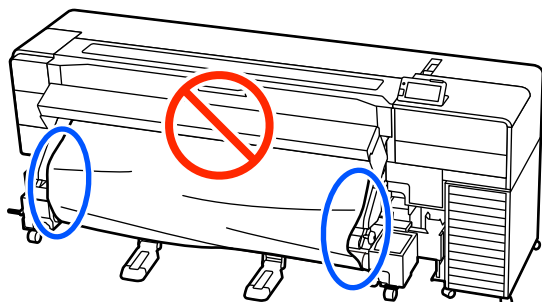


- 6** Pull out the tension bar until it lightly touches the media.



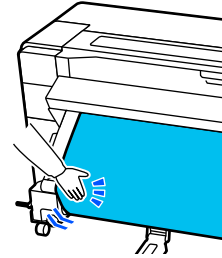
- 7** Check that the media is installed without any warping.

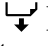
If the tension on the left and right of the media differs, as shown in the circled areas in the illustration below, it will not be taken-up correctly. If either side is slack, start again from step 1.

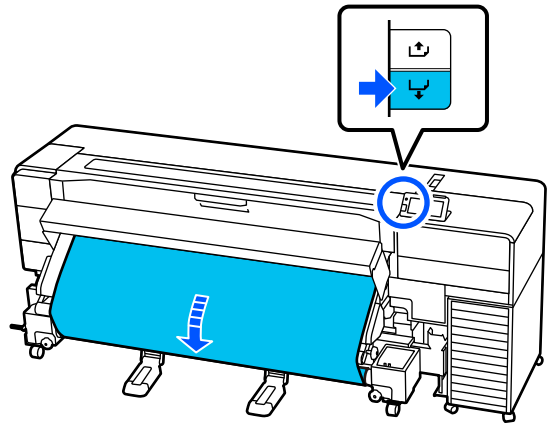


Note:

You can also check for tension differences by gently tapping both ends of the media, as shown in the following illustration.



- 8** Hold down the [] button until the media is taken-up one or two times.




Replacing the Media

This section explains how to replace media with another media while there is still media remaining, and how to replace media with new media when the media ends.

See the following according to your needs.

 [“Replacing Expended Media” on page 53](#)

 [“Replacing Media that is not Expended” on page 54](#)

Replacing Expended Media

If the media runs out during printing, one of the following media out errors is displayed on the control panel screen, depending on how the media ran out.

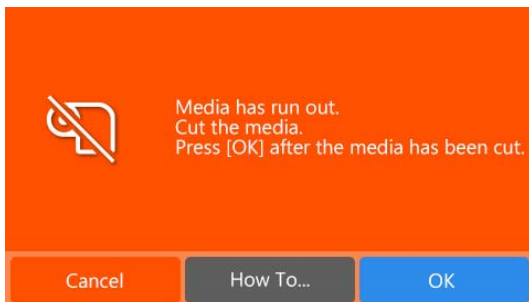
Basic Operations

- When the end of the media has come off the roll core



Press **How To...** to remove the roll core of the finished media and the rewind media while checking the procedure on the panel's screen. Follow the on-screen instructions.

- When the end of the media is still attached to the roll core



Open the printer cover and remove the roll core of the finished media and the rewind media while checking the procedure on the panel's screen.

To continue printing, load new media without canceling the print job. When new media is loaded and the printer is ready to print, the rest of the job is printed.

[“Loading Media” on page 46](#)

Replacing Media that is not Expended

Follow the steps below when replacing media that is still being used.

1. Cut the media.



2. Remove the media.



3. Remove the rewind media.

[“Removing the Take-up Roll” on page 55](#)

Settings for cutting media

If the following settings are set to **On** in advance, when the media is fed to the cutting position, the remaining amount of media and the printer's information are printed, and then the end of the media is fed to the cutting position.

- **Remaining Amount Management**
- **Media Remaining Information for Information Printing at Media Cut**
- **Print Information for Information Printing at Media Cut**

To print the remaining amount of media, set **Remaining Amount Management** and **Media Remaining Information** to **On**. You can print the length of the unprinted media on the media that you will remove, and then the next time you load this media, you can enter the printed length in the Remaining Amount Management setting for accurate management of the amount of media remaining.

Information about the printer, such as the registered media number at the time of printing, is printed to help you load the media the next time it is used.

See the following for details about Remaining Amount Management and Information Printing at Media Cut.

[“Media Settings Menu” on page 112](#)


[“General Settings Menu” on page 101](#)

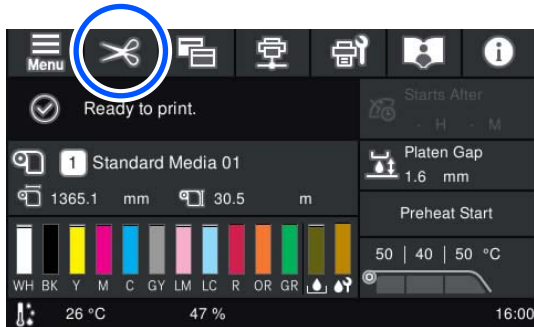
Cutting media

1

Confirm that the printer is ready to print.

Basic Operations

- Press  (feed media to cutting position) on the control panel screen.



- Press **Feed to Cut Position** to feed the end of the print to the cutting position.



Changing **Feed Position Adjustment** allows you to adjust the feed rate relative to the standard value. If you want to adjust the margins for the print results, adjust the feed position, and then press **Feed to Cut Position**.

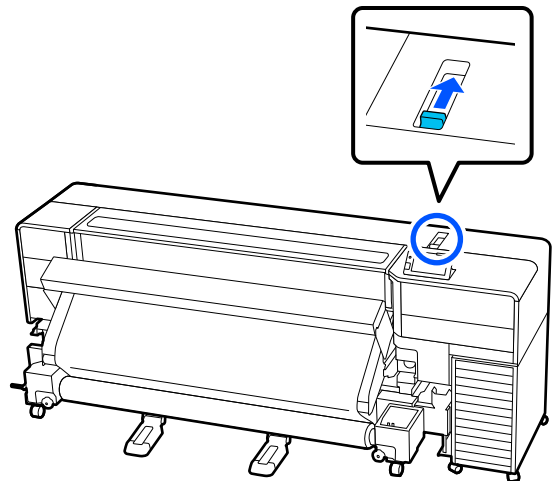
- Press **How To...** to remove the rewind media while checking the procedure on the panel's screen.

Caution:

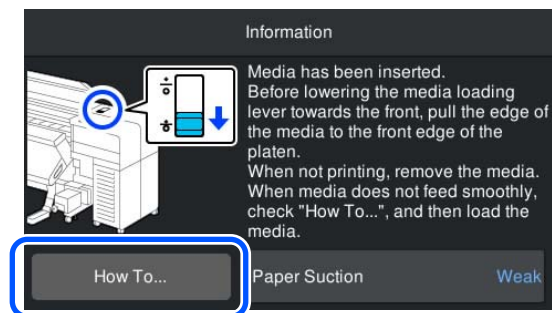
- The heaters and media edge plate may be hot; observe all necessary precautions. Failure to observe the necessary precautions could result in burns.
- When cutting media, be careful not to cut your fingers or hands with the cutter or other blades.

Removing Media

- Flip the media loading lever to the back.



- Press **How To...** and follow the on-screen instructions to remove the media.



Removing the Take-up Roll

You can also watch the procedure on YouTube.

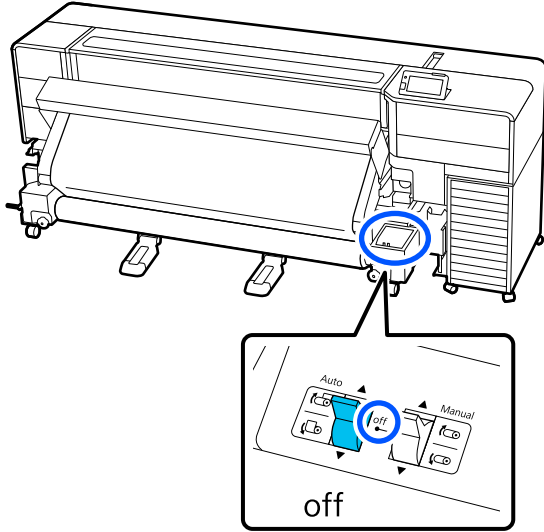
[Epson Video Manuals](#)

Caution:

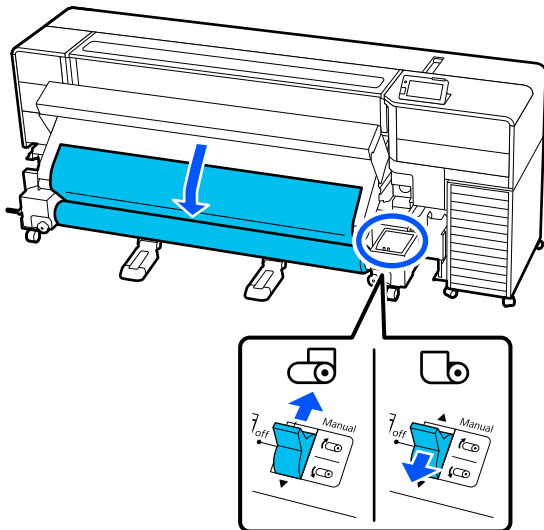
- If the media weighs over 20 kg (44 lbs.), it should not be carried by one person. When loading or removing the media, use at least two people.
- Follow the instructions in the manual when loading media or roll cores or removing the take-up roll. Dropping media, roll cores, or take-up rolls could result in injury.

Basic Operations

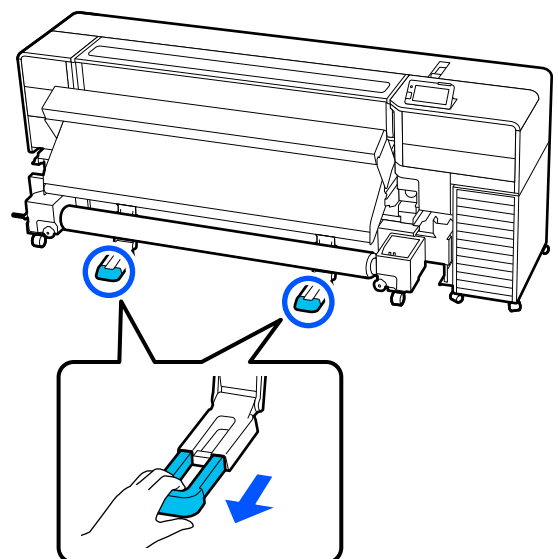
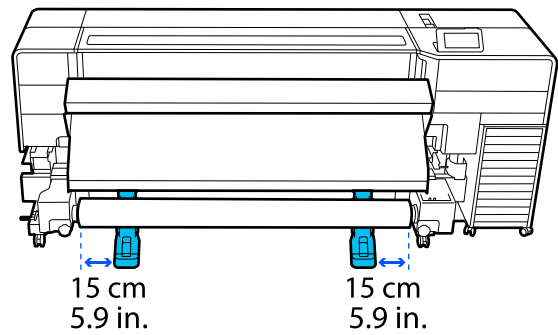
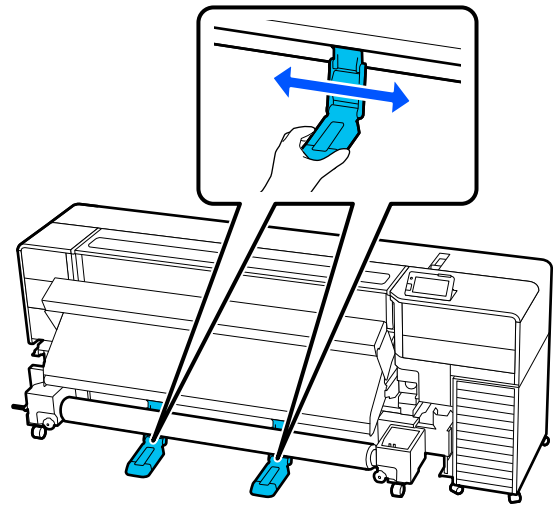
- 1** Flip the Auto switch to Off.



- 2** Take up the cut media completely by positioning the Manual switch according to how the media is rolled.

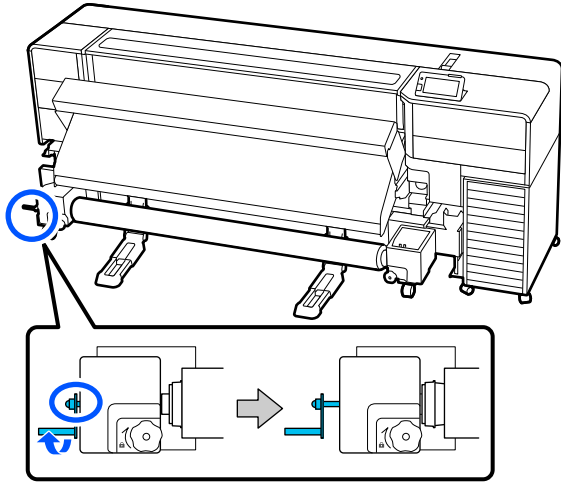


- 3** Move the media supports until they are about 15 cm (5.9 in.) inward from the left and right edges of the media, and then pull them out.

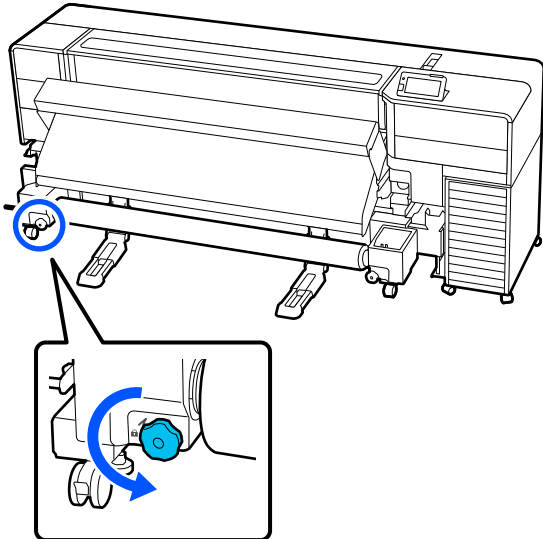


Basic Operations

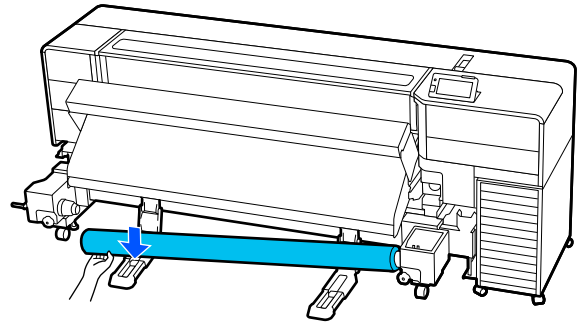
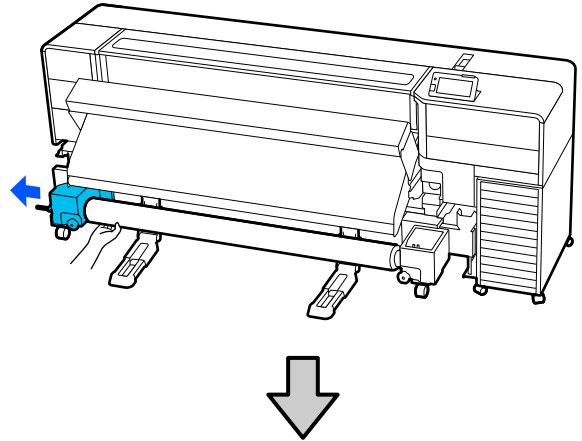
- 4** Rotate the handle for the media holder on the left counterclockwise until it stops.



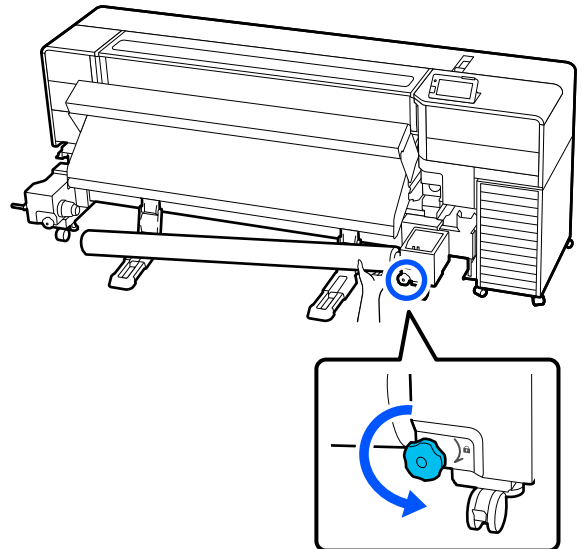
- 5** Loosen the locking screw.



- 6** While supporting the media from below with your hand to prevent it from falling, pull out the media holder and lower the media onto the media supports.

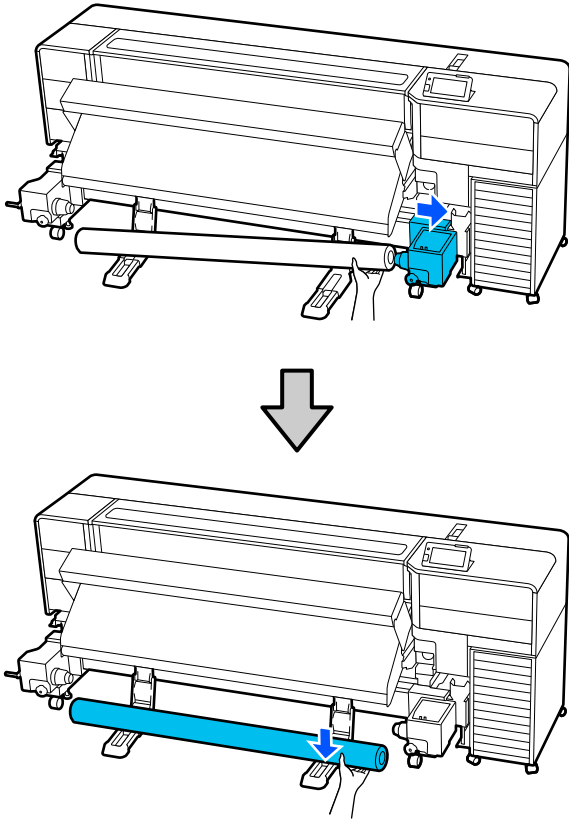


- 7** Loosen the media holder locking screw on the right.

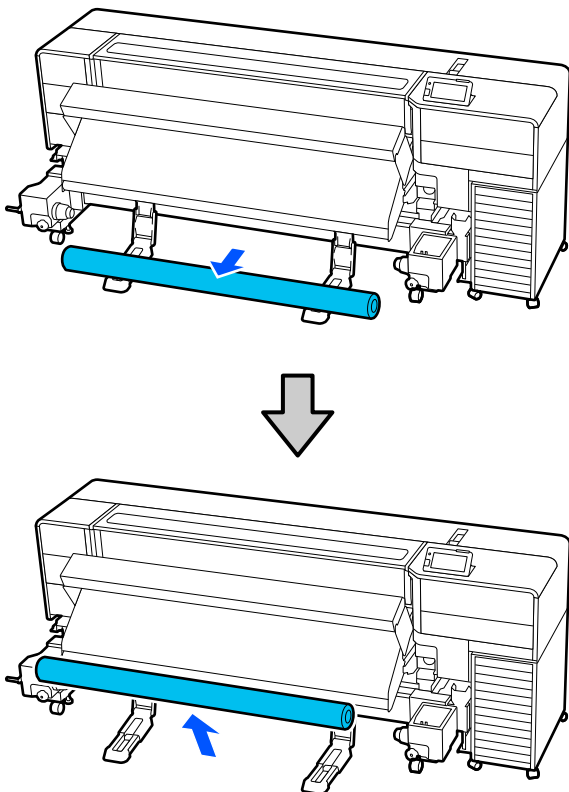


Basic Operations

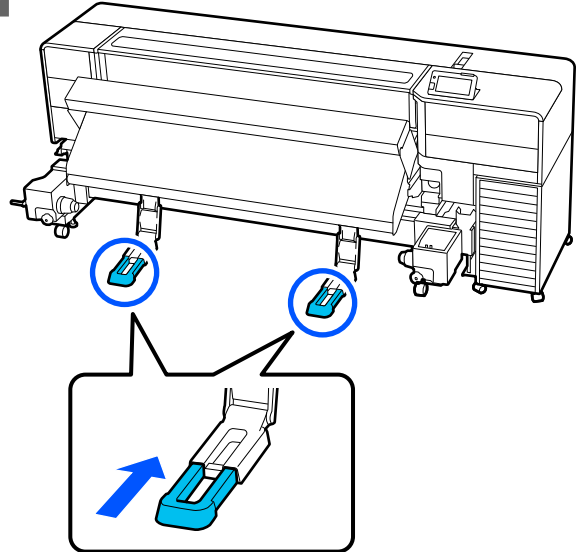
- 8** While supporting the media, pull out the media holder and lower the media onto the media supports.



- 9** Carefully roll the media toward you on the media supports, and then remove it.



- 10** Push in the media supports.



Before Printing

To maintain print quality, perform the following inspection before starting work each day.

Checking the amount of ink remaining

If the ink level falls below the minimum threshold during printing, you can continue printing by replacing the relevant ink supply units. However, replacing the ink during printing may result in color variation depending on how the ink dries. We recommend replacing any ink supply units running low with new ones in advance when you plan to print a large volume of material. You can reinstall and use the removed ink supply units again.

You can check the remaining ink level using the icons on the screen. [☞ “Understanding the Display” on page 20](#)

Replacing Ink Supply Units [☞ “Replacement Procedure” on page 79](#)

Shaking the White ink

If a message is displayed informing you that it is time to shake the ink, shake the ink.

White ink tends to sediment more easily than other colors (where components settle at the bottom of the liquid). Sedimentation can lead to reduced print quality and clogged nozzles.

Basic Operations

[🔗 “Shaking the Ink Supply Units Periodically” on page 77](#)

Checking the nozzle check pattern

You can check the status of the nozzles by printing a nozzle check pattern.

Perform Head Cleaning if parts of the printed nozzle check pattern are faint or missing.

Printing a Check Pattern [🔗 “How to Print a Nozzle Check Pattern” on page 84](#)

Head Cleaning [🔗 “Head Cleaning” on page 85](#)

Optimizing Media Settings (Automatic Adjustment)

You need to optimize the media settings in the following cases. To optimize the media settings, perform **Automatic Adjustment** from **Print Adjustments**.

When media settings for EMX files are registered to the printer

When you download an EMX file using Epson Edge Print or Epson Edge Dashboard and register the media settings from the EMX file using Epson Edge Print or Epson Edge Dashboard, the media settings are optimized to correct for the individual characteristics of the media you are using and your printer. This ensures optimal printing results for your specific combination of media and printer.

When changing Advanced Settings after saving Media Settings

Notes on Adjustments

Adjustments are made according to the media loaded in the printer.

- ❑ Correctly load the media on which adjustment is necessary into the printer in the same condition as when actually printing.
- ❑ Attach the media to the auto take-up reel unit when printing with the auto take-up reel unit.

- ❑ Be sure to select the registered media number that contains the settings corresponding to the loaded media.

Make sure nozzles are not clogged before adjusting.

If nozzles are clogged, adjustments will not be performed correctly.

Print and visually inspect the check pattern, and then perform Head Cleaning if necessary.


Automatic Adjustment Procedure

For Automatic Adjustment, Media Feed Adjustment and Print Head Alignment are performed automatically while printing the pattern.

The approximate length of the media required to print the test pattern is given below.
Approx. 410 mm (16.14 in.)

Depending on the media you are using, Automatic Adjustment may not be possible. If an error occurs or you notice banding or graininess in the print results even after performing Automatic Adjustment, perform **Manual Adjustment** from the Print Adjustments menu.

[🔗 “When Automatic Adjustment Cannot be Performed \(Manual Adjustment\)” on page 60](#)

- 1 Check that the printer is ready to print, and load the media according to the actual usage conditions.
Make sure the nozzles are not clogged.
[🔗 “Notes on Adjustments” on page 59](#)
- 2 Press  (menu), and then press **Media Settings - Print Adjustments - Automatic Adjustment**.
- 3 Press **Auto Adjustment**.
- 4 Press **Start**.
Auto adjustment starts, and an adjustment pattern is printed.
Wait until adjustment is complete.

Basic Operations

When Automatic Adjustment Cannot be Performed (Manual Adjustment)

After performing **Media Feed Adjustment**, continue with **Print Head Alignment**. For both adjustments, visually check the printed pattern and enter the measured values for adjustment.

Media Feed Adjustment

This menu is also used when banding (horizontal banding, tint unevenness, or stripes) is detected in printing results.

You can select from **Manual (Standard)** or **Manual (Measurement)** to perform adjustments.

Manual (Standard)

Normally, select this option to perform adjustments.

[☞ “Selecting settings for Manual \(Standard\)” on page 60](#)

Manual (Measurement)

This adjustment is for accurately printing the print length on uneven media, such as canvas, or on material that bleeds through easily, such as fabric.

[☞ “Selecting settings for Manual \(Measurement\)” on page 60](#)

Selecting settings for Manual (Standard)


The approximate length of the media required to print the test pattern is given below.

Approx. 170 mm (6.69 in.)

1 Check that the printer is ready to print, and load the media according to the actual usage conditions.

Make sure the nozzles are not clogged.

[☞ “Notes on Adjustments” on page 59](#)

2 Press  (menu), and then press **Media Settings - Print Adjustments - Manual Adjustment - Media Feed Adjustment**.

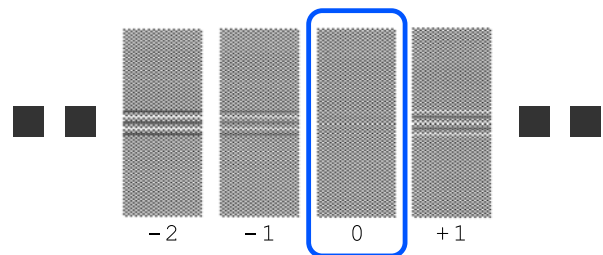
3 Press **Manual (Standard)**.

4 Press **Start**.

An adjustment pattern is printed. Wait until printing is complete.

5 Check the printed adjustment pattern.

Two groups of adjustment patterns, 1-A and 1-B, are printed. Select the pattern with the least amount of overlapping or gaps for each group. For example, you would select "0" for the pattern below.



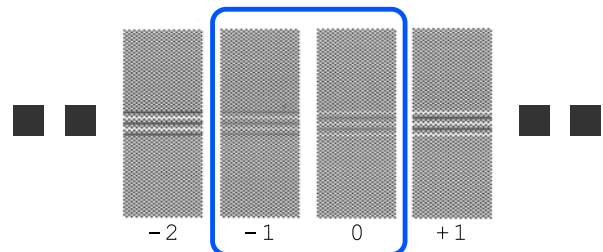
If all of the adjustment patterns contain overlapping or gaps, select the pattern with the least overlaps or gaps.

6 The screen for entering confirmation results for the adjustment pattern is displayed.

Press \ominus / \oplus to enter the value acquired by multiplying the number of the pattern selected in step 5 by 0.10.

For example, if the selected value is -1, the calculation is -1×0.10 ; therefore, enter "-0.10".

If two patterns in step 5 with the least overlapping or gaps are similar, use the number in between the patterns to calculate the value. For example, you would enter "-0.05" for the pattern below as the calculation is -0.5×0.10 .




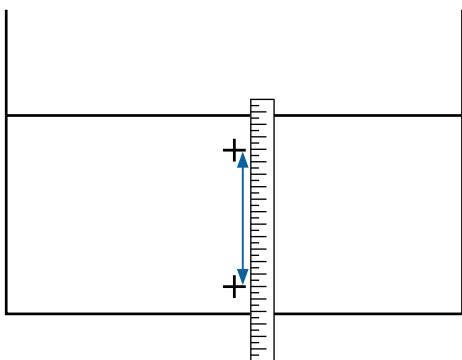
Set the values for 1-A and 1-B, and then press **OK**.

Selecting settings for Manual (Measurement)

The approximate length of the media required to print the test pattern is given below.

Basic Operations

Approx. 820 mm (32.28 in.)


- 1 Check that the printer is ready to print, and load the media according to the actual usage conditions.
Make sure the nozzles are not clogged.
[“Notes on Adjustments” on page 59](#)
 - 2 Press  (menu), and then press **Media Settings - Print Adjustments - Manual Adjustment - Media Feed Adjustment**.
 - 3 Press **Manual (Measurement)**.
 - 4 Press **Start**.
An adjustment pattern is printed. Wait until printing is complete.
When printing is complete, the end of the print is fed to the cutting position.
 - 5 Check the printed adjustment pattern.
Cut after the adjustment pattern, spread it out on a flat surface, and then measure it using a scale. Use a scale that can measure in increments of 0.5 mm or shorter.
- 
- 6 The screen for entering confirmation results for the adjustment pattern is displayed.
Set the value measured in step 5, and then press **OK**.

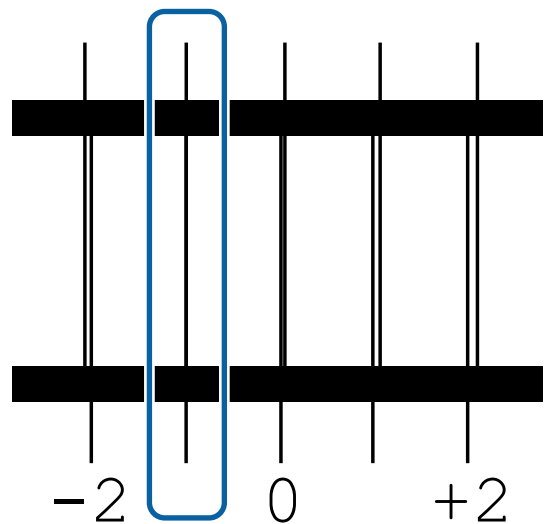
Print Head Alignment

You can also perform this if you notice graininess in the print results.

The approximate length of the media required to print the test pattern is given below.

Approx. 210 mm (8.26 in.)

- 1 Check that the printer is ready to print, and load the media according to the actual usage conditions.
Make sure the nozzles are not clogged.
[“Notes on Adjustments” on page 59](#)
- 2 Press  (menu), and then press **Media Settings - Print Adjustments - Manual Adjustment - Print Head Alignment**.
- 3 Press **Start**.
An adjustment pattern is printed. Wait until printing is complete.
- 4 Check the printed adjustment pattern.
Eight blocks, #1 A to D and #2 A to D, are printed. Select the finest lined pattern (all lines overlap) for each block. For example, you would select "-1" for the block shown below.



- 5 The screen for entering confirmation results for the adjustment pattern is displayed.
Using \ominus / \oplus , enter the pattern number recorded in step 4, and then press **OK**.
Set the number according to the number of check patterns.

Changing Settings During Printing

You can change the settings for the adjustment items displayed on the home screen during printing.

Basic Operations

[“Understanding and Operating the Display” on page 20](#)

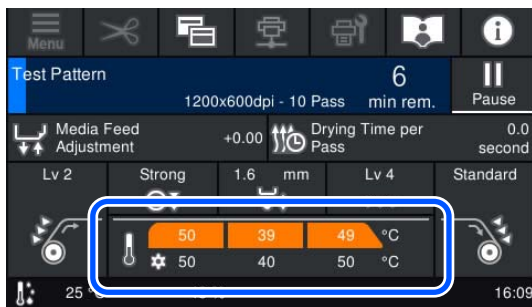
The following example explains how to change the temperature setting for the heater, and how to correct the media feed amount when banding occurs in the printouts.

Changing the Heater's Temperature

- 1 Press the Temperature area on the adjust while printing screen.

The screen for changing the temperature setting for each heater is displayed.

You can also change this setting by pressing the Temperature area on the Status Indicator screen.



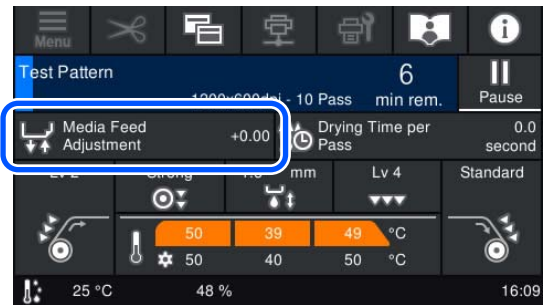
- 2 Choose a value.
Press \ominus / \oplus to change the temperature.
- 3 Press \leftarrow to return to the home screen.

Note:
The time needed for the heaters to reach the specified temperatures varies with the ambient temperature.

Correcting Banding

When you want to correct banding during printing, correct the media feed amount.

- 1 During printing, press the following area on the adjust while printing screen.



If the adjust while printing screen is not displayed, press (switch screens) on the Home screen.

- 2 Press \uparrow / \downarrow on the screen, or press the \uparrow / \downarrow buttons on the control panel to change the value.

If the feed amount is too small, black bands (dark stripes) appear; press \downarrow (or the \downarrow button) to adjust the feed amount upwards.

In contrast, if the feed amount is too large, white bands (pale stripes) appear; press \uparrow (or the \uparrow button) to adjust the feed amount downwards.

- 3 Check the printing result. If you are not satisfied with the results, repeat step 2.

The setting for the currently selected registered media number is updated.

- 4 Press \leftarrow to return to the home screen.

Note:
The results of changing the settings are undone if you perform any of the following operations.

- Restart **Media Feed Adjustment**.
- Execute **Clear All Data and Settings**.

When you have finished the target printing, we recommend performing **Print Adjustments** from the settings menu.

[“Optimizing Media Settings \(Automatic Adjustment\)” on page 59](#)

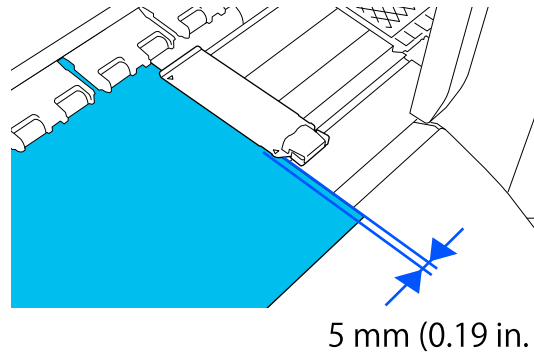
Printable Area

Left and Right Edge Positions of Media

The left and right edges of media recognized by the printer varies as shown below according to the Width Detection settings.

Width Detection On : The printer automatically detects the left and right edges of the loaded media.

When media edge plates are attached, the edge of the media is recognized as within 5 mm (0.19 in.) of the left and right edges of the media.

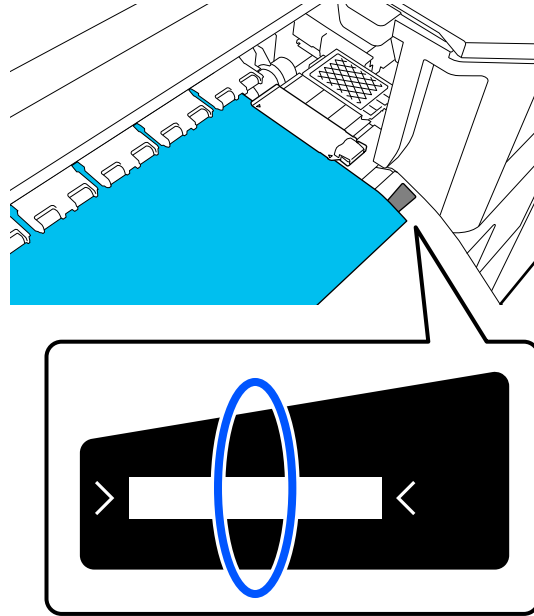


The edges of the media are not detected correctly if the media edge plates are not attached correctly.

 [“Loading Media” on page 46](#)

Basic Operations

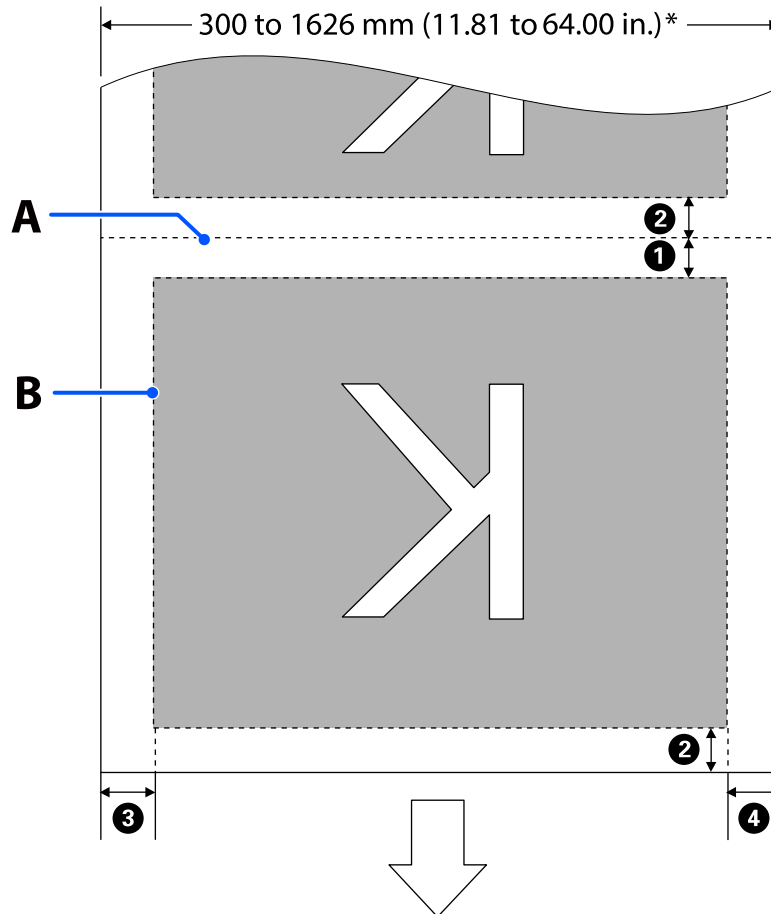
Width Detection Off : The center of the rectangle on the label at the front of the platen heater (shown in the illustration below) is recognized as the standard position for the right edge of the media. From the standard position for the right edge of the media to the number set when Width Detection is **Off** (300 to 1625.6) is recognized as the left edge of the media.



Printable Area and Image Print Area

When not using the Information Printing function

As shown in the illustration, the printable area can be used as an image print area for all jobs.



A Media cut position

B Printable area

■ Image print area

* When **Width Detection** is set to **Off**, the set value (300 to 1626 mm [11.81 to 64.00 in.]) is applied.

The arrow indicates the feed direction.

See the following table for more details on ① to ⑧.


Basic Operations

Position	Explanation	Available Setting Range
① Trailing edge *1, *3	Half the value selected for Margin Between Pages in the printer's settings menu. If the settings are less than 10 mm (0.39 in.), the settings are switched to 5 mm (0.19 in.).	0 to 999 mm (0 to 39.33 in.) (Setting for Margin Between Pages)
② Leading edge *1, *2, *3	Half the value selected for Margin Between Pages . If the setting is less than 10 mm (0.39 in.), the value will be automatically reduced by 5 mm. When Skip Wrinkled Media is set to On, if the setting is greater than half of the margin between pages, a leading edge margin is created for the Skip Wrinkled Media setting. (Except during continuous printing)	
③ Right edge *3, *4	The total of the values selected for Print Start Position and Side (Right) . The default setting for Print Start Position is 0 mm and Side (Right) is 5 mm (0.19 in.). When media edge plates are used, a value to which 5 mm (0.19 in.) is added is applied as the actual margin since within 5 mm (0.19 in.) of the edge is recognized as the media edge.	3 to 1025 mm (0.11 to 40.35 in.)
④ Left edge *3, *4	The value selected for Side (Left) . The default setting is 5 mm (0.19 in.). When media edge plates are used, a value to which 5 mm (0.19 in.) is added is applied as the actual margin since within 5 mm (0.19 in.) of the edge is recognized as the media edge.	3 to 25 mm (0.11 to 0.98 in.)

- *1 The set margin and the actual print results may differ depending on the RIP being used. Contact the RIP manufacturer for more information.
- *2 With **Width Adjustment** in the settings menu for the printer, you can adjust the margins in a range between -10 mm and +10 mm (-0.39 in. and 0.39 in.).
- *3 This may be available in the RIP depending on the RIP software being used. Contact the RIP manufacturer for more information.
- *4 Note the following points when setting margins.
 - Leave margins of 10 mm (0.39 in.) or more when using media edge plates. Narrower margins could result in the printer printing on the media edge plates.
 - If the total of the print data width and set left and right margins exceeds the printable area, a portion of the data will not be printed.

Note:

If the following points are not observed when **Width Detection** is set to **Off**, printing may occur outside the left and right edges of the media. Ink used outside the edges of the media will stain the inside of the printer.

- Ensure that the print data width does not exceed the loaded media width.
- When media is loaded to the left of the standard position for the right edge, align the **Print Start Position** setting with the position where the media set.
 ["General Settings Menu" on page 101](#)

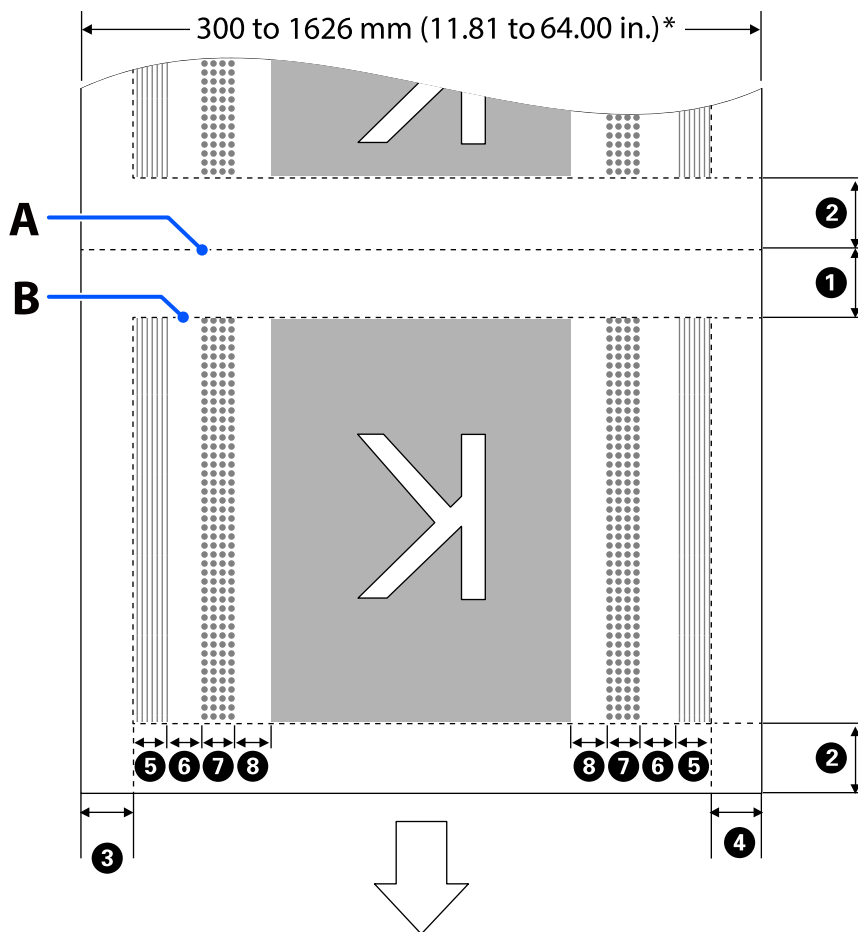
Basic Operations

When using the Information Printing function

As shown in the illustration, the size of the left and right sides of the image print area is reduced by the amount of information to print.

Areas to be used to print information vary according to the settings. Here, an example of the smallest image print area for the following settings is shown.

- Print position for the Event Marking of the Information Printing function: Left and right
- Print position for the nozzle check patterns of the Information Printing function: Left and right



A Media cut position

B Printable area

■ Image print area

||||| Print area of nozzle check patterns

●●●● Event Marking area

Basic Operations

* When **Width Detection** is set to **Off**, the set value (300 to 1626 mm [11.81 to 64.00 in.]) is applied.

The arrow indicates the feed direction.

See the following table for more details on ① to ⑧.

Position	Explanation	Available Setting Range
① Trailing edge *1, *3	Half the value selected for Margin Between Pages in the printer's settings menu. To maintain media feeding accuracy, if the settings are less than 10 mm (0.39 in.), the settings are switched to 5 mm (0.19 in.).	0 to 999 mm (0 to 39.33 in.) (Setting for Margin Between Pages)
② Leading edge *1, *2, *3	Half the value selected for Margin Between Pages . If the setting less than 10 mm (0.39 in.), the value will be automatically reduced by 5 mm. When Skip Wrinkled Media is set to On, if the setting is greater than half of the margin between pages, a leading edge margin is created for the Skip Wrinkled Media setting. (Except during continuous printing)	
③ Right edge *3, *4	The total of the values selected for Print Start Position and Side (Right) . The default setting for Print Start Position is 0 mm and Side (Right) is 5 mm (0.19 in.). When media edge plates are used, a value to which 5 mm (0.19 in.) is added is applied as the actual margin since within 5 mm (0.19 in.) of the edge is recognized as the media edge.	3 to 1025 mm (0.11 to 40.35 in.)
④ Left edge *3, *4	The value selected for Side (Left) . The default setting is 5 mm (0.19 in.). When media edge plates are used, a value to which 5 mm (0.19 in.) is added is applied as the actual margin since within 5 mm (0.19 in.) of the edge is recognized as the media edge.	3 to 25 mm (0.11 to 0.98 in.)
⑤ Nozzle check pattern printing width	24 mm (0.94 in.) when Normal is selected in Pattern Selection . 4 mm (0.15 in.) when Paper Width Saving is selected.	-
⑥ Space between nozzle check patterns and Event Marking	Depending on the setting for the margin between images and the print start position, the margins can be between 3 mm (0.11 in.) and 6 mm (0.23 in.).	-
⑦ Event Marking width	Fixed to 20 mm (0.78 in.).	-
⑧ Space between nozzle check patterns / Event Marking and image	When Print Position is set to Next to the Image , the margin on the right side of the image represents the value selected for Margin Between Images . When it is set to Media End , the value varies according to images and other settings.	0 to 999 mm (0 to 39.33 in.)

*1 The set margin and the actual print results may differ depending on the RIP being used. Contact the RIP manufacturer for more information.

*2 With **Width Adjustment** in the settings menu for the printer, you can adjust the margins in a range between -10 mm and +10 mm (-0.39 in. and 0.39 in.).

Basic Operations

- *3 This may be available in the RIP depending on the RIP software being used. Contact the RIP manufacturer for more information.
- *4 Note the following points when setting margins.
 - Leave margins of 10 mm (0.39 in.) or more when using media edge plates. Narrower margins could result in the printer printing on the media edge plates.
 - If the total of the print data width and set left and right margins exceeds the printable area, a portion of the data will not be printed.

Note:

*If the following points are not observed when Width Detection is set to **Off**, printing may occur outside the left and right edges of the media. Ink used outside the edges of the media will stain the inside of the printer.*

- Ensure that the print data width does not exceed the loaded media width.*
- When media is loaded to the left of the standard position for the right edge, align the **Print Start Position** setting with the position where the media set.*

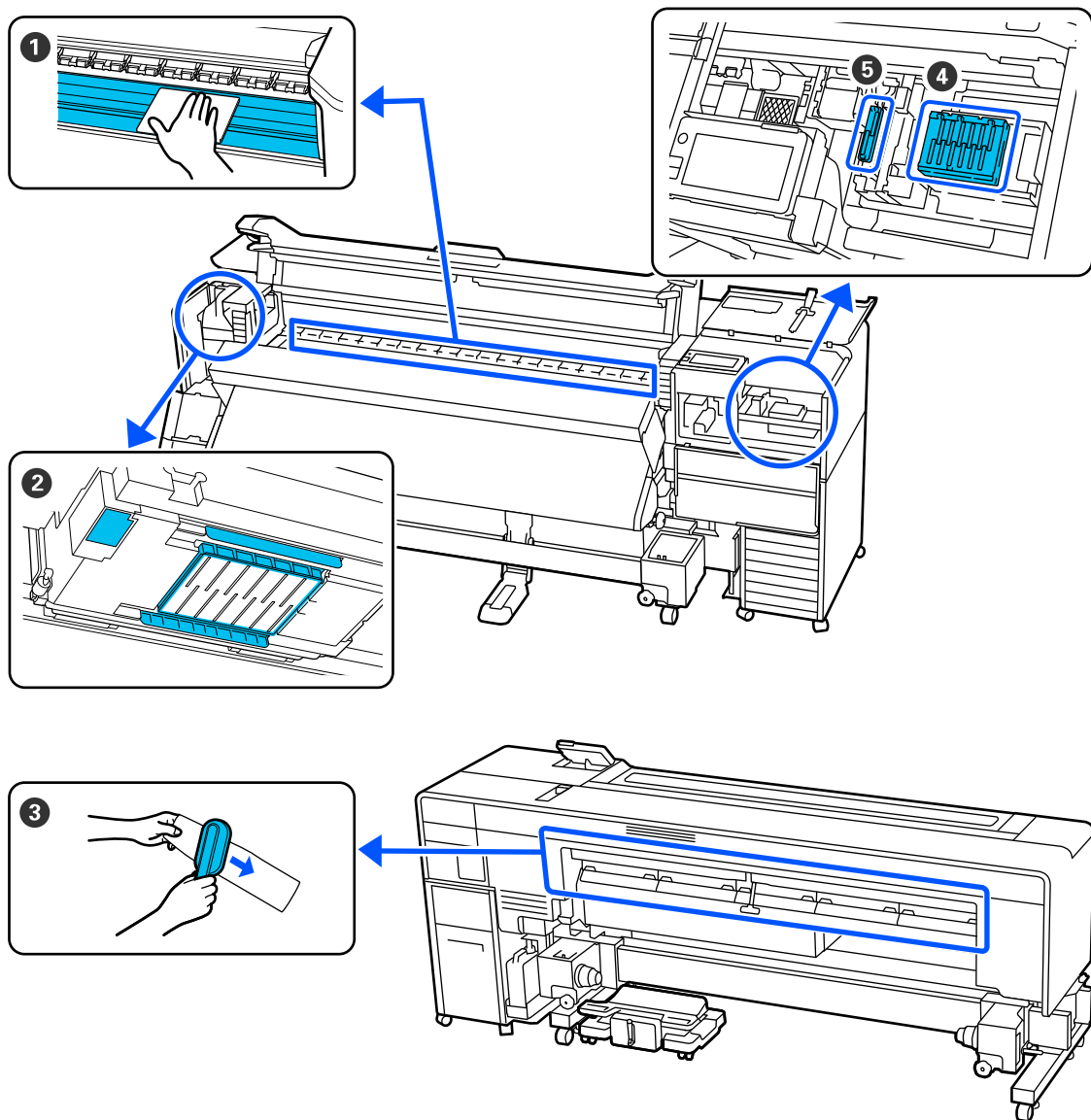
 ["General Settings Menu" on page 101](#)

Maintenance

When to Perform Various Maintenance Operations



Components Requiring Regular Cleaning and Cleaning Timing

If you continue to use the printer without cleaning, it could cause clogged nozzles or ink drops to occur.



When to perform	Component to be cleaned
When starting work every day	① Platen heater and media edge plates 📖 "Daily Cleaning" on page 75

Maintenance

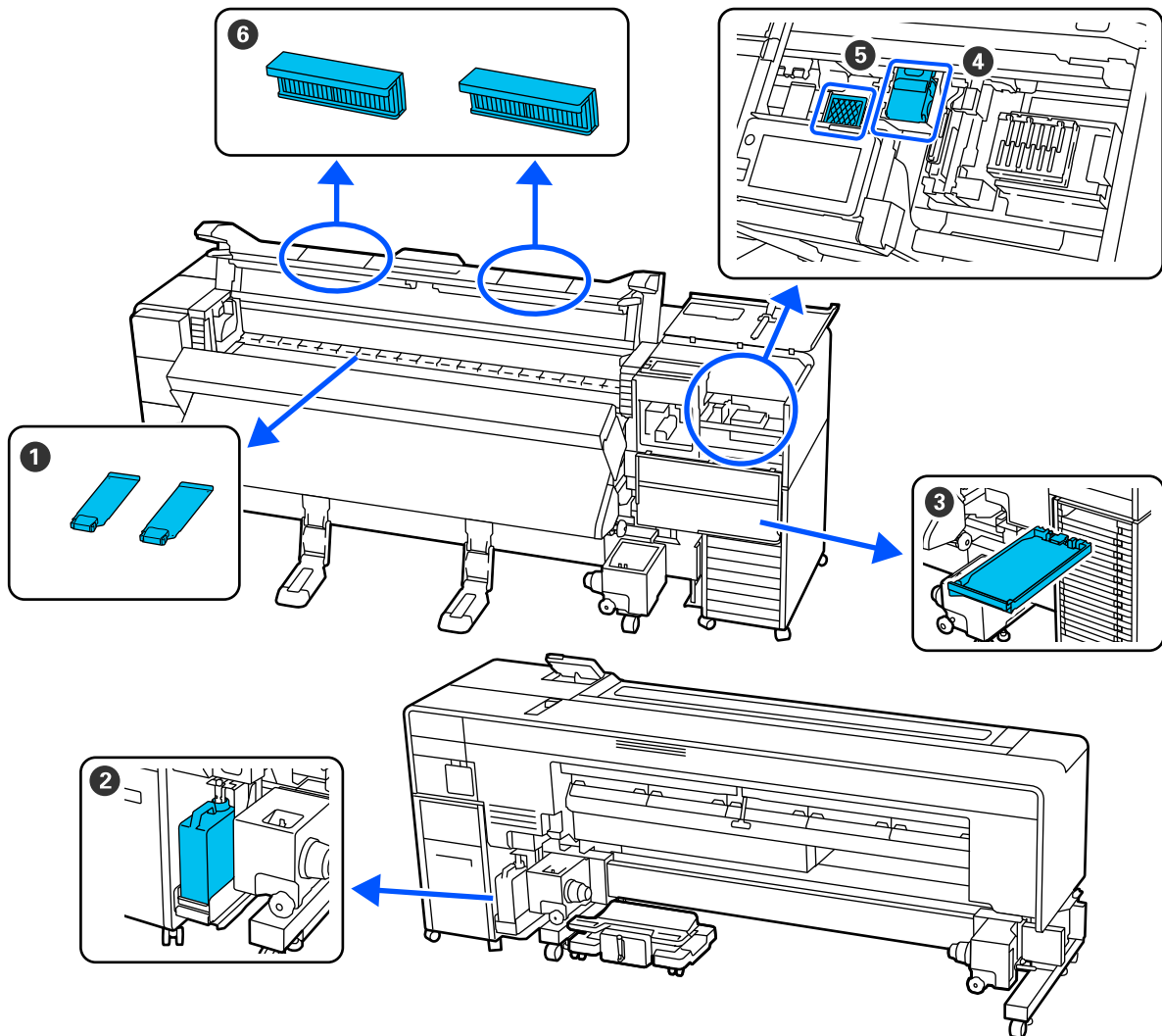
When to perform	Component to be cleaned
When a cleaning message is displayed on the control panel screen (Messages are displayed regularly)	<ul style="list-style-type: none"> ② Around the print head ④ Capping station ⑤ Suction cap <p> "Cleaning Around the Print Head/Area Around the Cap" on page 77</p>
When a cleaning message is displayed on the control panel screen (Messages are displayed regularly)	<ul style="list-style-type: none"> ③ Media cleaner <p> "Cleaning the Media Cleaner" on page 76</p>

 **Important:**

The printer contains precision instruments. If any lint or dust adheres to the nozzles on the print head, print quality will decline.

You may need to perform regular cleaning more frequently depending on the environment and media being used.

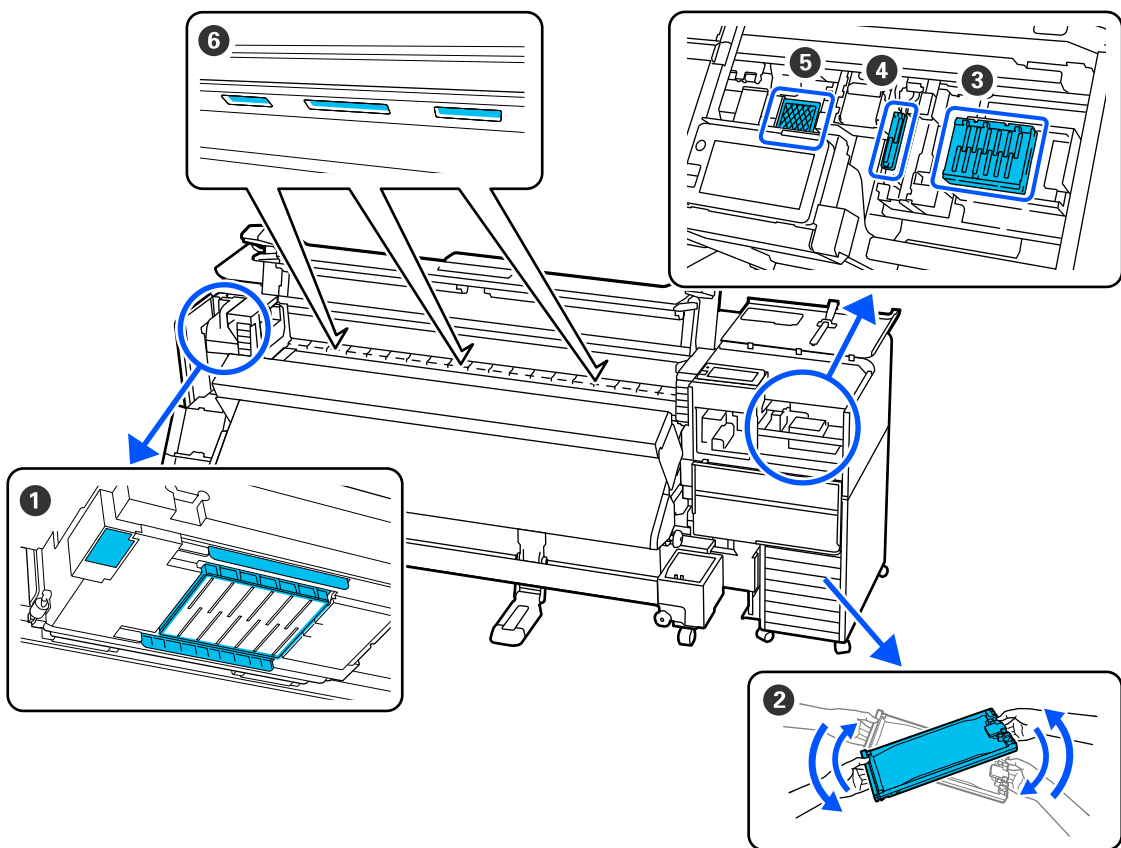
Locations of Consumables and Replacement Timing



Maintenance

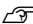
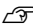
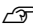


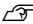



When to perform	Component to be replaced
When the plates are deformed or damaged.	<p>① Media edge plates</p> <p>🔗 "Replacing the Media Edge Plates" on page 82</p>
When a replacement message is displayed on the control panel screen	<p>② Waste ink bottle</p> <p>🔗 "Disposing of Waste Ink" on page 80</p> <p>④ Wiper unit</p> <p>⑤ Flushing pad</p> <p>⑥ Air filter</p> <p>🔗 "Replacing Maintenance Parts" on page 81</p>
When an error appears on the control panel screen indicating ink is expended	<p>③ Ink supply units</p> <p>🔗 "Replacing Ink Supply Units" on page 79</p>

Other maintenance



When to perform	Operation
<ul style="list-style-type: none"> ❑ Before starting daily printing operations (WH only) ❑ When the message Ink shaking is needed. Shake the ink supply unit which ⚠ / ❌ is displayed. is displayed 	<p>② Shake the ink supply units</p> <p>🔗 "Shaking the Ink Supply Units Periodically" on page 77</p>

Maintenance

When to perform	Operation
<ul style="list-style-type: none"> <input type="checkbox"/> When checking if nozzles are clogged <input type="checkbox"/> When checking which colors are clogged <input type="checkbox"/> When you notice horizontal stripes or tint unevenness (banding) 	<p>Print Head Nozzle Check</p> <p> "Print Head Nozzle Check" on page 84</p>
<p>When a clog is found after checking for clogged nozzles</p>	<p>Head Cleaning</p> <p> "Head Cleaning" on page 85</p>
<p>When print head nozzles are severely clogged and cannot be cleared even after cleaning the print head</p>	<p> <ol style="list-style-type: none"> 1 Around the print head 4 Suction caps 3 Capping station <p> "Cleaning Around the Print Head/Area Around the Cap" on page 77</p> <p>You can check the procedure in a video on YouTube.</p> <p>Epson Video Manuals</p> </p>
<p>When lint or dust has accumulated in the flushing pad</p>	<p>5 Flushing pad</p> <p> "Cleaning the Flushing Pad" on page 90</p>
<p>When inside light seems to be dark</p>	<p>6 Inside light</p> <p> "Cleaning the Inside Lights" on page 90</p>
<p>When White ink is not used for an extended period/When resuming the use of White ink</p>	<p>Switching Color Mode</p> <p> "Switching Color Mode" on page 87</p>
<p>When you will not use the printer for an extended period (the power is off)</p>	<p>Pre-maintenance When Not Using the Printer for an Extended Period</p> <p> "Pre-maintenance When Not Using the Printer for an Extended Period" on page 87</p>
<p>When roller marks appear in print results</p>	<p>Pressure rollers</p> <p> "Cleaning the Pressure Rollers" on page 89</p>
<p>When it becomes hard to see through the printer cover</p>	<p>Inside the printer cover</p> <p> "Cleaning Inside the Printer Cover" on page 89</p>

Maintenance

What You Will Need

Have the following items ready before beginning cleaning and replacement.

When the supplied parts have been completely used, purchase new consumables. Use genuine parts when replacing ink supply units or performing maintenance.

 [“Options and Consumable Products” on page 132](#)

If your gloves have worn out, obtain commercially available nitrile gloves.

Protective eyeglasses (not included)

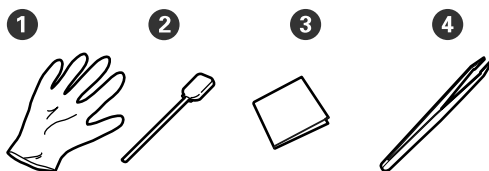
Protects your eyes from ink and ink cleaner.

Mask (not included)

Protects your nose and mouth from ink and ink cleaner.

General cleaning tools (supplied with the printer)

The following accessories are in the kit. Use clean-room wipers to wipe away dirt and debris when cleaning without using a cleaning stick.



- ① Gloves (x12)
- ② Cleaning sticks (x20)
- ③ Clean-room wipers (x100)
- ④ Tweezers (x1)

Ink cleaner (supplied with the printer)

Use this when removing ink stains from the following areas.

- Around the print head
- Suction Cap
- Capping Station

The following accessories are in the kit.

How to use  [“Using Ink Cleaner” on page 76](#)



- ① Gloves (x12)
- ② Ink cleaner (x1)
- ③ Cup (x1)

A metal tray (supplied with the printer)



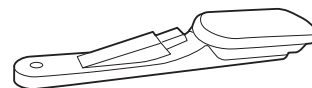
Use when placing cleaning utensils, removed consumables, or ink cleaner poured into the container supplied with the printer.

Important:

Placing used cleaning sticks or other cleaning tools directly on top of the printer may cause deformation due to the properties of the ink cleaner.

Media cleaner brush (supplied with the printer)

Use when cleaning with media cleaner.



Soft cloth (not included)

Use when cleaning inside the printer. Use material that is not likely to generate lint or static electricity.

Maintenance

Precautions Regarding Maintenance

Note the following points when cleaning and replacing parts.

Caution:

- ❑ *During maintenance, wear protective clothing, including protective eyewear, gloves, and a mask. If ink, waste ink, or ink cleaner comes into contact with your skin or enters your eyes or mouth, take the following actions.*
 - ❑ *If fluid adheres to your skin, wash it off using large volumes of soapy water. If you notice any reaction developing in the affected area, consult with a qualified physician immediately.*
 - ❑ *If ink gets into your eyes, wash them out immediately with water. Failure to observe this precaution could result in bloodshot eyes or mild inflammation. Consult with a qualified physician if any other problems should develop.*
 - ❑ *If fluid enters your mouth, consult with a physician as soon as possible.*
 - ❑ *If swallowed, do not induce vomiting. Consult with a physician as soon as possible. If vomiting is induced, vomited material may enter the windpipe, which is dangerous.*
 - ❑ *Store ink supply units, cleaning ink supply units, waste ink, and ink cleaner in a location out of reach of children.*
 - ❑ *After replacing the waste ink bottle or using the ink cleaner, wash your hands and rinse your mouth thoroughly.*
- ❑ Remove the media from the printer before proceeding.
 - ❑ Never touch the belts, circuit boards, or any parts that do not require cleaning. Failure to observe this precaution could result in malfunction or reduced print quality.

- ❑ Do not use anything other than the supplied or consumable cleaning stick. Other types of sticks that produce lint will damage the print head.
- ❑ Always use fresh cleaning sticks. Re-using sticks can make stains even harder to remove.
- ❑ Do not touch the tips of the cleaning sticks. Oil from your hands could damage the print head.
- ❑ When cleaning using ink cleaner, do not use anything other than the specified ink cleaner. Using anything else could result in malfunction or reduced print quality.
- ❑ Do not use water or alcohol to clean around the print head or caps. When ink mixes with water or alcohol, it will harden.
- ❑ Touch a metallic object before starting work to discharge any static electricity.

Performing Regular Cleaning

Daily Cleaning

When lint, dust, or ink adheres to the platen heater or the media edge plates, nozzles may clog or ink drops may appear on the printout.

To maintain optimum printing quality, we recommend cleaning before starting work every day.

Caution:

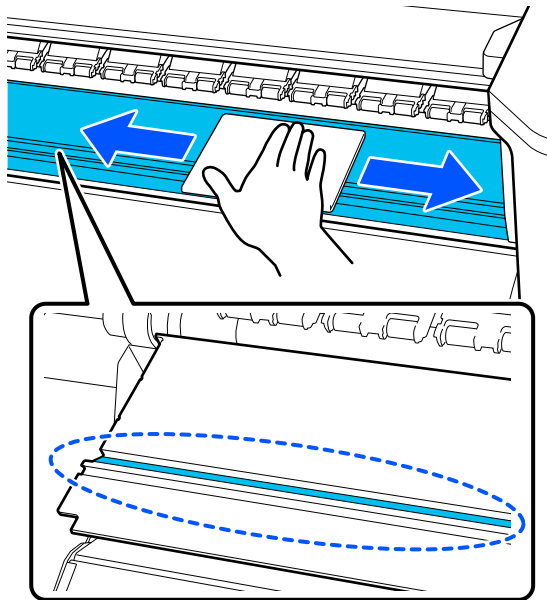
- ❑ *The heaters and media edge plate may be hot; observe all necessary precautions. Failure to observe the necessary precautions could result in burns.*
- ❑ *Be careful not to trap your hands or fingers when opening or closing the printer cover. Failure to observe this precaution could result in injury.*

Important:

Do not use ink cleaner to clean inside the printer. Doing so could damage the parts.

Maintenance

- 1 Make sure the printer is turned off and the screen has turned off, and then unplug the power cables from the outlets.
Disconnect both of the power cables.
- 2 Wait for one minute after unplugging the power cables.
- 3 Open the printer cover.
- 4 Soak a soft cloth in water, wring it out thoroughly, and then wipe off any ink, lint, or dust that has adhered to the platen heater.
Carefully remove lint and dust stuck in the groove of the platen heater.



- 5 Soak a soft cloth in water, wring it out thoroughly, and then wipe off any lint, or dust that has adhered to the media edge plates.

! **Important:**

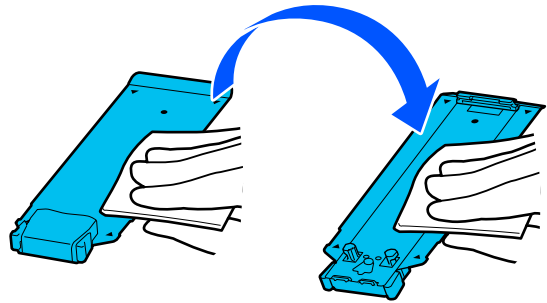
When media with glue has been used, wipe away glue using a diluted neutral detergent. If you continue printing while glue is stuck to the media edge plates, they may rub against the print head.

When using media with glue and ink adheres

Remove the media edge plates from the printer, and clean the front and back of the plates.

After stains are removed, be sure to attach the plates to their original positions.

Removing and attaching the media edge plates
[☞ “Replacing the Media Edge Plates” on page 82](#)



Cleaning the Media Cleaner

If the media cleaners are dirty, they cannot sufficiently wipe dirt and dust off the surface of the media, which may lead to problems such as clogged nozzles.

If the **Clean the media cleaner. After cleaning is complete, press [OK].** message appears on the control panel's screen, use the supplied media cleaner brush to clean them.

- 1 When a message on the control panel screen informs you that it is time to clean the media cleaner, check the message.
- 2 Press **How To...** to view the procedure.
Follow the on-screen instructions to perform the procedure.

Using Ink Cleaner

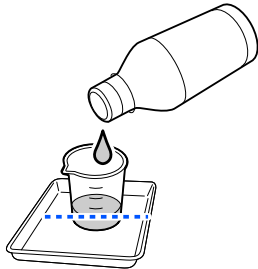
Only use ink cleaner to clean the parts indicated in the manual. Do not use ink cleaner in areas not specified in the manual, as it may damage the parts.

Before starting this procedure, be sure to read the following:

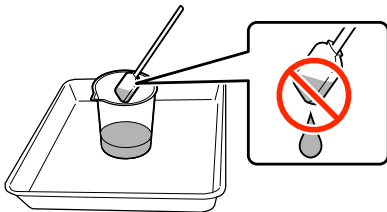
[☞ “Precautions Regarding Maintenance” on page 75](#)

Maintenance

- 1 Place the container supplied with the ink cleaner on the metal tray and pour in approximately 10 ml of ink cleaner.



- 2 Dampen the cleaning stick with ink cleaner. When doing this, do not allow ink cleaner to drip from the cleaning stick.



When soaking a clean-room wiper with ink cleaner, use the ink cleaner poured into the container.

Important:

- Do not use ink cleaner that has already been used for cleaning. Using dirty ink cleaner will make staining worse.
- Used ink cleaner, cleaning sticks, and clean-room wipers are classified as industrial waste. Dispose of them in the same way as for waste inks.
[“Handling Used Consumables” on page 91](#)
- Store ink cleaner at room temperature out of direct sunlight.
- After using the ink cleaner, be sure to close the lid securely. The ink cleaner may leak or evaporate if the lid is not closed securely.

Cleaning Around the Print Head/Area Around the Cap

Clean the print head/area around the cap in the following order.

Cleaning around the print head



Cleaning the Suction Cap



Cleaning the Capping Station

Important:

If cleaning has not been performed for one month, a message is displayed on the control panel screen informing you that it is time to clean the printer. If the message is displayed, clean the area immediately.

Read the following before starting this procedure.

[“Precautions Regarding Maintenance” on page 75](#)

- 1 Press (Maintenance), and then press **Cleaning the Maintenance Parts - Print Head/Area around the Cap**.

- 2 Press **Start**, and then press **How To...** to view the procedure.

The print head moves to the maintenance position on the left.

Follow the on-screen instructions to perform the procedure.

Shaking the Ink Supply Units Periodically

If a message is displayed informing you that it is time to shake the ink, remove the ink supply unit immediately and shake it.

Maintenance

Important:

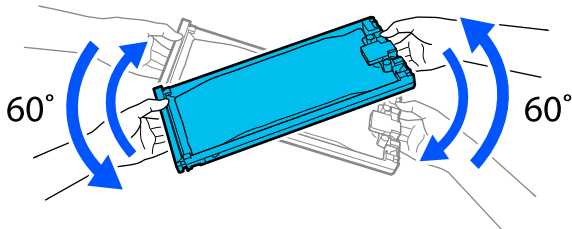
The ink supply units used in this printer are, due to characteristics of their ink, prone to gradual sedimentation (components settling to the bottom of the liquid). If ink settles, tint unevenness and nozzle clogs occur. Shake ink supply units periodically after installing them.

After installing an ink supply unit in the printer, a message prompting you to shake the unit is displayed at the following intervals.

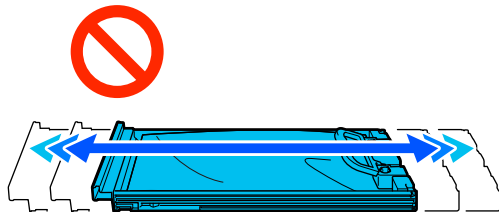
- White ink (WH): Once every 24 hours
- Other inks: Once every three weeks

Precautions When Shaking

- When removing the ink tray, support the bottom of the tray with your hand. If you remove the tray using one hand, it may fall and be damaged due to the weight.
- When shaking the ink supply unit, set it in the ink tray and shake it up and down at an angle of about 60 degrees 5 times in 5 seconds as shown in the following illustration.



- Do not forcefully shake or swing ink supply units or ink trays containing ink supply units. Ink could leak.

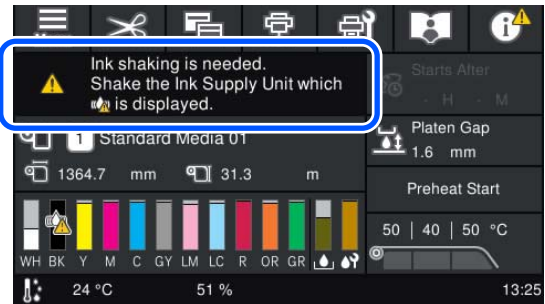


- Removed ink supply units may have ink around the ink supply port, so be careful not to get any ink on the surrounding area when removing the ink supply units.

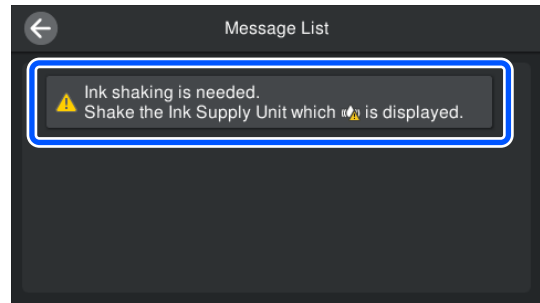
Shaking

If a message is displayed informing you that it is time to shake the ink, you can check the procedure on the control panel while shaking the ink supply unit.

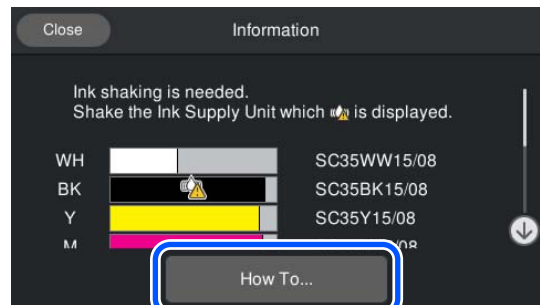
- 1 On the screen, press the status of consumables area.



- 2 In the Message List, press the message informing you that it is time to shake the ink.



- 3 Press **How To...** to view the procedure. Follow the on-screen instructions to perform the procedure.



Maintenance

Replacing Ink Supply Units

Precautions When Replacing

! Important:

Epson recommends the use of genuine Epson ink supply units. Epson cannot guarantee the quality or reliability of non-genuine ink. The use of non-genuine ink may cause damage that is not covered by Epson's warranties, and under certain circumstances, may cause erratic printer behavior. Information about non-genuine ink levels may not be displayed, and use of non-genuine ink is recorded for possible use in service support.

- ❑ You cannot print if the amount of ink remaining in even one color falls below the minimum threshold.

! Important:

When using WH ink, if **You need to replace the following ink supply unit.** is displayed, replace the ink supply unit immediately with a new one.

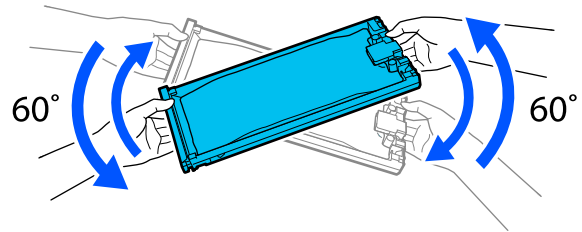
If you do not address the low ink warning, the print head or other parts may be damaged.

If the amount of ink remaining falls below the minimum threshold during printing, you can continue printing by replacing the relevant ink supply units. If you continue to use ink supply units when they are running low on ink, you may need to replace the ink supply units during printing. Replacing the ink during printing may result in color variation depending on how the ink dries. If you are concerned about color variation, we recommend replacing them with new ink supply units before printing. You can reinstall and use the removed ink supply units until the amount of ink remaining falls below the minimum threshold.

Follow the steps below to replace the ink supply units and cleaning ink supply units.

- ❑ Place all of the ink trays in the bulk ink solution.

- ❑ When shaking the ink supply unit, set it in the ink tray and shake it thoroughly up and down at an angle of about 60 degrees the number of times shown below for each color, as shown in the following illustration.
- ❑ White ink (WH), Orange ink (OR): About 25 times in 25 seconds
- ❑ Other inks: About 5 times in 5 seconds

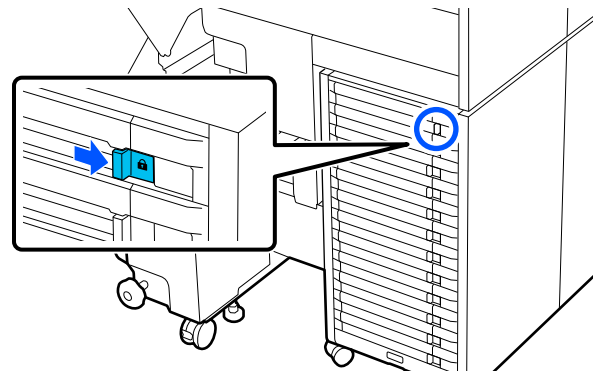


Note:

Ink supply units contain components inside to help maintain print quality. These components are not foreign bodies.

Replacement Procedure

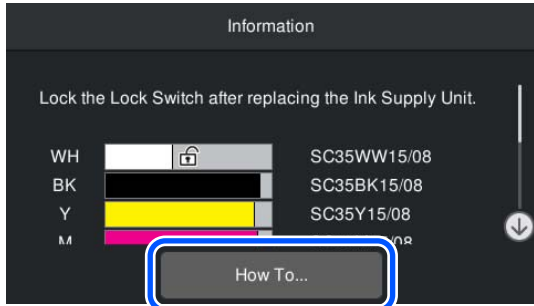
- 1 Move the lock switch for the color you want to replace to unlock it.



Maintenance

- 2 Press **How To...** on the control panel screen to view the procedure.

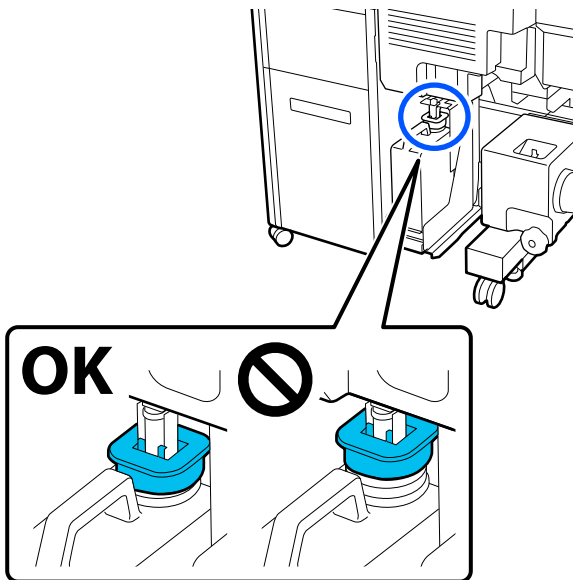
Follow the on-screen instructions to perform the procedure.



Disposing of Waste Ink

Precautions When Replacing the Waste Ink Bottle

- Be sure to confirm that the waste ink tube is inserted in the mouth of the waste ink bottle. Check that the stopper is stuck close to the mouth of the bottle. If there is a gap, waste ink may splatter and stain the surrounding area.



- You will need the lid for the waste ink bottle when disposing of waste ink. Keep the lid in a safe place; do not throw it out.

Important:

Never remove the waste ink bottle during printing or while the printer is performing the following operations unless instructed to do so on-screen. Waste ink may leak.

- Head Cleaning
- Head Washing
- Print Head Refresh
- Pre-maintenance when not using the printer for an extended period

Replacing the Waste Ink Bottle

There are two methods for replacing the waste ink bottle as described below. Use the appropriate replacement method to suit your situation.

Read the following before starting this procedure.

☞ [“Precautions Regarding Maintenance” on page 75](#)

When a message is displayed indicating it is time to replace the waste ink bottle

Replace the waste ink bottle with a new bottle immediately.

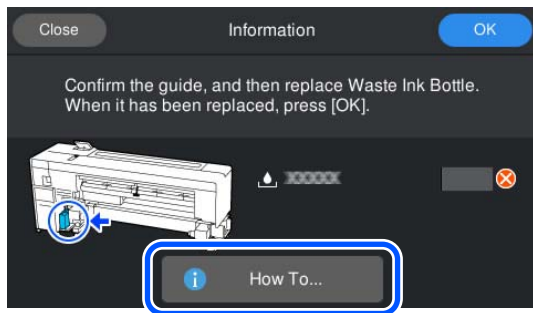
When a message is displayed, press **How To...** You can check the procedure on the control panel while replacing the waste ink bottle.

Important:

When the message *The waste ink bottle is nearing the end of its service life.* is displayed, prepare a new waste ink bottle as soon as possible.


See the following when replacing the waste ink bottle at this stage in the procedure.

☞ [“When you want to replace it at any time” on page 81](#)



When you want to replace it at any time

When you want to replace the waste ink bottle due to night operations and so on before the message is displayed indicating that it is time to replace the bottle, follow the steps below to replace the waste ink bottle. If you do not follow the steps below, you will not receive a message at the correct replacement interval next time.

- 1 Press  on the screen, and then press **Replace Waste Ink Bottle**.
- 2 Press **How To...** to view the procedure.
Follow the on-screen instructions to perform the procedure.

Replacing Maintenance Parts

Preparing and Replacement Timing

When The Maintenance Parts is nearing the end of its service life, is displayed, or when  is displayed in the wiper unit status display

Prepare a new maintenance parts kit on hand immediately.

When you want to replace the parts at this stage due to night operations and so on, perform **Replace Maintenance Parts** from the settings menu, and then replace the parts. If you replace them without performing **Replace Maintenance Parts**, the maintenance parts counter will not operate correctly.

 [“Maintenance Menu” on page 118](#)

Important:

About the maintenance parts counter

The printer tracks amounts consumed using the maintenance parts counter and displays a message when the counter reaches the warning level.

*If you replace the maintenance parts according to the message **Maintenance Parts is at the end of its service life.**, the counter is cleared automatically.*

*If you replace it before this message is displayed, be sure to perform **Replace Maintenance Parts** from the settings menu.*

When Maintenance Parts is at the end of its service life, is displayed

See the following section, and replace with all the parts included in the maintenance parts kit. Printing cannot be performed if the parts are not replaced.

The maintenance parts kit contains the following parts.

- Wiper unit (x1)

Maintenance

- ❑ Flushing pad (x1)
- ❑ Air filter (x2)

Replacement Procedure


Always choose a replacement maintenance parts kit that is specified for this printer.

🔗 [“Options and Consumable Products” on page 132](#)

Before starting this procedure, be sure to read the following:

🔗 [“Precautions Regarding Maintenance” on page 75](#)

- 1 On the **Maintenance Parts is at the end of its service life.** screen, press **OK**.

If the message is not displayed, press  (Maintenance), and then press **Replace Maintenance Parts**.

- 2 Check the message, and then press **Start**.

- 3 Press **How To...** on the control panel screen to view the procedure and replace the part.

Replacing the Media Edge Plates

If the media edge plates supplied with the printer become deformed or damaged, be sure to replace them with new ones.

For replacement media edge plates, contact your dealer or Epson Support.

Important:

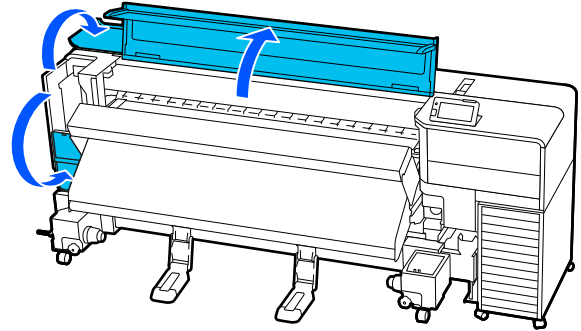
If you continue to use the printer with a deformed or damaged media edge plate, the print head could be damaged.

- 1 Remove media, and turn off the printer. Check that the screen display has turned off, and then unplug the power cables from the outlets.

🔗 [“Removing the Take-up Roll” on page 55](#)

Disconnect both of the power cables.

- 2 After unplugging the printer, wait for 1 minute and then open the left maintenance cover and the printer cover.



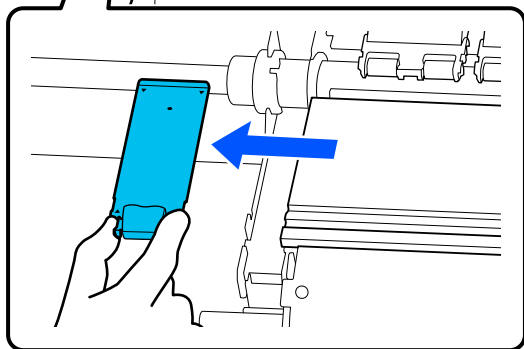
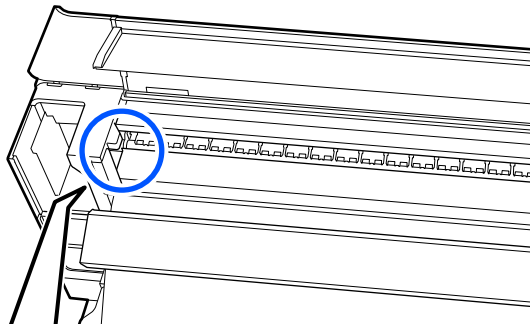
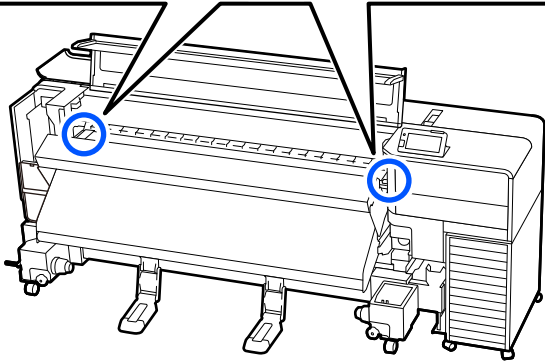
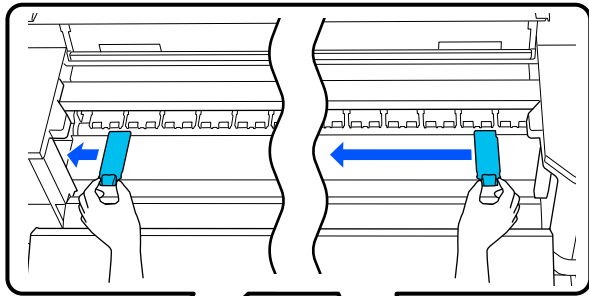
- 3 While holding the tabs of the media edge plate you want to replace on both sides, move the plate to the left edge of the platen heater to remove it.

Remove the left media edge plate first, and then remove the right.

Important:

Be sure to remove the media edge plates from the left edge of the platen heater. Removing them from the right may cause a malfunction.

Maintenance

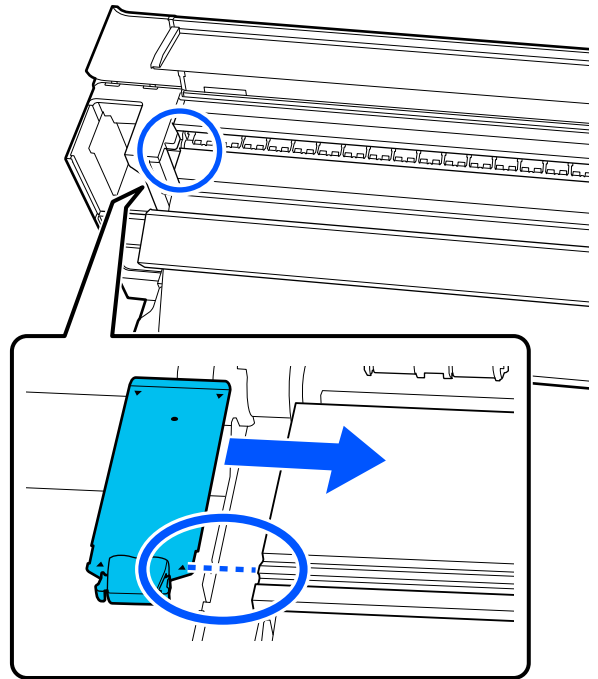


4 Insert a new media edge plate into the left edge of the platen heater.

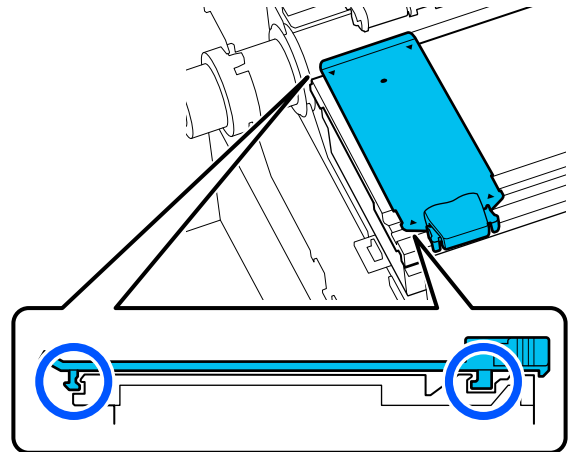
! **Important:**

You cannot insert the media edge plates from the right.

Align the platen heater rail with the ▲ holes for the media edge plates and insert as shown below.



5 Check that two hooked sections at the rear of the media edge plate are securely applied as shown below and that they are attached with no gap between the platen heater and media edge plate.



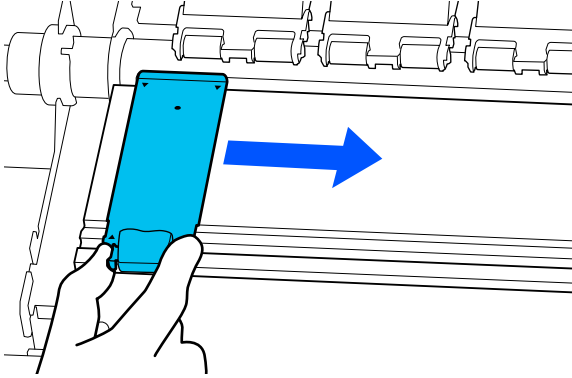
! **Important:**

If hooked sections are not positioned correctly, return to Step 3 to attach them again. Otherwise, the head may be damaged.

Maintenance

- 6** While holding the tabs of each media edge plate on both sides, move both the plates to the left and right edges of the platen heater respectively.

Releasing the tab fixes the media edge plate.



- 7** Close the left maintenance cover and printer cover.

Print Head Nozzle Check

We recommend that you check the print head nozzles for clogs each time before you print to ensure quality results.

Types of Nozzle Checks


There are the following two ways to check the print head for clogged nozzles.

On-Demand Nozzle Pattern

If you want to check the condition of the nozzles before printing, or if you see stripes or unevenness in the print results, you can print out a check pattern and visually check it to see the condition of the nozzles.

See the following for details.

[📖 “How to Print a Nozzle Check Pattern” on page 84](#)

Depending on the width of the loaded media, you can save media by printing additional test patterns in the space beside an existing pattern: To print them in line, press the [] button (rewind button) to rewind the media to the position where you want to print the pattern.

- ❑ If the width is 51 to 64 inches, you can print up to three patterns (one on the left, one in the center, and one on the right).
- ❑ If the width is equal to or greater than 34 inches but less than 51 inches, you can print up to two patterns (one on the left and one on the right).
- ❑ If the width of the media is less than 34 inches, you cannot print side by side.

Nozzle Check for Information Printing

A check pattern is printed on the left and right edges of the media. You can check for clogged nozzles during printing by inspecting the check pattern.

[📖 “General Settings Menu” on page 101](#)


Nozzle Check between Pages

After the selected number of pages* has printed, a check pattern is printed. When all printing is complete, you can visually inspect the pattern to determine whether there may be faint or missing colors in the preceding or following printout.

[📖 “General Settings Menu” on page 101](#)

- * Print jobs that do not include multiple pages are counted as one page.

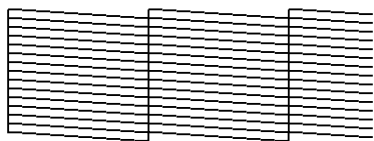
How to Print a Nozzle Check Pattern

- 1** Check that the printer is ready to print, press  (Maintenance), and then press **Print Head Nozzle Check**.
- 2** Select the desired print position, and then press **Start**.
The check pattern is printed.

Maintenance

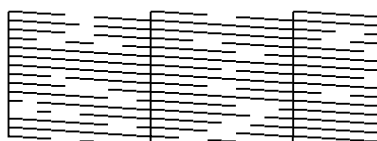
- 3** Check the check pattern. Cut the media as necessary.

Example of clean nozzles



If there are no gaps in the check pattern, press [O].

Example of clogged nozzles



If there are gaps in the nozzle check pattern, press [X], and then perform Head Cleaning.

[“Head Cleaning” on page 85](#)

Head Cleaning

Types of Cleaning

The following four types of Head Cleaning are available.

Auto Cleaning

The level is automatically changed, according to the condition of the clog detected in a nozzle, and then cleaning is done.

See the following for details on how to perform cleaning.

[“Performing Head Cleaning” on page 85](#)

Perform Head Cleaning as necessary

If there are gaps in the nozzle check pattern, or if there are streaks in the print results, the colors are wrong, or there are ink drops, perform Head Cleaning.

When Head Cleaning is complete, print the nozzle check pattern again to check the condition of the nozzles.

See the following for details on how to perform Head Cleaning.

[“Performing Head Cleaning” on page 85](#)

Perform Head Cleaning periodically

This printer comes with a built-in automatic maintenance function that automatically performs Head Cleaning at a set time or when it is determined to be necessary based on the results of automatically monitoring the nozzles. Set Print Duration, Print Counter, or Print Length as the interval.

[“General Settings Menu” on page 101](#)

Set Maintenance Cleaning

In **Maintenance Setting**, set **Maintenance Cleaning** to **On** to perform Head Cleaning automatically after a set period of time has passed, to keep the print head in good condition.

[“General Settings Menu” on page 101](#)

Performing Head Cleaning

Cleaning levels and order of execution

Perform Auto Cleaning first. If this does not clear the clogs, perform **Cleaning (Light)**, then **Cleaning (Medium)**, and then **Cleaning (Heavy)** until the clogs are cleared.

Procedure

- 1** Check that the printer is ready to print, press , and then press **Head Cleaning**.
- 2** Select a cleaning method.
 - Select **Auto Cleaning** first.
 - Next, select **Cleaning (Light)**.
 - Next, select **Cleaning (Medium)**.
 - And finally, select **Cleaning (Heavy)**.

Maintenance

- 3** Inspect the printed nozzle check pattern, and select the nozzle rows you want to clean.

All Nozzles

Select this when there are faint or missing sections in all patterns.

Select Nozzles

Select this when there are faint or missing sections in specific patterns. On the next screen, select the nozzle row with the same symbol as the pattern with faint or missing sections, and then press **OK**. You can select multiple rows of nozzles.

- 4** Head Cleaning starts.

A confirmation message is displayed when cleaning is complete.

- 5** Press **Yes** to print a nozzle check pattern and check for clogged nozzles.

To print alongside margins where a check pattern has already been printed, select a Print Position that has margins.

Press **No** to close the settings menu.

- 6** If you printed a nozzle check pattern, check the pattern.

If clogging is cleared

Continue with normal operations.

If nozzles are still clogged


Perform **Cleaning (Light)**. If nozzles are still clogged even after performing **Cleaning (Light)**, perform **Cleaning (Medium)**, and then **Cleaning (Heavy)**.

If nozzles are still clogged even after performing Cleaning (Heavy)

The areas around the print head may be dirty.

Perform the following steps.

1. Clean around the print head and caps.

 [“Cleaning Around the Print Head/Area Around the Cap” on page 77](#)

If step 1 does not clear the clogging, try step 2.

2. Perform **Head Washing** from the settings menu.

 [“Maintenance Menu” on page 118](#)

Maintenance

Switching Color Mode

Switch the **Color Mode** in the following cases.

- When White ink is not used for an extended period
- When resuming the use of White ink

Important:

When switching the **Color Mode**, all White ink in the ink tubes is drained and replaced with cleaning liquid. If the period during which you will not use White ink is less than one week, we recommend continuing to use **11 Color Mode (With WH)**.

What You Will Need

Make sure you have the following items depending on the selected color mode. When the ink levels of any ink supply units, except for White or the cleaning ink supply unit, are low, or when the waste ink bottle is nearly full, make sure you have new ones.


Switching from 10 Color Mode to 11 Color Mode (With WH)

WH ink supply unit (x1)

Switching from 11 Color Mode (With WH) to 10 Color Mode

Cleaning ink supply unit (x1)

Switching Modes

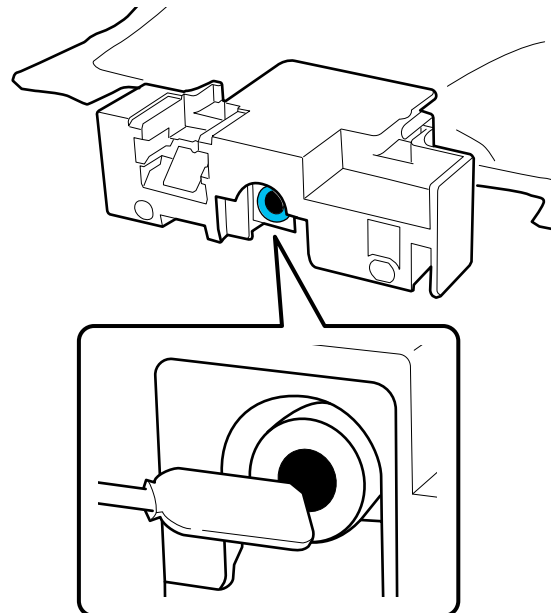
- 1** Make sure the printer is on, and then press  (Menu) - **General Settings** - **Printer Settings** - **Change Color Mode**.
- 2** Select the mode you want to switch to.
- 3** Check the message displayed on the screen, and then press **Start**.
Follow the on-screen instructions to perform the procedure.
Press **How To...** on the screen to view the procedure.

When switching is complete, the control panel screen changes from the processing screen to the settings screen.

When switching from **11 Color Mode (With WH)** to **10 Color Mode**, see the next section to clean the ink supply port of the removed White ink supply unit, and then store it.

Cleaning the Ink Supply Port and Storing

Gently touch the corner of a large cleaning stick from the included maintenance kit to the ink supply port to absorb any ink. There is no need to wipe off the ink. Do not press or move the cleaning stick with too much force.



Note the following points when storing removed, partially used ink supply units.

 [“Notes on Handling Ink Supply Units” on page 29](#)

Pre-maintenance When Not Using the Printer for an Extended Period

If you are not going to use the printer for an extended period (the power is off), be sure to perform pre-maintenance.

Maintenance

Important:

If it is left as it is without performing pre-maintenance, the print head nozzle may become clogged and the clogging cannot be cleared.

If you are not going to use the printer for an extended period and do not perform pre-maintenance, turn on the power at least once every seven days.

Timing for Performing Pre-maintenance

The content of pre-maintenance varies as follows depending on how long it is not used.

7 to 13 days (only when using 11 Color Mode (With WH))

Switch to **10 Color Mode**.

 [“Switching Color Mode” on page 87](#)

2 weeks or more

See the following and perform **Keeping Preparation**.


When performing **Keeping Preparation**, make sure you have 11 cleaning ink supply units ready.

 [“Options and Consumable Products” on page 132](#)

Performing Pre-maintenance

Important:

If insufficient ink or cleaning liquid remains, the functions may not be performed. If the remaining levels are low, make sure you have new ink supply units or cleaning ink supply units on hand, just in case.

1 Make sure the printer is on, and then press  (Maintenance) - **Keeping Preparation**.

2 Check the message displayed on the screen, and then press **Start**.

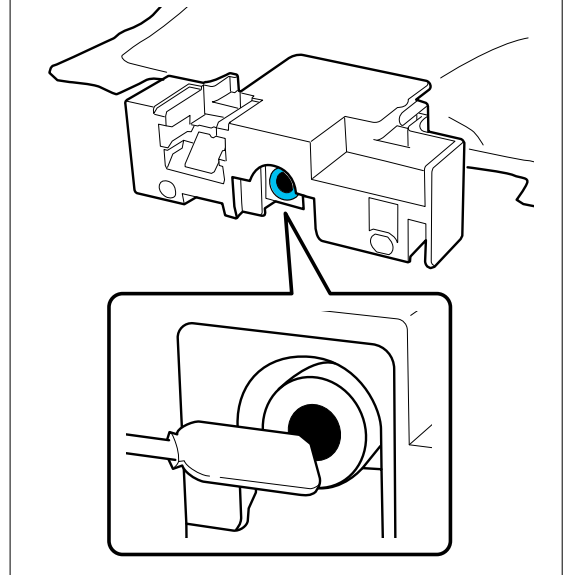
Follow the on-screen instructions to perform the procedure.

Press **How To...** on the screen to view the procedure.

Important:

Before storing the removed ink supply units, clean any ink that may have adhered to the ink supply port. Use a cleaning stick from the included maintenance kit for cleaning.

- To prevent color mixing, use a new cleaning stick for each color.*
- Gently touch the corner of a cleaning stick to the ink supply port to absorb any ink. There is no need to wipe off the ink. Do not press or move the cleaning stick with too much force.*



3 When a message indicating switching is complete is displayed, turn off the printer.

Note the following points when storing the printer and any removed, partially used ink supply units.

 [“Notes when not using the printer” on page 29](#)

 [“Notes on Handling Ink Supply Units” on page 29](#)

When Resuming Use

What you will need

Make sure you have the following ink supply units depending on the selected **Color Mode**.

Maintenance

- ❑ **11 Color Mode (With WH):** White, Black, Yellow, Magenta, Cyan, Light Black, Light Magenta, Light Cyan, Red, Orange, Green
- ❑ **10 Color Mode:** Black, Yellow, Magenta, Cyan, Light Black, Light Magenta, Light Cyan, Red, Orange, Green

Important:

When resuming use, charge the printer with ink. When refilling using a removed ink supply unit, have a new ink supply unit on hand, just in case.

Turn on the printer and follow the on-screen instructions on the control panel screen to install the ink supply unit.

Press **How To...** on the screen to view the procedure.

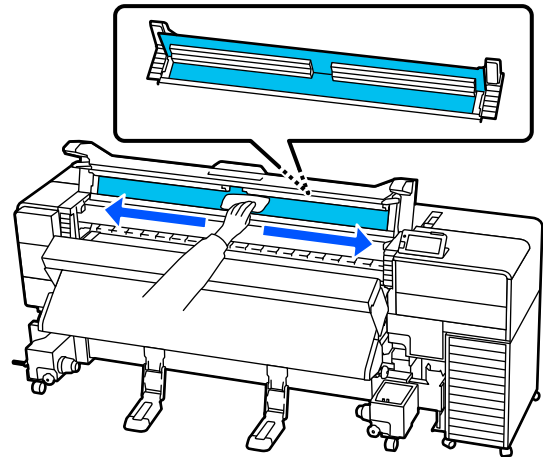
Cleaning Inside the Printer Cover

The inside of the printer cover may become dirty due to ink mist and so on. Continuing to use the printer while it is dirty may make it difficult to see inside.

If it gets dirty, follow the steps below to clean it.

- 1** Make sure the printer is turned off and the screen has turned off, and then unplug the power cables from the outlets.
Disconnect both of the power cables.
- 2** Wait for one minute after unplugging the power cables.
- 3** Open the printer cover.

- 4** Soak a soft cloth in water, wring it out thoroughly, and then wipe off any lint or dust from the transparent area inside the printer cover.



For dirt that cannot be removed with just water, wipe it with a cloth soaked in neutral detergent and thoroughly wrung out.

Cleaning the Pressure Rollers

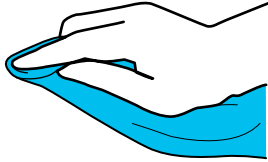
If the pressure rollers are used while they are still dirty with ink mist or other debris, dirt from the rollers may transfer to the print results.

When the rollers are dirty, follow the steps below to clean them.

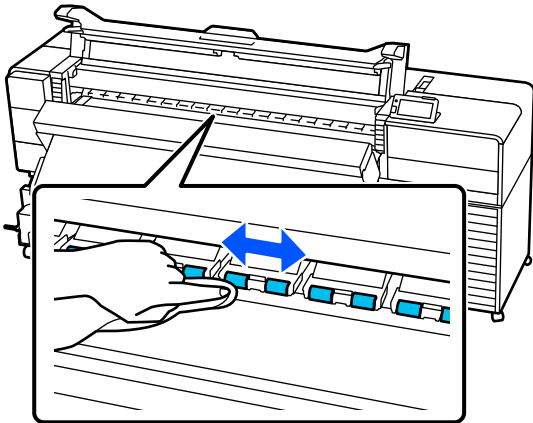
- 1** Make sure the printer is turned off and the screen has turned off, and then unplug the power cables from the outlets.
Disconnect both of the power cables.
- 2** Wait for one minute after unplugging the power cables.
- 3** Open the printer cover.
- 4** Raise the media loading lever.

Maintenance

- 5** Wrap a soft cloth that has been soaked in water and thoroughly wrung out around your finger, ensuring it does not cover the top side of your finger, as shown in the illustration.



- 6** Use the cloth to wipe the sides of the pressure rollers where dirt may have accumulated during printing.



! **Important:**

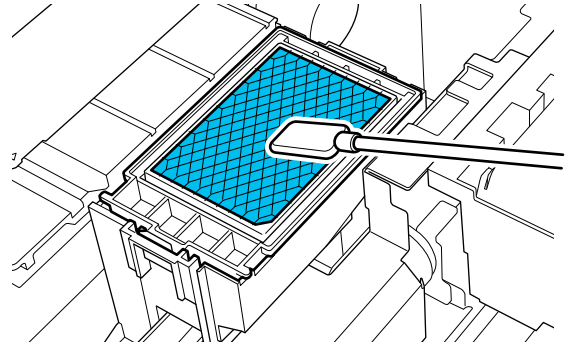
Be careful not to touch any parts other than the parts you are cleaning. Failure to observe this precaution could result in malfunction or reduced print quality.

Cleaning the Flushing Pad

If lint or dust adheres to the surface of the flushing pad, use the tip of a cleaning stick to remove it.

! **Important:**

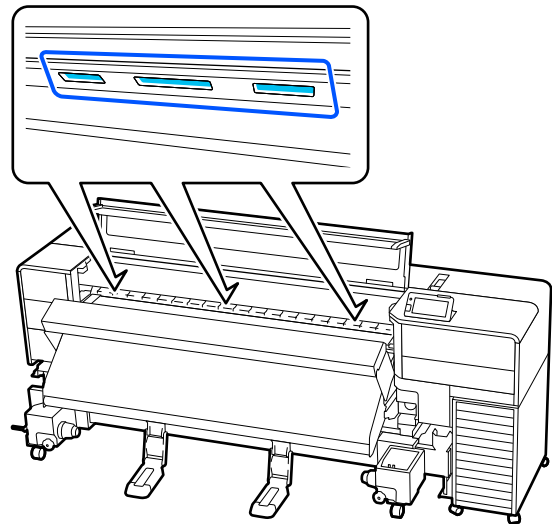
Do not deform the metal section of the top surface. If it is deformed, it may damage the print head.



Cleaning the Inside Lights

The printer cover has inside lights to make it easier to check print results and areas for maintenance. If ink mist makes the surface of the inside light dirty, it becomes dim so checking becomes difficult. If the light seems dim, soak a soft cloth in water, wring it out thoroughly, and then wipe off any dirt from the surface of the lights.

There are a total of 9 lights.



! **Important:**

Be careful not to trap your hands or fingers when opening or closing the printer cover. Failure to observe this precaution could result in injury.

Handling Used Consumables

The following used parts are classified as industrial waste when ink is stuck to them.

- Cleaning stick
- Clean-room wiper
- Ink cleaner
- Waste ink
- Waste ink bottle
- Wiper unit
- Flushing pad
- Air filter
- Media after printing

Dispose of items according to local laws and regulations. For example, contract an industrial waste disposal company for disposal. In such cases, submit the "Safety data sheet" to the industrial waste disposal company.

You can download it at your local Epson Web site.

Control Panel Menu

Menu List

The following items and parameters can be set and executed in the Menu. See the reference pages for more details on each item.

General Settings

For more information on these items, see [🔗 “General Settings Menu” on page 101](#)

Item	Parameter
Basic Settings	
LCD Brightness	1 to 9
Sounds	
Button Press	0, 1, 2, 3
Optional Alert	
Volume	0, 1, 2, 3
Repeat	Off, Until Stopped
Completion Notice	0, 1, 2, 3
Warning Notice	
Volume	0, 1, 2, 3
Repeat	Off, Until Stopped
Error Tone	
Volume	0, 1, 2, 3
Repeat	Off, Until Stopped
Sound Type	Pattern1, Pattern2, Pattern3
Alert Lamp Notice	On, Off
Sleep Timer	1 to 240
Wake from Sleep	
Touch LCD Screen to Wake	On, Off, Scheduled
Date/Time Settings	
Date/Time	
Daylight Saving Time	Off, On (Winter, Summer)*
Time Difference	-12:45 to +13:45

Control Panel Menu

Item	Parameter
Language	Japanese, English, French, Italian, German, Portuguese, Spanish, Dutch, Russian, Korean, Traditional Chinese, Simplified Chinese
Screen Customization	
Background Color	Gray, Black, White
Display Information While Printing	
Progress Section	Overall, Preparation and Action
Supplementary Information	Printed Length, Remaining Print Length, Time until media replacement, Pass Mode
Keyboard	QWERTY, AZERTY, QWERTZ
Unit Settings	
Length Unit	m, ft/in
Temperature	°C, °F

Control Panel Menu

Item	Parameter
Printer Settings	
Margins	
Side(Right)	3 to 25 mm (0.12 to 0.98 inch)
Side(Left)	3 to 25 mm (0.12 to 0.98 inch)
Margin Between Pages	0 to 999 mm (0.00 to 39.33 inch)
Width Adjustment	-10.0 to 10.0 mm (-0.394 to 0.394 inch)
Print Start Position	0 to 1000 mm (0.00 to 39.37 inch)
Job Connection	On, Off

Control Panel Menu

Item	Parameter
Information Printing	
On	
Margin Between Images	5 to 999 mm (0.19 to 39.33 inch)
Print Position	Next to the Image, Media End
Event Marking	
Off	
On	
Print Position	Left, Right, Left and Right
Nozzle Check Pattern	
Pattern Selection	Do Not Print, Normal, Paper Width Saving
Print Position	Left, Right, Left and Right
Ink Density	Standard, Dark
Off	
Media Detection	
Width Detection	On, Off
Media Width	300.0 to 1625.6 mm (11.81 to 64.00 inch)
End Detection	On, Off
Detect Paper Skew	On, Off
Nozzle Check between Pages	
On	
Execution Timing	
Print Length	1 to 9999 m (3.28 to 32805.12 ft)
Print Page	1 to 9999 pages
Print Duration	1 to 9999 minutes
Off	

Control Panel Menu

Item	Parameter
Information Printing at Media Cut	
Media Remaining Information	On, Off
Print Information	On, Off
Print Position	Right, Center
Heater	
Power On Action	Start Heating on Power On, Start Heating Manually
Heater Control on Print Completion	100%, 50%, 0%
Media Feeding	Start Feeding on Power On, Start Feeding Manually
Inside Light	Auto, Manual
Change Color Mode	10 Color Mode, 11 Color Mode (With WH)
Optional Alert	
Print Length Alert	
On	0.01 to 999.99 m (0.03 to 3280.81 ft)
Off	
Restore Default Settings	Network Settings, Clear All Data and Settings
Maintenance Setting	
Cleaning Setting	
Threshold of Clogged Nozzles	1 to 70
Max Retry Cleaning Count	0, 1, 2
Maintenance Schedule	Between Jobs, When Detected
Nozzle Compensation	On, Off
Actions Beyond Threshold of Missing Nozzles	Stop Printing, Show Alert, Auto Cleaning
Maintenance Cleaning	
On	
Interval	
Scheduled	1 to 240 hours
Before Job Start	
Cleaning Level	Light, Medium, Heavy
Off	
Network Settings	

Control Panel Menu

Item	Parameter
Network Status	Wired LAN Status, Print Status Sheet
Advanced	
Device Name	
TCP/IP	Auto, Manual
Proxy Server	Do Not Use, Use
IPv6 Address	Enable, Disable
Link Speed & Duplex	Auto, 100BASE-TX Auto, 10BASE-T Half Duplex, 10BASE-T Full Duplex, 100BASE-TX Half Duplex, 100BASE-TX Full Duplex
Redirect HTTP to HTTPS	Enable, Disable
Disable IPsec/IP Filtering	
Disable IEEE802.1X	

*Only displayed for the SC-S9100/SC-S9170.

Media Settings

For more information on these items, see [🔗 “Media Settings Menu” on page 112](#)

Item	Parameter
Current Settings	
Media	01 XXXXXXXXXXXX to 50 XXXXXXXXXXXX
Media Type	
Media Width	
Width Detection	On, Off
Media Width	300.0 to 1625.6 mm (11.81 to 64.00 inch)
End Detection	On, Off
Advanced Settings	
Print Adjustments	
Automatic Adjustment	
Manual Adjustment	
Media Feed Adjustment	Manual (Standard), Manual (Measurement)
Print Head Alignment	
Media Management	

Control Panel Menu

Item	Parameter
01 XXXXXXXXXXXX to 50 XXXXXXXXXXXX	
Change Name	
Media Type	Adhesive Vinyl, Banner, Film, Textile, Paper/Other, Canvas
Advanced Settings	
Pre-Heater	
Pre-Heater	On, Off
Temperature	30 to 55°C (86 to 131°F)
Platen Heater	
Platen Heater	On, Off
Temperature	30 to 50°C (86 to 122°F)
After Heater	
After Heater	On, Off
Temperature	30 to 55°C (86 to 131°F)
Drying Time per Pass	0.0 to 10.0 Secs
Proceed to Drying after Print	No Rewind, Rewind, Off
Print Head Warm Up	Long, Short, Off
Platen Gap	1.6, 2.0, 2.5
Feeding Tension	Lv1 to Lv4
Paper Suction	Lv0 to Lv10
Head Movement Range	Data Width, Printer Width, Media Width
Multi-Strike Printing	On (2 to 8), Off
Media Feed Speed Limitation	On, Off
Pressure Roller Load	Light, Medium, Heavy
Skew Reduction	On, Off

Control Panel Menu

Item	Parameter
Roll Winding Direction	Printable Side Out, Printable Side In
Take-Up	Standard, Strength Tension
Skip Wrinkled Media	Off, On (10 to 1000 mm)
Periodic Cleaning	
Auto	
Manual	
Execution Timing	
Print Duration	1 to 1440 minutes
Suspend until Next Page	On, Off
Print Page	1 to 100 pages
Print Length	1.0 to 100.0 m (3.3 to 328.1 ft)
Pre-execute on previous page	On, Off
Cleaning Level	Extra Light, Light, Medium, Heavy
Remaining Amount Management	
Remaining Amount Management	On, Off
Remaining Amount	1.0 to 999.9 m (3.3 to 3280.5 ft)
Remaining Alert	1.0 to 15.0 m (3.3 to 49.2 ft)
Print Length Management	
Auto Reset	Off, Before Job Start
Manual Reset	

Maintenance

For more information on these items, see [☞ “Maintenance Menu” on page 118](#)

Item	Parameter
Print Head Nozzle Check	
Print Position	Right, Center, Left
Head Cleaning	
Auto Cleaning	
Cleaning (Light)	Select Nozzles, All Nozzles
Cleaning (Medium)	Select Nozzles, All Nozzles
Cleaning (Heavy)	Select Nozzles, All Nozzles

Control Panel Menu

Item	Parameter
Print Head Fluff & Ink Mist Removal	
Print Head Warm Up	
Cleaning the Maintenance Parts	Print Head/Area around the Cap, Media Cleaner
Print Head Nozzle Limitation	On, Off
Replace Maintenance Parts	
Replace Waste Ink Bottle	
Keeping Preparation	
Move/Transport	
Ink Circulation Cleaning	
Print Head Refresh	
Head Washing	

Supply Status

Details on menu  [“Supply Status Menu” on page 120](#)

Replacement Part Information

Details on menu  [“Replacement Part Information Menu” on page 121](#)

Printer Status

Details on menu  [“Printer Status Menu” on page 121](#)

Item	Parameter
Firmware Version	Printer, Print Head
Printer Name	
Fatal Error Log	
Operation Report	Total Print Area, Total Media Feed Length, Total Carriage Pass

Control Panel Menu

Details of the Menu

General Settings Menu

* indicates default settings.

Item	Parameter	Explanation
Basic Settings		
LCD Brightness	1 to 9 (9*)	Adjusts the brightness of the control panel display.
Sounds		
Button Press	0	Sets the volume of the sounds when the power button and control panel screen are operated.
	1*	
	2	
	3	
Optional Alert		
Volume	0	Sets the volume and the repetition of sounds when the specified print length set in Print Length Alert is reached.
	1	
	2*	
	3	
Repeat	Off	
	Until Stopped*	
Completion Notice	0	Sets the volume of the sounds when print jobs or maintenance operations are finished.
	1	
	2	
	3*	
Warning Notice		
Volume	0	Sets the volume and the repetitions of sounds when it is time to replace consumables.
	1	
	2*	
	3	
Repeat	Off*	
	Until Stopped	

Control Panel Menu

Item	Parameter	Explanation
Error Tone		
Volume	0	Sets the volume and the repetitions of sounds when an error occurs and printing cannot continue.
	1	
	2	
	3*	
	Repeat	
	Until Stopped*	
Sound Type	Pattern1	Sets the type of sounds. Sounds that are easy to hear in the printer's operating environment can be set.
	Pattern2	
	Pattern3*	
Alert Lamp Notice	On*	Sets whether or not (On/Off) the alert lamp turns on when an error notification is received.
	Off	
Sleep Timer	1 to 240 minutes (15*)	<p>Sets the length of time until the printer enters sleep mode when no print jobs are received and no errors are detected. In sleep mode, heaters turn off, the control panel screen turns off, and the internal motors and other components consume less power.</p> <p>To reactivate the control panel display, press any button in the control panel except ⏻. The printer is only fully reactivated when a print job is received, or when another operation involving printer hardware is performed.</p>
Wake from Sleep		You can set how to wake the printer from sleep mode.
Touch LCD Screen to Wake		
	On*	
	Off	
	Scheduled	0:00 to 23:45
Date/Time Settings		
Date/Time		Sets the printer's built-in clock. The time set here is displayed on the Home screen. It is also used for job logs and the printer's status as shown in Epson Edge Dashboard.
Daylight Saving Time	Off (Winter)*	Sets daylight saving time.
	On (Summer)	Winter and Summer are only displayed for the SC-S9100/SC-S9170.
Time Difference	-12:45 to +13:45	Sets the time difference with coordinated universal time (UTC) in 15 minute increments. In network environments with a time difference, set this as necessary when administrating the printer.





Control Panel Menu

Item	Parameter	Explanation
Language	Japanese	Select the language used in the control panel display.
	English *	
	French	
	Italian	
	German	
	Portuguese	
	Spanish	
	Dutch	
	Russian	
	Korean	
	Traditional Chinese	
	Simplified Chinese	

Control Panel Menu

Item	Parameter	Explanation
Screen Customization		
Background Color	Gray	Select the color scheme used in the control panel display. You can set a color scheme that is easy to see in the environment in which the printer is installed.
	Black*	
	White	
Display Information While Printing		
Progress Section	Overall*	Sets the progress section of the progress bar displayed during printing in the status display area on the home screen.
	Preparation and Action	Select Overall to display the overall progress from print preparation to print completion. Select Preparation and Action to display the following progress statuses. <input type="checkbox"/> From print preparation to print start (pre-heating the heater, and so on) <input type="checkbox"/> From print start to print completion
Supplementary Information	Printed Length	Sets the supplementary information displayed during printing in the status display area on the home screen.
	Remaining Print Length	
	Time until media replacement	
	Pass Mode*	
Keyboard	QWERTY*	Select the keyboard layout for the text input screens that are displayed, such as when inputting names to register Media Settings.
	AZERTY	
	QWERTZ	
Unit Settings		
Length Unit	m*	Choose the units of length used in the control panel display and when printing test patterns.
	ft/in	
Temperature	°C*	Choose the temperature units used in the control panel display.
	°F	

Control Panel Menu

Item	Parameter	Explanation
Printer Settings		
Margins		
Side(Right)	3 to 25 mm (5*) (0.12 to 0.98 inch [0.20*])	Sets the width of the right margin when media is loaded in the printer. See the following for more information.  "Printable Area" on page 63
Side(Left)	3 to 25 mm (5*) (0.12 to 0.98 inch [0.20*])	Sets the width of the left margin when media is loaded in the printer. See the following for more information.  "Printable Area" on page 63
Margin Between Pages	0 to 999 mm (10*) (0.00 to 39.33 inch [0.39*])	Sets the margin between printed pages. For single-page print jobs, this is the margin placed between jobs.
Width Adjustment	-10.0 to 10.0 mm (0*) (-0.394 to 0.394 inch [0.00*])	You can adjust a margin between pages. Even after making adjustments, the size of the margin may change, depending on the media and usage environment. The margin increases when the number is moved in the + direction, and decreases when the number is moved in the - direction.  "Printable Area" on page 63
Print Start Position	0 to 1000 mm (0*) (0.00 to 39.37 inch [0.00*])	Adjust this parameter if you want to print from the near center of the media or if you want to shift the printed area left from the Side(Right) setting. The area from the right edge of the media is left blank using the width set in Print Start Position. If a value is selected for Side(Right), an additional area corresponding to the width selected for Side(Right) will be left blank. See the following for more information.  "Printable Area" on page 63


Control Panel Menu

Item	Parameter	Explanation
Job Connection	On*	When On is selected, the next job starts printing without feeding media, drying, or rewinding between continuous print jobs. There are no operations between jobs so printing time is that much shorter. Continuous print jobs are a series of jobs in which the print job data is sent from the computer to the printer as soon as the previous print job data has been sent from the computer and received by the printer. If the pass mode is different between the previous print job and the next print job, the jobs are not connected.
	Off	
Information Printing		
On		When this is turned On , a mark and the nozzle check pattern are printed on the end of the media, so it is easier to check print quality.
Margin Between Images	5 to 999 mm (5*) (0.20 to 39.33 inch [0.20*])	
Print Position	Next to the Image*	Margin Between Images: Set the interval between images and the marks and check patterns.
	Media End	
Event Marking		Print Position: Select Next to the Image to print in the position open between the margin between images using the edge of images as a reference. Select Media End to print in the position using the edge of the media as a reference.
Off*		
On		Event Marking: When this is turned On , a mark is printed when an event that affects print quality occurs while printing. This makes it easier to find poor quality areas during and after printing.
Print Position	Left*	
	Right	
	Left and Right	
Nozzle Check Pattern		The following events cause a mark to be printed.
Pattern Selection	Do Not Print	
	Normal*	
	Paper Width Saving	
Print Position	Left*	<input type="checkbox"/> Change in state of clogged nozzles: When there is a change in nozzle clog conditions after printing starts <input type="checkbox"/> Head striking: When the striking of the media and print head is detected <input type="checkbox"/> Suspension: When printing is suspended <input type="checkbox"/> Start of nozzle compensation
	Right	
	Left and Right	
Ink Density	Standard*	Select your preferred location for the marks in Print Position .
	Dark	
Off*		Nozzle Check Pattern: When Pattern Selection is set to Normal or Paper Width Saving , the nozzle check pattern prints continuously during printing. When printing print jobs continuously or when printing a long job, you can immediately know if nozzles have clogged while printing. The width of the check pattern is narrower than Normal when Paper Width Saving is selected, so the image print area is wider. Select your preferred location for the check patterns in Print Position . When Ink Density is set to Dark , check patterns are easy to check.

Control Panel Menu

Item	Parameter	Explanation
Media Detection		
Width Detection	On*	Select whether or not (On/Off) the media width is detected. Try setting this to Off when printing if media width errors are displayed even though the media is correctly loaded. However, we recommend setting this to On when using the printer. Changed settings are reflected when the media is reloaded.
	Off	
Media Width	300.0 to 1625.6 mm (300.0 [*]) (11.81 to 64.00 inch [11.81 [*]])	When Width Detection is set to Off , make sure the media width is set correctly here according to the width of the media loaded. Changed settings are reflected when the media is reloaded. If the correct media width is not set, the printer may print beyond the edges of the media. Ink used outside the edges of the media will stain the inside of the printer.
End Detection	On*	Select whether or not (On/Off) the end of the media is detected. Try setting Off when printing if media out errors are displayed even though the media is correctly loaded. We recommend this normally be set to On when using the printer.
	Off	
Detect Paper Skew	On	Select whether the printer will stop printing and display an error (On) or whether the printer will continue printing (Off) when skewed media is detected. We recommend setting this to On when loading media without using the media edge plates, such as when printing on thick media.
	Off*	
Nozzle Check between Pages		
On		When On is selected nozzle check patterns are printed periodically at the specified timing. When printing is complete, you can visually inspect the check pattern to determine whether there are any stripes or unevenness in the printouts before or after the pattern. Select either Print Length , Print Page , or Print Duration to set the timing for printing the check pattern.
Execution Timing		
Print Length	1 to 9999 m (99 [*]) (3.28 to 32805.12 ft [324.80 [*]])	
Print Page	1 to 9999 pages (99 [*])	
Print Duration	1 to 9999 minutes (99 [*])	
Off*		

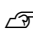

Control Panel Menu

Item	Parameter	Explanation
Information Printing at Media Cut		
Media Remaining Information	On	When removing or replacing media, press  (feed media to cutting position) on the control panel screen to feed the media to the cutting position and print information such as the remaining amount of media.
	Off*	
Print Information	On	When Media Remaining Information is set to On , the following information is printed on the unused side from the cut position. To print the media remaining information, set Remaining Amount Management in Media Settings to On .
	Off*	
Print Position	Right*	<ul style="list-style-type: none"> <input type="checkbox"/> Model: Model of the printer <input type="checkbox"/> Serial No.: Serial number of the printer <input type="checkbox"/> F/W Version: Firmware version of the printer <input type="checkbox"/> Print Date: Date and time of printing <input type="checkbox"/> Bank No.: Media number when printing <input type="checkbox"/> Media Type: Media type registered to the media number when printing <input type="checkbox"/> Media Width: Automatically detected value of media width <input type="checkbox"/> Remaining Amount: Remaining amount of media
	Center	<p>When Print Information is set to On, the following information is printed on the printed side of the cut position.</p> <ul style="list-style-type: none"> <input type="checkbox"/> Model: Model of the printer <input type="checkbox"/> Serial No.: Serial number of the printer <input type="checkbox"/> F/W Version: Firmware version of the printer <input type="checkbox"/> Print Date: Date and time of printing <input type="checkbox"/> Bank No.: Media setting number when printing <input type="checkbox"/> Media Type: Media type registered to the media setting number when printing <input type="checkbox"/> Media Width: Automatically detected value of media width <input type="checkbox"/> Print Length: Amount of media used <p>If you want to cut the left and right corners of the media when preparing it for the next loaded media, set Print Position to Center.</p>

Control Panel Menu

Item	Parameter	Explanation
Heater		
Power On Action	Start Heating on Power On	Sets the time to start preheating the heater. When Start Heating on Power On is set, preheating starts automatically when the printer is turned on and started up, regardless of the media loading status. For Start Heating Manually , press the Preheat Start button on the Home screen to start preheating.
	Start Heating Manually*	
Heater Control on Print Completion	100%*	Sets the control for the function that keeps the heater warm after printing is complete. Normally, leave this at 100% . If you select 50% , the heater remains at approximately half the preheat temperature. If you select 0% , preheating stops after printing is complete. Changes to the settings take effect after the next job has been printed.
	50%	
	0%	
Media Feeding	Start Feeding on Power On*	Sets the behavior of media settings, such as the media type and roll winding specifications, when the printer is turned off and back on again when media is loaded.
	Start Feeding Manually	When Start Feeding on Power On is selected, paper feeding starts immediately using the current settings without displaying the Media Settings screen. For Start Feeding Manually , paper feeding starts after you select settings on the Media Settings screen.


Control Panel Menu

Item	Parameter	Explanation	
Inside Light	Auto*	<p>Select whether to turn on/off the light inside the printer cover automatically (Auto) or whether to use the control panel operations as necessary (Manual).</p> <p>When Auto is selected, the light turns on automatically when printing and performing certain other operations, and turns off when the operation is complete.</p> <p>When Manual is selected, you need to press the ☼ (Inside Light button) on the control panel to turn the light on/off.</p>	
	Manual		
Change Color Mode	10 Color Mode	<p>You can switch between the ink modes used for printing. If you will not be printing using WH ink for an extended period, switching to 10 Color Mode can help reduce WH ink consumption. See the following for details on execution conditions, procedures, and so on.</p> <p> "Switching Color Mode" on page 87</p>	
	11 Color Mode (With WH)		
Optional Alert			
Print Length Alert	On	<p>When Print Length Alert is set to On, you will receive a message and notification sound when the selected print length is reached. The print length is only measured during printing (including blank spaces between jobs and between pages, and media movement during drying).</p> <p>The print length is reset when any of the following actions are performed.</p> <ul style="list-style-type: none"> <input type="checkbox"/> Moving the media loading lever to release the media <input type="checkbox"/> Pressing  (feed media to cutting position) on the control panel screen <input type="checkbox"/> Changing the print length setting <input type="checkbox"/> Turning off the printer <p>You can change the notification sound using the Optional Alert setting.</p>	
	Print Length		0.01 to 999.99 m (0.70*) (0.03 to 3280.81 ft [2.29*])
	Off*		
Restore Default Settings	Network Settings	Selecting Network Settings restores all of the Advanced settings in the network settings menu to their default setting values.	
	Clear All Data and Settings	Selecting Clear All Data and Settings restores all settings to their default setting values.	

Control Panel Menu

Item	Parameter	Explanation
Maintenance Setting		
Cleaning Setting		
Threshold of Clogged Nozzles	1 to 70 (5*)	<p>The printer constantly monitors the condition of the print head nozzles while printing, so you can select settings for when clogged nozzles (missing nozzles) are detected during monitoring.</p> <p>When the number of clogged nozzles that are detected exceeds the number set in Threshold of Clogged Nozzles, Head Cleaning is executed as part of maintenance.</p> <p>Max Retry Cleaning Count sets the number of times maintenance can be retried if the clogged nozzles are not cleared after maintenance is done.</p> <p>When Maintenance Schedule is set to Between Jobs, then maintenance is done after completing the job during which clogged nozzles were detected, but before the next print job starts. With When Detected, printing is stopped when a clogged nozzle is detected, and then maintenance is done. Because cleaning is done while printing, printing may be disturbed or head striking may occur.</p>
	Max Retry Cleaning Count	
	0*	
	1	
	2	
	Maintenance Schedule	
Between Jobs*		
	When Detected	
Nozzle Compensation	On*	Normally, select On .
	Off	When On is selected, printing is done by using normal nozzles to compensate for the ink that could not be ejected by clogged nozzles.
Actions Beyond Threshold of Missing Nozzles	Stop Printing	<p>Sets the action when the number of clogged nozzles that are detected exceeds the number set in Threshold of Clogged Nozzles.</p> <p>When Stop Printing is selected, the message Auto Nozzle Maintenance found that the allowable number of clogged nozzles has been exceeded. The print quality may decline. is displayed on the control panel screen, printing is stopped, and the printer enters standby status.</p> <p>When Show Alert is selected, printing continues without stopping while the message remains displayed.</p> <p>When Auto Cleaning is selected, cleaning is performed automatically.</p>
	Show Alert*	
	Auto Cleaning	
Maintenance Cleaning		<p>When On is selected, Head Cleaning is performed automatically when the printer is not used for a specified period or before starting a job. This cleaning ejects sedimented ink in the ink tubes to prevent print quality from falling.</p>
On		
Interval		
Scheduled	1 to 240 hours (72*)	
Before Job Start		
Cleaning Level	Light	
	Medium*	
	Heavy	
Off*		

Control Panel Menu


Item	Parameter	Explanation
Network Settings		
Network Status	Wired LAN Status	You can check batches of a variety of information in network settings that are set in Advanced . When Print Status Sheet is selected, a list is printed.
	Print Status Sheet	
Advanced		
Device Name		Select a variety of network settings.
TCP/IP	Auto	
	Manual	
Proxy Server	Do Not Use	
	Use	
IPv6 Address	Enable*	
	Disable	
Link Speed & Duplex	Auto*	
	100BASE-TX Auto	
	10BASE-T Half Duplex	
	10BASE-T Full Duplex	
	100BASE-TX Half Duplex	
	100BASE-TX Full Duplex	
Redirect HTTP to HTTPS	Enable*	
	Disable	
Disable IPsec/IP Filtering		Use the pre-installed software Web Config to enable this setting.
Disable IEEE802.1X		You can only disable the setting from the control panel menu. See the following for detailed information on starting Web Config.  "Using Web Config" on page 41

Media Settings Menu

* indicates default settings.

Item	Parameter	Explanation
Current Settings		

Control Panel Menu

Item	Parameter	Explanation
Media	01 XXXXXXXXXXX to 50 XXXXXXXXXXX	Choose the Media Settings to use. The registered name appears in XXXXXXXXXXX.
Media Type		Displays the currently selected Media Type.
Media Width		You can select Media Detection settings. 🔗 "General Settings Menu" on page 101
Advanced Settings		You can change the Advanced Settings for the registered media selected in Media . See the following table for details on the setting content. 🔗 "Media Management items" on page 114
Print Adjustments		
Automatic Adjustment		<p>Automatic Adjustment is performed in the following cases.</p> <ul style="list-style-type: none"> <input type="checkbox"/> When media settings for EMX files are registered to the printer <input type="checkbox"/> When changing Advanced Settings after saving Media Settings <input type="checkbox"/> When using media of different widths, even if they are of the same media type <p>If an error occurs during Automatic Adjustment or you notice banding or graininess in the print results, perform Manual Adjustment. See the following for more information. 🔗 "Optimizing Media Settings (Automatic Adjustment)" on page 59</p>
Manual Adjustment		
Media Feed Adjustment	Manual (Standard) Manual (Measurement)	
Print Head Alignment		
Media Management		
	01 XXXXXXXXXXX to 50 XXXXXXXXXXX	Change the registered Media Settings. 🔗 "Media Management items" on page 114 Press the  area to the right of Media Settings to copy the currently selected settings to another media setting number, or initialize all settings.
Remaining Amount Management		
Remaining Amount Management	On	<p>When On is selected, you can select Remaining Amount and Remaining Alert. Setting each item to manage the remaining amount makes it easier to know when it is time to replace the media.</p> <p>Once this is set to On, when you have loaded the media, you will be prompted to enter the registered media settings number and the media length (Remaining Amount).</p>
	Off*	
Remaining Amount	1.0 to 999.9 m (50.0 m*) (3.3 to 3280.5 ft [164.0 ft*])	Sets the total length of the loaded media. You can set in increments of 0.1 m (0.1ft). The amount of media remaining is estimated based on the length you set here and the length of the printout, and is displayed on the Home screen.
Remaining Alert	1.0 to 15.0 m (5.0 m*) (3.3 to 49.2 ft [16.4 ft*])	Sets a value at which point a warning message is displayed to inform you that the remaining amount of media is too low. You can set in increments of 0.1 m (0.1 ft).
Print Length Management		


Control Panel Menu

Item	Parameter	Explanation
Auto Reset	Off*	Select Off (do not automatically reset the value for print length) or Before Job Start (reset when starting to print the next job).
	Before Job Start	When Off is selected, the value does not reset until you perform Manual Reset . However, once the value reaches 9999, it automatically resets and returns to 0. When Before Job Start is selected, the value returns to 0 when printing starts for the next job so you can check the print length per job. You can also check how far along the print job is while printing.
Manual Reset		When a reset is performed, the value for print length returns to 0.

Media Management items

When you select the Media Type when loading media, or download an EMX file using the supplied Epson Edge Print or Epson Edge Dashboard and register the media setting values to the printer, the media setting values are already set to match the media being used and therefore do not need to be changed normally. When using special media or when a problem such as head striking or banding is detected in printing results, change the default.


The default settings for each of the following items differ depending on the content set in **Media Type**.

Item	Parameter	Explanation
Change Name		Assign a name of up to 20 characters to the Media Settings being saved. Using distinctive names makes it easier to select banks for use.
Media Type	Adhesive Vinyl	Select the Media Type that matches the type of media you have loaded. The printer stores the optimum media settings according to the Media Type. When the Media Type is changed, each setting for media registered to the current media setting number changes to the value for the Media Type after changing.  "Media Settings List for Each Media Type" on page 149
	Banner	
	Film	
	Textile	
	Paper/Other	
	Canvas	
Advanced Settings		In most situations, use the values set for each media type as they are. When using special media or when a problem such as head striking or banding is detected in printing results, change the default.

Control Panel Menu

Item	Parameter	Explanation
Pre-Heater		
Pre-Heater	On	Select whether or not (On/Off) to use the pre-heater. When this is set to Off , the Pre-Heater does not heat up.
	Off	
Temperature	30 to 55°C (86 to 131°F)	Heats up to the temperature set here in the following cases. <ul style="list-style-type: none"> <input type="checkbox"/> When a print job is received <input type="checkbox"/> When pre-heating begins (including warming up the print head)
Platen Heater		
Platen Heater	On	Select whether or not (On/Off) to use the platen heater. When this is set to Off , the platen heater does not heat up.
	Off	
Temperature	30 to 50°C (86 to 122°F)	Heats up to the temperature set here in the following cases. <ul style="list-style-type: none"> <input type="checkbox"/> When a print job is received <input type="checkbox"/> When pre-heating begins (including warming up the print head) If the temperature of the platen heater is too high, it may cause nozzle clogging.
After Heater		
After Heater	On	Select whether or not (On/Off) to use the after heater. When this is set to Off , the after heater does not heat up.
	Off	
Temperature	30 to 55°C (86 to 131°F)	Heats up to the temperature set here in the following cases. <ul style="list-style-type: none"> <input type="checkbox"/> When a print job is received <input type="checkbox"/> When pre-heating begins (including warming up the print head)

Control Panel Menu

Item	Parameter	Explanation
Drying Time per Pass	0.0 to 10.0 Secs	
Proceed to Drying after Print	No Rewind	Select whether to feed the end of the printout to the after heater position after printing (No Rewind, Rewind) or not to feed it (Off).
	Rewind	When No Rewind is set, the media that has been fed for drying is not rewind when the next job is received. This is suitable for printing the next job after cutting the media.
	Off	When Rewind is set, the media that has been fed for drying is automatically rewind before printing when the next print job is received, which avoids creating any unnecessary margins. This is suitable for continuous, consecutive printing. If you need to cut the media when Rewind is set, hold down the [] button (rewind button) to return the end of the printout to the cutter groove before cutting. If you cut the media without rewinding, the next print job will not be performed correctly.
Print Head Warm Up	Long	If you notice horizontal banding or incorrect colors in the printouts, condensation may have formed on the print head surface. This issue may occur when the ambient temperature is low or when printing large areas at a high ink density. When this function is enabled, the printer automatically warms up when a print job is received to prevent condensation on the print head surface. Printing starts when the temperature of the heater and print head reaches the target temperature. If the issue continues even after setting this to Short , try setting it to Long . Setting this to Long increases the effectiveness of condensation prevention, but it also increases the warm-up time. This function does not work if the Platen Heater setting is set to Off .
	Short	
	Off	
Platen Gap	1.6	Set the Platen Gap (the distance between the print head and the media).
	2.0	In most situations, use the values set for each media type as they are. If the print results are scratched or smudged, they may be improved by setting a larger value. However, choosing a larger gap than required may result in ink stains inside the printer, reduced print quality, or shorter product life.
	2.5	
Feeding Tension	Lv1 to Lv4	In most situations, use the values set for each Media Type as they are. Increase tension if creases appear in the media during printing. The higher the value, the greater the tension.
Paper Suction	Lv0 to Lv10	Set the strength of the suction by the platen heater on the media. The higher the value, the greater the suction. In most situations, use the values set for each Media Type as they are. If the media is wavy on the platen heater, increase the setting. If graininess or out-of-focus characteristics are detected in printing results obtained using thin or soft media or if the media is not fed normally, reduce the set value.

Control Panel Menu

Item	Parameter	Explanation
Head Movement Range	Data Width	<p>Choose the range over which the print head moves during printing.</p> <p>Data Width: The print head moves within the range of the print data's width. Restricting the extent of the print heads' movement increases print speed.</p> <p>Printer Width: The print head moves within the range of the printer's maximum media width. Select this option for more even print results with less variation.</p> <p>Media Width: The print head moves within the range of the width of the media that is loaded.</p>
	Printer Width	
	Media Width	
Multi-Strike Printing	On (2 to 8)	Choose the number of times each line is printed.
	Off	To perform high-density printing, increase the frequency.
Media Feed Speed Limitation	On	Normally, leave this Off .
	Off	<p>Set this to On if media sticks, wrinkles, or tears easily when printing on thin media.</p> <p>When this is set to On, print speed slows down.</p>
Pressure Roller Load	Light	<p>In most situations, use the values set for each Media Type as they are. If the following occurs when printing, you may be able to eliminate the problem by changing the Pressure Roller Load to Light.</p> <ul style="list-style-type: none"> <input type="checkbox"/> Wrinkling around the pressure rollers. <input type="checkbox"/> Staining due to the media striking the print head. <input type="checkbox"/> Pressure rollers leaving marks on the media.
	Medium	
	Heavy	
Skew Reduction	On	<p>Select whether or not (On/Off) the printer performs operations to correct media skew (media fed skewed) when media is loaded. Normally, leave this On. Set this to Off if the media shows marks from the rollers due to skew corrections.</p>
	Off	
Roll Winding Direction	Printable Side Out	Set this according to the winding direction of the media being loaded.
	Printable Side In	
Take-Up	Standard	Normally, select Standard .
	Strength Tension	Set this to Strength Tension when printing on media that is prone to static electricity and sticking or becomes wavy, making it difficult to take-up. If the issue continues even when this is set to Strength Tension , use media that is less prone to static electricity.
Skip Wrinkled Media	Off	Normally, leave this Off .
	On (10 to 1000 mm)	To avoid printing on any wrinkled area at the leading edge of the media, we recommend setting the length to 500 mm. However, if you want to set a different length depending on the media you are using and the print content, you can set the length so that printing is not performed within a range of 10 to 1000 mm from the leading edge. Set the length in increments of 10 mm. However, no media is fed when jobs are continuous.

Control Panel Menu





Item	Parameter	Explanation
Periodic Cleaning		
Auto*		Performs periodic head cleaning at the optimal time based on the media settings.
Manual		When setting the frequency according to how often you use the printer, set it to Manual .
Execution Timing		Set the frequency of periodic cleaning to Print Duration , Print Page , or Print Length .
Print Duration	1 to 1440 minutes	Print Duration sets how many minutes of printing time to wait before cleaning the print head.
Suspend until Next Page	On*	Normally, leave Suspend until Next Page set to On . If you set Suspend until Next Page to Off , head cleaning is performed even during printing when it is time for periodic cleaning.
	Off	
Print Page	1 to 100 pages	Print Page sets how many pages to print before cleaning the print head.
Print Length*	1.0 to 100.0 m (3.3 to 328.1 ft)	Print Length sets the length of media to print before cleaning the print head.
Pre-execute on previous page	On*	Normally, leave Pre-execute on previous page set to On . If you set Pre-execute on previous page to Off , head cleaning is performed even during printing when it is time for periodic cleaning.
	Off	
Cleaning Level	Extra Light*	Cleaning Level sets the strength of the head cleaning.
	Light	
	Medium	
	Heavy	

Maintenance Menu



* indicates default settings.

Item	Explanation				
Print Head Nozzle Check	Print a pattern, and then check the status of the nozzles for the print head. Inspect the pattern visually and perform Head Cleaning if you detect any gaps in the pattern.				
Print Position	<table border="1"> <tr> <td>Right</td> <td rowspan="3">See the following for details. "Print Head Nozzle Check" on page 84</td> </tr> <tr> <td>Center</td> </tr> <tr> <td>Left</td> </tr> </table>	Right	See the following for details. "Print Head Nozzle Check" on page 84	Center	Left
Right	See the following for details. "Print Head Nozzle Check" on page 84				
Center					
Left					
Head Cleaning					

Control Panel Menu

Item	Explanation														
<table border="1"> <tr> <td colspan="2" data-bbox="172 293 675 338">Auto Cleaning</td> </tr> <tr> <td data-bbox="172 338 440 454">Cleaning (Light)</td> <td data-bbox="440 338 675 454"> <table border="1"> <tr> <td data-bbox="448 349 667 394">Select Nozzles</td> </tr> <tr> <td data-bbox="448 394 667 454">All Nozzles</td> </tr> </table> </td> </tr> <tr> <td data-bbox="172 454 440 566">Cleaning (Medium)</td> <td data-bbox="440 454 675 566"> <table border="1"> <tr> <td data-bbox="448 465 667 510">Select Nozzles</td> </tr> <tr> <td data-bbox="448 510 667 566">All Nozzles</td> </tr> </table> </td> </tr> <tr> <td data-bbox="172 566 440 678">Cleaning (Heavy)</td> <td data-bbox="440 566 675 678"> <table border="1"> <tr> <td data-bbox="448 577 667 622">Select Nozzles</td> </tr> <tr> <td data-bbox="448 622 667 678">All Nozzles</td> </tr> </table> </td> </tr> </table>	Auto Cleaning		Cleaning (Light)	<table border="1"> <tr> <td data-bbox="448 349 667 394">Select Nozzles</td> </tr> <tr> <td data-bbox="448 394 667 454">All Nozzles</td> </tr> </table>	Select Nozzles	All Nozzles	Cleaning (Medium)	<table border="1"> <tr> <td data-bbox="448 465 667 510">Select Nozzles</td> </tr> <tr> <td data-bbox="448 510 667 566">All Nozzles</td> </tr> </table>	Select Nozzles	All Nozzles	Cleaning (Heavy)	<table border="1"> <tr> <td data-bbox="448 577 667 622">Select Nozzles</td> </tr> <tr> <td data-bbox="448 622 667 678">All Nozzles</td> </tr> </table>	Select Nozzles	All Nozzles	<p>Execute Head Cleaning. Perform Auto Cleaning first. If this does not clear the clogs, perform Cleaning (Light), then Cleaning (Medium), and then Cleaning (Heavy) until the clogs are cleared.</p> <p>If nozzles are still clogged even after performing Cleaning (Heavy), check the following for information on what to try next.</p> <p> "Head Cleaning" on page 85</p>
Auto Cleaning															
Cleaning (Light)	<table border="1"> <tr> <td data-bbox="448 349 667 394">Select Nozzles</td> </tr> <tr> <td data-bbox="448 394 667 454">All Nozzles</td> </tr> </table>	Select Nozzles	All Nozzles												
Select Nozzles															
All Nozzles															
Cleaning (Medium)	<table border="1"> <tr> <td data-bbox="448 465 667 510">Select Nozzles</td> </tr> <tr> <td data-bbox="448 510 667 566">All Nozzles</td> </tr> </table>	Select Nozzles	All Nozzles												
Select Nozzles															
All Nozzles															
Cleaning (Heavy)	<table border="1"> <tr> <td data-bbox="448 577 667 622">Select Nozzles</td> </tr> <tr> <td data-bbox="448 622 667 678">All Nozzles</td> </tr> </table>	Select Nozzles	All Nozzles												
Select Nozzles															
All Nozzles															
<table border="1"> <tr> <td data-bbox="172 689 675 786">Print Head Fluff & Ink Mist Removal</td> </tr> </table>	Print Head Fluff & Ink Mist Removal	<p>If performing Head Cleaning does not resolve issues such as ink drops or streaks in the printouts, perform Print Head Fluff & Ink Mist Removal.</p>													
Print Head Fluff & Ink Mist Removal															
<table border="1"> <tr> <td data-bbox="172 808 675 1167">Print Head Warm Up</td> </tr> </table>	Print Head Warm Up	<p>If you notice horizontal banding or incorrect colors in the printouts, condensation may have formed on the print head surface. This issue may occur when the ambient temperature is low or when printing large areas at a high ink density. If you enable Print Head Warm Up in Media Management, the printer automatically warms up when a print job is received to prevent condensation on the print head surface. Printing starts when the temperature of the heater and print head reaches the target temperature. To shorten the warm-up time, perform this function just before sending the print job.</p> <p>When this function is selected, warm-up begins.</p> <p>This function does not work if the Platen Heater setting is set to Off.</p>													
Print Head Warm Up															
<table border="1"> <tr> <td data-bbox="172 1189 440 1346">Cleaning the Maintenance Parts</td> <td data-bbox="440 1189 675 1346"> <table border="1"> <tr> <td data-bbox="448 1200 667 1267">Print Head/Area around the Cap</td> </tr> <tr> <td data-bbox="448 1267 667 1346">Media Cleaner</td> </tr> </table> </td> </tr> </table>	Cleaning the Maintenance Parts	<table border="1"> <tr> <td data-bbox="448 1200 667 1267">Print Head/Area around the Cap</td> </tr> <tr> <td data-bbox="448 1267 667 1346">Media Cleaner</td> </tr> </table>	Print Head/Area around the Cap	Media Cleaner	<p>Start cleaning the selected parts. See the following for more information on cleaning.</p> <p> "Cleaning Around the Print Head/Area Around the Cap" on page 77</p> <p> "Cleaning the Media Cleaner" on page 76</p>										
Cleaning the Maintenance Parts	<table border="1"> <tr> <td data-bbox="448 1200 667 1267">Print Head/Area around the Cap</td> </tr> <tr> <td data-bbox="448 1267 667 1346">Media Cleaner</td> </tr> </table>	Print Head/Area around the Cap	Media Cleaner												
Print Head/Area around the Cap															
Media Cleaner															
<table border="1"> <tr> <td data-bbox="172 1368 440 1771">Print Head Nozzle Limitation</td> <td data-bbox="440 1368 675 1771"> <table border="1"> <tr> <td data-bbox="448 1379 667 1424">On</td> </tr> <tr> <td data-bbox="448 1424 667 1771">Off*</td> </tr> </table> </td> </tr> </table>	Print Head Nozzle Limitation	<table border="1"> <tr> <td data-bbox="448 1379 667 1424">On</td> </tr> <tr> <td data-bbox="448 1424 667 1771">Off*</td> </tr> </table>	On	Off*	<p>Set the print heads to use for printing.</p> <p>For example, if there is a clogged nozzle in one print head and the clog cannot be cleared after repeated head cleaning, you can continue printing using the unclogged print head. Use this when you want to solve the problem without interrupting the printing work.</p> <p><input type="checkbox"/> When the print head needs to be replaced, continue work until it is replaced.</p> <p>Confirm the check pattern printed by Print Head Nozzle Check, and then select the print head that is not clogged.</p> <p>Using the Print Head Nozzle Limitation function increases the print time. This could also reduce print quality. We recommend using it only during the time until the clogged nozzles can be cleared.</p>										
Print Head Nozzle Limitation	<table border="1"> <tr> <td data-bbox="448 1379 667 1424">On</td> </tr> <tr> <td data-bbox="448 1424 667 1771">Off*</td> </tr> </table>	On	Off*												
On															
Off*															
<table border="1"> <tr> <td data-bbox="172 1794 675 1883">Replace Maintenance Parts</td> </tr> </table>	Replace Maintenance Parts	<p>If you are replacing the maintenance parts before the message indicating that it is time to replace them appears on the control panel's screen, do so from this menu.</p>													
Replace Maintenance Parts															
<table border="1"> <tr> <td data-bbox="172 1906 675 2040">Replace Waste Ink Bottle</td> </tr> </table>	Replace Waste Ink Bottle	<p>If you are replacing the waste ink bottle before the message indicating that it is time to replace the waste ink bottle appears on the control panel's screen, do so from this menu.</p> <p> "When you want to replace it at any time" on page 81</p>													
Replace Waste Ink Bottle															

Control Panel Menu

Item	Explanation
Keeping Preparation	<p>Be sure to perform this procedure in advance if you are not going to use the printer for two weeks or more (the power is off). See the following for more information.</p> <p> "Pre-maintenance When Not Using the Printer for an Extended Period" on page 87</p>
Move/Transport	<p>Prepares the printer for moving or transporting. When moving the printer, perform this step in advance, if necessary.</p> <p>Before transporting the printer, contact your dealer or Epson Support. See the following for more information.</p> <p> "Moving and Transporting the Printer" on page 135</p>
Ink Circulation Cleaning	<p>This circulates the white ink in the print head and tubes.</p> <p>Automatic ink circulation may occur between pages when printing multiple copies in a batch. In this case, colors may appear different before and after circulation, and printing may take longer. Perform this procedure before starting the print job to avoid interruptions due to automatic ink circulation.</p>
Print Head Refresh	<p>Perform this if you notice uneven shading (areas with inconsistent color depth) in the printouts.</p>
Head Washing	<p>Perform this if nozzle clogging is not cleared after performing head cleaning several times and cleaning around the print head.</p> <p>Check for any faint or missing sections in each color of the nozzle check pattern to select the areas that need to be washed. Select All Nozzles when there are faint or missing sections all over.</p> <p>Head washing uses the following number of cleaning ink supply units (sold separately).</p> <p>When specific rows are selected in Select Nozzles: Number of check marks x 2</p> <p>When All Nozzles is selected: 10 for 10 Color Mode, 11 for 11 Color Mode (With WH)</p>

Supply Status Menu

Displays the amount of wear and the model number for each consumable item.

 ["Options and Consumable Products" on page 132](#)

Control Panel Menu

Replacement Part Information Menu

Item	Explanation
Suction Cap	Contact your dealer or Epson Support for assistance.
Ink Supply Pump	
Ink Tube	
Ink tube connector	
Ink Pans	
Cloth Wiper Carriage	
Carriage Motor	
Media Feed Motor	
Circulation Pump Unit	

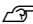
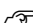

Printer Status Menu

Item	Explanation	
Firmware Version	Printer	Displays the selected information.
	Print head	
Printer Name		
Fatal Error Log		
Operation Report	Total Print Area	
	Total Media Feed Length	
	Total Carriage Pass	


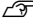

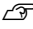


Problem Solver

When a Message is Displayed

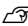

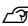
If one of the following messages is displayed, read and follow the instructions below.

Messages	What to do
The waste ink bottle is nearing the end of its service life. Prepare a new one. You can continue printing until replacement is required.	The waste ink bottle is getting full. Make sure you have a new waste ink bottle ready.  "Options and Consumable Products" on page 132
Ink supply unit is not recognized. Try installing again. Ink supply unit is not recognized. Please replace the XXXXX.	XXXXXX represents the target ink color. Install the ink supply unit again. If the message persists, insert a new ink supply unit (do not reinsert the ink supply unit that caused the error).
The heater is warming up.	One or more heaters is still being warmed to the specified temperature. To start printing while the heater temperature is low, press Start to display a confirmation screen, and then press OK to start.
The media and print head are contacting. Check whether the print results are clean. Printing can continue.	If you check the print results and they are dirty, stop printing and clean around the print head.  "Cleaning Around the Print Head/Area Around the Cap" on page 77 North America and Latin America At the same time, refer to "Head Strikes" in the online <i>Troubleshooting & Tips</i> to take measures so striking does not reoccur. Other regions At the same time, refer to "Head Strikes" of "Troubleshooting & Tips" in the <i>Online Manual</i> to take measures so striking does not reoccur.
XXXXX is nearing the end of its service life.	The replacement interval is approaching for the part that is shown. Make sure you have a new part ready.
The media is not attached to the roll core on the auto take-up reel unit. Attach the media.	Media is not correctly attached to the auto take-up reel unit. If this happens while printing, press Pause to stop printing. Flip the Auto switch on the auto take-up reel unit to the Off position, then flip it back and reattach the media to the auto take-up reel unit.  "Using the Auto Take-up Reel Unit" on page 48

Problem Solver

Messages	What to do
<p>The roll core is spinning. Check whether the media is loose. Printing can continue.</p> <p>Take-up reel stopped because the roll core was spinning. Reload media correctly on the take-up reel.</p> <p>The roll core is spinning. Remove the media from the media holder, and then reload the media.</p>	<p>Media is not correctly attached to the media feeding unit or the auto take-up reel unit.</p> <p>Check the condition of the media and reattach it correctly if necessary.</p> <p> "Loading Media" on page 46</p> <p> "Using the Auto Take-up Reel Unit" on page 48</p>
<p>The inside of the printer is hot. Lower room temperature.</p>	<p>Lower the temperature of the room until it is within the temperature range described in the "Specifications Table."</p> <p> "Specifications Table" on page 153</p>
<p>The inside of the printer is hot, so it cannot be used. Wait for printer to cool down, and then turn on the power.</p>	<p>Turn off the printer's power, and lower the temperature of the room until it is within the temperature range described in the "Specifications Table."</p> <p>When the temperature of the room has fallen, turn on the printer's power.</p> <p>The same error will occur, even with the power on, if the temperature has not completely fallen.</p> <p> "Specifications Table" on page 153</p>
<p>The media is low.</p>	<p>The remaining amount of loaded media is running low. Prepare new media.</p>
<p>The media is not loaded correctly. Lower the media loading lever towards the rear, remove the media, and then reload the media.</p>	<p>Media was not correctly loaded. Refer to the following, and load the media correctly.</p> <p> "Loading Media" on page 46</p>
<p>There is a problem with the media or the print results; auto adjust cannot be done. Adjust manually.</p> <p>The scanning device may be malfunctioning. Contact Epson Support. Manual adjustment is possible.</p>	<p>Pressing OK cancels the error.</p> <p>When doing Auto execution of Print Adjustments, execution is not possible for the following media, settings, and environment.</p> <ul style="list-style-type: none"> <input type="checkbox"/> Media with an uneven surface <input type="checkbox"/> Media that bleeds-through easily <input type="checkbox"/> The printer is used in a place that is exposed to direct sunlight or interference from other ambient light sources. <p>In these cases, execute the manual adjustment.</p> <p> "Optimizing Media Settings (Automatic Adjustment)" on page 59</p> <p>If the printer is exposed to interference from ambient light sources, shade the printer from these sources and perform the function again; it may succeed. When the function has failed after shading the printer, execute the manual adjustment.</p> <p>If the above items do not apply, and the same error occurs again, contact your dealer or Epson Support.</p>

Problem Solver

Messages	What to do
[XXXXX] is different from the winding direction of the loaded roll media. Open the Printer Cover and load the media again.	<p>XXXXX represents the Roll Winding Direction setting that was selected when loading media.</p> <p>Does the Roll Winding Direction selected when loading media match the actual winding direction?</p> <p>Move the media loading lever to the back to resolve the error. Move the media loading lever forward again, and follow the printer's on-screen instructions to reset the Roll Winding Direction correctly.</p>
It is time to clean the XXXXX.	<p>XXXXX represents the name of the part to be cleaned.</p> <p>Parts requiring periodic cleaning are displayed when it is time for cleaning. Follow the cleaning instructions for each part.</p>
Clean the Print Head/Area around the Cap.	<p>The print head and the area around the cap are dirty and need to be cleaned. Follow the instructions on the control panel screen to check and clean the areas that need cleaning.</p> <p> "Cleaning Around the Print Head/Area Around the Cap" on page 77</p>
Failed to inspect the condition of nozzles. Cannot run "Auto Cleaning". Select cleaning strength manually and run Cleaning.	<p>The printer has exceeded the temperature at which printer operations are guaranteed. Adjust the temperature of the room, to start using the printer again.</p> <p> "Specifications Table" on page 153</p>
The combination of the IP address and the subnet mask is invalid. For details, see your documentation.	<p>Make sure you have entered the correct values for the IP address and the default gateway.</p> <p>If you do not know the correct values, contact your network administrator.</p>
Communication between the network and the printer is unstable. You may be able to resolve this by setting IEEE802.3az (Energy Efficient Ethernet) to "Off". For details, see your documentation.	<p>When the IEEE802.3az feature is set to On, the network connection may become unstable depending on your environment, resulting in printing issues.</p> <p>Press OK to finish printing.</p> <p>See the following and use WebConfig to set the IEEE802.3az feature to Off.</p> <p> "Configuring settings" on page 126</p>
Recovery Mode	<p>Firmware update failed, and the printer started in recovery mode. Follow the steps below to update the firmware again.</p> <ol style="list-style-type: none"> 1. Connect the computer and the printer with a USB cable (updates cannot be performed over a network connection when the printer is in recovery mode). 2. Download the latest firmware from the Epson website, and then start the update.
The media feeding unit cannot be recognized. Turn off the power and check whether the media feeding unit is connected correctly. XXXXXX	<p>Turn off the printer, disconnect and reconnect the communication cable connector for the media feeding unit, and then turn the printer back on.</p> <p>If the same call for service is displayed on the LCD panel, contact your dealer or Epson Support for assistance. Tell them the call for service code is "XXXXXX".</p>

Problem Solver

When a Maintenance Call/Printer Error Occurs

Error messages	What to do
Maintenance Request: Replace Parts Soon XXXXXXXX	A part used in the printer is nearing the end of its service life. Contact your dealer or Epson Support and tell them the maintenance request code.
Maintenance Request: End of Parts Service Life XXXXXXXX	You cannot clear the maintenance request until the part is replaced. A printer error occurs if you continue to use the printer.
Printer error. For details, see your documentation. XXXXXX	Printer errors are displayed in the following situations. <ul style="list-style-type: none"> <input type="checkbox"/> The power cable is not connected securely <input type="checkbox"/> An error that cannot be cleared occurs When a printer error occurs, the printer automatically stops printing. Turn off the printer, disconnect the power cables from the outlets and from the AC inlets on the printer, and then reconnect. Turn on the printer again. If the same call for service is displayed on the LCD panel after turning the printer off and on several times using the procedure above, contact your dealer or Epson Support for assistance. Tell them the call for service code is "XXXXXX".

Troubleshooting

You Cannot Print (Because the Printer Does Not Work)

The printer does not turn on.

■ **Are the power cables plugged into the electrical outlets and the printer?**

Make sure the power cables are securely plugged into the printer.

■ **Is there any problem with the electrical outlets?**

Make sure your outlets work by connecting the power cable for another electric product.

The printer is not communicating with the computer.

■ **Is the cable plugged in properly?**

Make sure the printer's interface cable is securely plugged into the correct terminals of the computer and the printer. Also, make sure the cable is not broken nor bent. If you have a spare cable, try connecting with the spare cable.

■ **Does the interface cable meet the required specifications?**

Make sure the interface cable meets the required specifications.

 ["Specifications Table" on page 153](#)

■ **When using a USB hub, is it being used correctly?**

In the USB specification, daisy-chains of up to five USB hubs are possible. However, we recommend that you connect the printer to the first hub connected directly to the computer. Depending on the hub you are using, the operation of the printer may become unstable. If this should occur, plug the USB cable directly into your computer's USB port.

■ **Is the USB hub recognized correctly?**

Make sure the USB hub is recognized correctly on the computer. If it is, disconnect the USB hub from the computer and connect the computer directly to the printer. Ask the USB hub manufacturer about USB hub operation.

You cannot print under the network environment.

■ **Are the network settings correct?**

Ask your network administrator for the network settings.

■ **Connect the printer directly to the computer using a USB cable, and then try to print.**

If you can print via USB, there are some problems on the network environment. Ask your system administrator, or refer to the manual for your network system. If you cannot print via USB, see the appropriate section in this User's Guide.

■ **Is the network connection unstable?**

Turn off the router, wait for about 10 seconds, and then turn it back on.

■ **Are you using a wired LAN connection with a device that supports IEEE802.3az (Energy Efficient Ethernet)?**

When using a wired LAN connection with a device that supports IEEE802.3az (Energy Efficient Ethernet), the connection may become unstable or disconnect, or the communication may slow down.

Follow the steps below to disable IEEE802.3az on the printer and then connect.

Configuring settings

1

Disconnect the LAN cables connected to the computer and the printer.



2

Disable IEEE802.3az on your computer if it is enabled.

3

Connect the computer and the printer directly with a LAN cable.

Problem Solver

- 4 On the printer, check the printer's IP address in  (menu) - **General Settings** - **Network Settings** - **Network Status** - **Wired LAN Status**.
- 5 On the computer, start Web Config. Start a Web browser and enter the printer's IP address.
- 6 Log in as an administrator.
Logging in  ["Using Web Config" on page 41](#)
- 7 Select the **Network Settings** tab - **Wired LAN**.
- 8 Set **IEEE802.3az** to **Off**.
- 9 Click **Next**.
- 10 Click **Settings**.
- 11 Disconnect the LAN cable that directly connects the computer and the printer.
- 12 If you disabled IEEE802.3az on your computer in step 2, enable it now.
- 13 Reconnect the LAN cables that you disconnected in step 1 to the computer and the printer.

If the issue continues after following the steps above, a device other than the printer may be causing the problem.

The printer has an error.

- **View the message displayed in the control panel.**

 ["Control panel" on page 18](#)

 ["When a Message is Displayed" on page 122](#)

The Printer Sounds Like It Is Printing, but Nothing Prints

The print head moves, but nothing prints.

- **Confirm the printer operation.**

Print a check pattern. Check patterns can be printed without connecting the printer to a computer and hence can be used to check printer function and status.

 ["How to Print a Nozzle Check Pattern" on page 84](#)

Refer to the following section for information on what to do if the pattern does not print correctly.

Check pattern does not print correctly.


- **Perform head cleaning.**

The nozzles may be clogged. Print a check pattern again after performing head cleaning.

 ["Head Cleaning" on page 85](#)

- **Has the printer been left unused for a long time?**

If the printer has not been used for a long time, the nozzles may have dried up and clogged.

Steps to take when the printer has not been used for a long time  ["Notes when not using the printer" on page 29](#)

Problem Solver

The Prints Are Not What You Expected

Print quality is poor, uneven, too light, too dark, obvious graininess, or the tone differs.

■ Are the print head nozzles clogged?

If the nozzles are clogged, specific nozzles do not fire ink and the print quality declines. Try printing a check pattern.

[🔗 "How to Print a Nozzle Check Pattern" on page 84](#)

■ Perform Print Adjustments.

There is a slight gap between the print head and the media, so the colors may be applied in slightly different positions due to the following factors.

- Difference in the direction the print head is moving (right to left or left to right)
- Temperature and humidity
- Inertial force of movement of the print head

This may cause the print results to show obvious graininess or to appear out-of-focus.

Also, large discrepancies in the feed amount may cause banding (horizontal banding, tint unevenness, or stripes).

You can adjust color position differences and the amount of media that is fed by doing **Print Adjustments**. Perform **Print Head Alignment** and **Media Feed Adjustment** for Media Settings and adjust according to the media being used.

[🔗 "Optimizing Media Settings \(Automatic Adjustment\)" on page 59](#)

■ Are you using a genuine Epson ink supply unit?

This printer is developed for use with genuine Epson ink supply units. If you use non-Epson ink, printouts may be faint, or the color of the printed image may be changed because the remaining ink level is not correctly detected. Be sure to use the correct ink supply unit.

■ Are you using an old ink supply unit?

The print quality declines when an old ink supply unit is used. Replace the old ink supply unit with a new one. Use all of the ink in the ink supply unit before the date printed on the package or within a year of installing the ink supply unit in the bulk ink solution, whichever is sooner.

■ Are the heaters at the correct temperature?

Raise the temperature if the print results are blurred or smudged or the ink clots. Note, however, that raising the temperature too high can cause the media to shrink, wrinkle, or deteriorate.

In addition, the heaters may require some time to reach the desired temperature if the ambient temperature is low. The heaters may also not have the desired effect after reaching the selected temperature if the media is too cold. Allow the media to warm to room temperature before use.

■ Are media settings correct?

Confirm that the media settings in the software RIP or on the printer match the media actually in use.

■ Are you printing with Head Movement Range set to Data Width?

When **Head Movement Range** is set to **Data Width** in the settings menu, the print quality may slightly decrease in exchange for faster speed. For higher printing quality, set **Head Movement Range** to **Printer Width** or **Media Width**.

[🔗 "Media Settings Menu" on page 112](#)

■ Are you comparing the printing results to the image on the display monitor?

Since monitors and printers produce colors differently, printed colors will not always match on-screen colors perfectly.

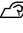
■ Was a printer cover opened during printing?

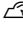
Opening the printer cover or maintenance cover during printing causes the print head to stop abruptly, resulting in uneven colors. Do not open the covers while printing is in progress.

Problem Solver

■ Shake the White ink supply unit.

When using 11 Color Mode (With WH), the White ink may have sedimented (components settling to the bottom of the liquid). Remove the ink tray, shake it well, and then perform **Ink Circulation Cleaning** several times.

Shaking the Ink Supply Units  "Shaking" on page 78

Ink Circulation Cleaning  "Maintenance Menu" on page 118

If the issue continues to occur, perform **Print Head Refresh**.

 "Maintenance Menu" on page 118


■ Is the media wide enough for the print data?

Although printing normally stops if the print image is wider than the media, data will be printed beyond the edges of the media if **Off** is selected for **Width Detection** in the settings menu. Choose **On** for **Width Detection** in the settings menu.

 "General Settings Menu" on page 101

Vertical ruled lines are misaligned.

■ Is the media wavy?

Certain types of media may develop waves under some conditions (humidity and temperature) while installed in the printer. If a wave has developed, press the  button in the control panel to feed the media and avoid the affected area. We recommend that you lower the temperature and humidity to prevent waves from developing.

■ Is the print head misaligned?

If the print head is misaligned, ruled lines may be misaligned accordingly. When vertical ruled lines are misaligned, select **Print Head Alignment** to adjust print head misalignment that occurs during printing.

 "Print Head Alignment" on page 61

The print is not positioned properly on the paper.

■ Is the media loaded correctly and are the margins correct?

If the media is not loaded correctly, the results may be off center or part of the data may not be printed. You should also check whether the correct options are selected for side margins and **Print Start Position** in the settings menu.

 "Loading Media" on page 46

 "General Settings Menu" on page 101

■ Is the media skewed?

If the media is not loaded correctly, the media may skew and the print position may be displaced. Be careful of the following, and load the media correctly.

- When pulling out the media, hold the center of the media in one hand, and pull it straight out.
- When you attach the end of the media to the roll core, pull the center section of the media straight down as you affix it.
- When attaching paper tape to the roll core, make sure the media is taut when you attach it to the take-up roll core.

 "Loading Media" on page 46

 "Using the Auto Take-up Reel Unit" on page 48

Media

Media Jams.

■ Is media curled, folded, curved, creased, or wavy?

Cut and remove the curled, folded, curved, creased, or wavy part.

 "Cutting media" on page 54

■ Is media loaded a long time before printing?

The pressure rollers may crease media left in the printer, or the media may also become wavy or curled.

Problem Solver

■ Is the media too thick or too thin?

- ❑ Check the media specifications to determine whether it can be used in the printer.
🔗 ["Supported Media" on page 135](#)
- ❑ For information on how to configure print settings using the software RIP, contact the RIP manufacturer.

■ Is Paper Suction set too high?

- In the media settings, reduce **Paper Suction** (the force that sucks media down the media path).
- 🔗 ["Media Settings Menu" on page 112](#)

■ Is the media sticking together due to static?

- Try changing **Take-Up** to **Strength Tension** in the Media Settings menu.
- 🔗 ["Media Settings Menu" on page 112](#)

Printing does not stop even when the media runs out

■ Is the setting for detecting the end of the media on the printer set to Off?

- If the **End Detection** setting in the Printer Settings menu is set to **Off**, the printer may not be able to detect when the media has run out.
- 🔗 ["General Settings Menu" on page 101](#)

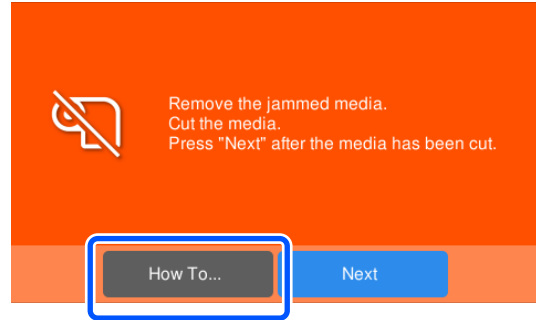
Removing Jammed Media.

Check the error displayed on the control panel screen, and then follow the on-screen instructions to remove the media.

! Important:

Stop using the printer if the media edge plates become deformed. Continuing to use the printer with deformed media edge plates may cause damage to the pressure rollers and print head.

Contact your dealer or Epson Support.



! Caution:

Be careful not to trap your hands or fingers when opening or closing the printer cover. Failure to observe this precaution could result in injury.

Media slips off when printing starts

■ Are you cutting media partway with the Proceed to Drying after Print setting set to Rewind?

If media is cut at the point just after printing and then rewound when the next print job starts, the media may come off the pressure roller and printing cannot be performed.

When cutting after printing, hold down the [⏮] button (rewind button) to rewind the end of the print to the cutter groove before cutting.

Others

Heater automatically turns off

- The **Pre-Heater**, **Platen Heater**, and **After Heater** settings turn **Off** if no print job is received and no errors occur in the printer for a certain time. You can change the time until the heater automatically switches to Off in **Sleep Timer** from the settings menu. 🔗 ["General Settings Menu" on page 101](#)

The heaters will reactivate when a print job is received or preheating starts.

The control panel display keeps turning off.

■ Is the printer in sleep mode?

When no operations are performed on the printer for the time set in **Sleep Timer** in the setup menu, the printer enters sleep mode. You can change the time before entering sleep mode in the General Settings menu.

 ["General Settings Menu" on page 101](#)

Sleep mode is canceled when a print job is received, the media loading lever is used, or another operation involving printer hardware is performed.

The administrator password has been forgotten.

■ Contact your dealer or Epson Support.

The red light is on inside the printer.

■ This is not a failure.

The red light may turn on during normal operation.

Appendix

For the latest information, see the Epson Web site. (as of August, 2024)

Options and Consumable Products

Ink Supply Units

SC-S9100/SC-S9160

Color name	Product number	
	800ml	1500ml
Black	T51P1	T51V1
Cyan	T51P2	T51V2
Magenta	T51P3	T51V3
Yellow	T51P4	T51V4
Light Cyan	T51P5	T51V5
Light Magenta	T51P6	T51V6
Light Black	T51P7	T51V7
Orange	T51P8	T51V8
Red	T51P9	T51V9
White	T51PA	T51VA
Green	T51PF	T51VF

SC-S9130/SC-S9140

Color name	Product number	
	800ml	1500ml
Black	T51S1	T51Y1
Cyan	T51S2	T51Y2
Magenta	T51S3	T51Y3
Yellow	T51S4	T51Y4
Light Cyan	T51S5	T51Y5
Light Magenta	T51S6	T51Y6
Light Black	T51S7	T51Y7

Appendix

Color name	Product number	
	800ml	1500ml
Orange	T51S8	T51Y8
Red	T51S9	T51Y9
White	T51SA	T51YA
Green	T51SF	T51YF

SC-S9170

Color name	Product number	
	800ml	1500ml
Black	T51N1	T51U1
Cyan	T51N2	T51U2
Magenta	T51N3	T51U3
Yellow	T51N4	T51U4
Light Cyan	T51N5	T51U5
Light Magenta	T51N6	T51U6
Light Black	T51N7	T51U7
Orange	T51N8	T51U8
Red	T51N9	T51U9
White	T51NA	T51UA
Green	T51NF	T51UF

SC-S9180

Color name	Product number
	1500ml
Black	T51X1
Cyan	T51X2
Magenta	T51X3
Yellow	T51X4
Light Cyan	T51X5
Light Magenta	T51X6
Light Black	T51X7
Orange	T51X8

Appendix

Color name	Product number
	1500ml
Red	T51X9
White	T51XA
Green	T51XF

Epson recommends the use of genuine Epson Ink Supply Unit. Epson cannot guarantee the quality or reliability of non-genuine ink. The use of non-genuine ink may cause damage that is not covered by Epson's warranties, and under certain circumstances, may cause erratic printer behavior. Information about non-genuine ink levels may not be displayed, and use of non-genuine ink is recorded for possible use in service support.

Others

Product name	Product number	Explanation
Cleaning Ink Supply Unit (except for SC-S9180)	T56L0	Use for Keeping Preparation and Change Color Mode.
Cleaning Ink Supply Unit (for SC-S9180)	T56LC	
Waste Ink Bottle	T7240	This is the same as the waste ink bottle supplied with the printer.
Maintenance Parts Kit (except for SC-S9180)	C13S210153	The following consumable items are included in one maintenance set.
Maintenance Parts Kit (for SC-S9180)	C13S210154	<input type="checkbox"/> Wiper unit (x1) <input type="checkbox"/> Flushing pad (x1) <input type="checkbox"/> Air filter (x2) <input type="checkbox"/> Gloves (x2)
Ink Cleaner	T6993	Identical to the Ink Cleaner supplied with the printer.
Clean Room Wiper*	C13S090016	Identical to the Clean Room Wiper supplied with the printer.
Cleaning Stick	C13S090013	Identical to the Cleaning Stick supplied with the printer.
Media Cleaner Brush	C12C936031	Identical to the Media Cleaner Brush supplied with the printer.

* Not available for purchase in some countries and regions. We recommend BEMCOT M-3 II from the Asahi Kasei Corporation when purchasing commercial products.

Supported Media

The following media can be used with the printer. Print quality is greatly affected by the type and quality of media used. Choose a media suited to the task at hand. For information on use, refer to the documentation supplied with the media or contact the manufacturer. Before buying media in large quantities, try printing on a smaller sample and check the results.

! Important:

Do not use media that is wrinkled, scuffed, torn, or dirty.

Roll media

Roll core size	2 or 3 inch
Roll outer diameter	250 mm (9.84 in.) or less
Media width	300 mm (11.8 in.) to 1625.6 mm (64 in.)
Media thickness	1 mm (0.03 in.) or less
Roll weight	Maximum 45 kg (99 lb)

Cut media

Media width	300 mm to 1625.6 mm (11.8 to 64 in.)
Media length	500 mm (19.68 in.) or more
Media thickness	1 mm (0.03 in.) or less

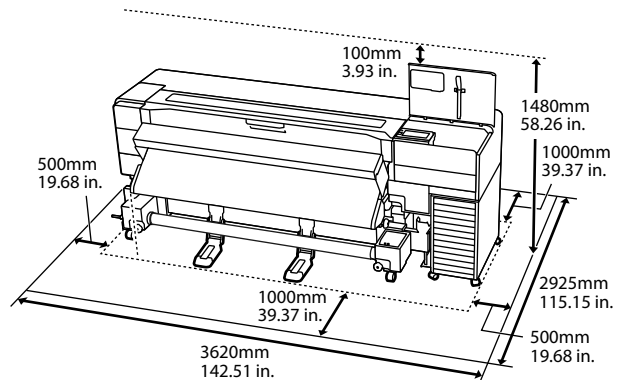
Moving and Transporting the Printer

This section describes how to move and transport the product.

Suitable Installation Locations

Install this printer in a location that meets the following guidelines.

- ❑ A stable location that is flat and does not transmit vibrations, with sufficient space around it, as shown in the illustration.



- ❑ A location that can sufficiently support the weight of the printer (approx. 342 kg [754 lb]).
- ❑ A location where the printer's two power cables can be connected to separate outlets.

! Warning:

- ❑ *To prevent ground leak accidents, connect to a grounded (earthed) outlet. Connecting to anything other than a grounded outlet could result in electric shock or fire. Check the electrical outlet that will be used. If the outlet is not grounded, contact your dealer.*
- ❑ *Use only the type of power source indicated on the printer's label. An electric shock or fire could occur.*
- ❑ *Do not connect the power cable to a power strip or multi plug. An electric shock or fire could occur. Connect the power cable directly to an outlet for domestic use.*

- ❑ See the Specifications Table for the appropriate environmental conditions (temperature and humidity) for proper use.

[📄 "Specifications Table" on page 153](#)

Moving the Printer

This section explains how to move the printer to another location on the same floor, assuming there are no bumps or gaps in the floor or that if there are bumps or gaps, they are within allowable specifications. See the following for information on moving over a floor with bumps or gaps that exceed the allowable specifications, a floor that slopes, or how to move to another floor or building.

 [“Transport” on page 148](#)

 **Caution:**


Do not tilt the product more than 10 degrees forward or back while moving it. Failure to observe this precaution could result in the printer falling over, causing accidents.

 **Important:**

- The printer can be moved across bumps of less than 5 mm (0.19 in.) and gaps of less than 20 mm (0.78 in.). Before you start, check the bumps and gaps of the route to move the printer.
- When moving over bumps or across gaps, disconnect the bulk ink solution and move it separately from the printer.
- Move the printer with the ink supply units installed.

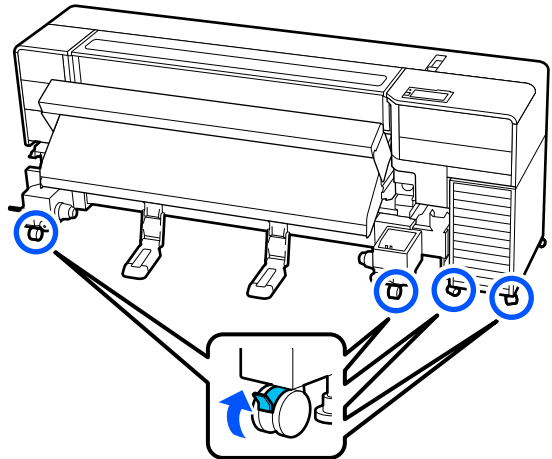
Getting Ready

Preparing to move when there are no bumps or gaps

- 1** Confirm that the printer is off.
- 2** Go to the back of the printer and remove the waste ink bottle.
 -  [“Replacing the Waste Ink Bottle” on page 80](#)
- 3** Disconnect the power cables and the computer communication cable from the printer.

- 4** Remove media from the media feeding unit and the auto take-up reel unit.

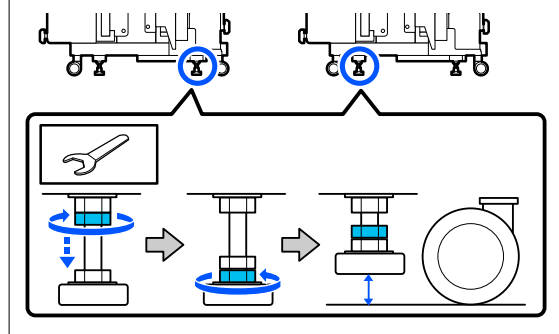
- 5** Unlock all of the casters.
 - Unlock the two casters at the front of the printer and the two at the front of the bulk ink solution.



 **Important:**

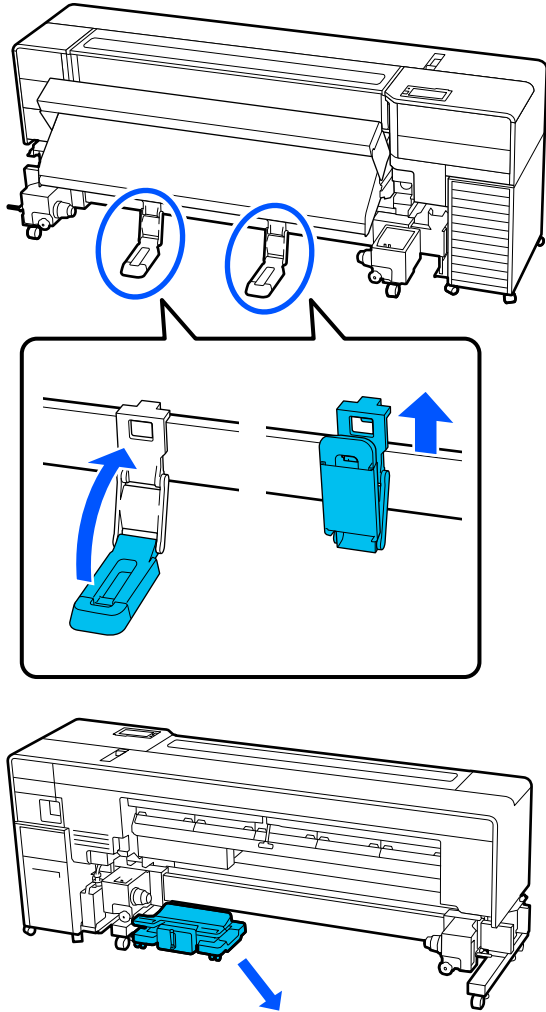
Make sure you raise the levelers above the casters before trying to move the printer. Moving the printer without raising the levelers could cause a malfunction. You need the spanner supplied to adjust the levelers.

- (1) Loosen the nut on the top of the levelers.
- (2) Turn the nut on the bottom counter-clockwise.
- (3) Check that it is above the caster.

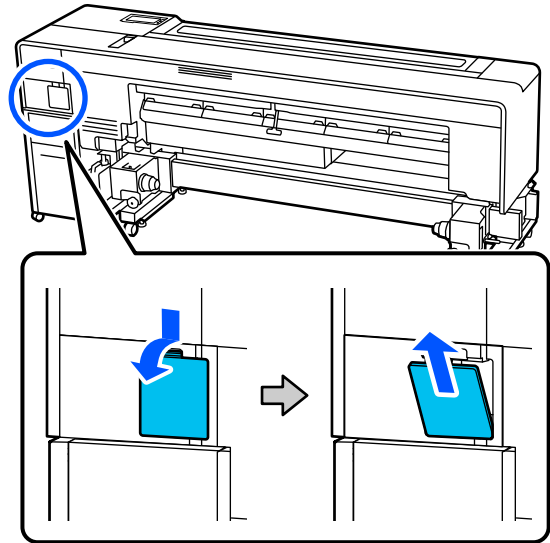


Appendix

- 6 Remove the media support and the media roll lift.




- 7 Remove the port cover from the back of the printer.



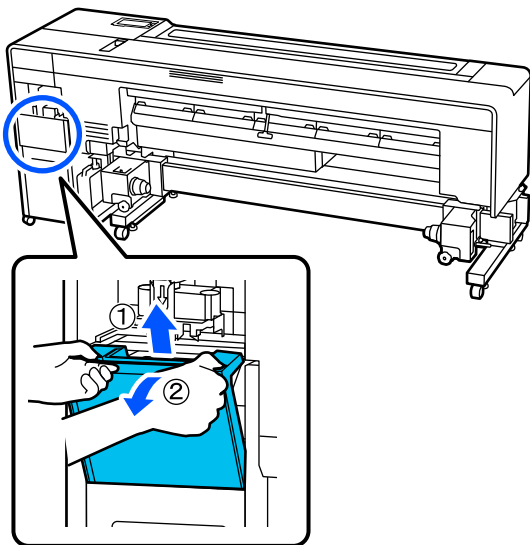
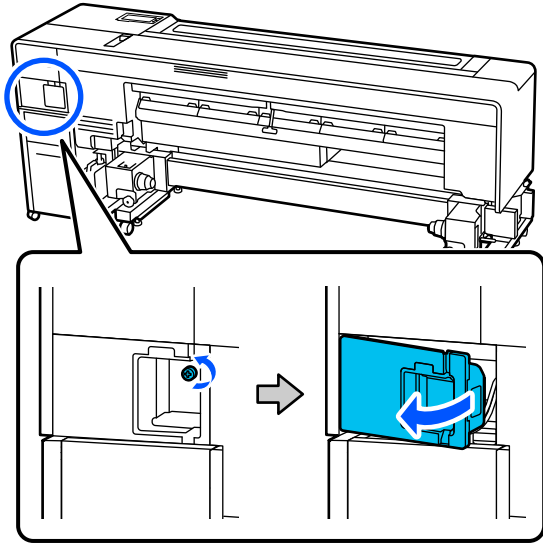
- 8 Disconnect the power cables and the computer communication cable from the back of the printer.

Preparing to move when there are bumps or gaps

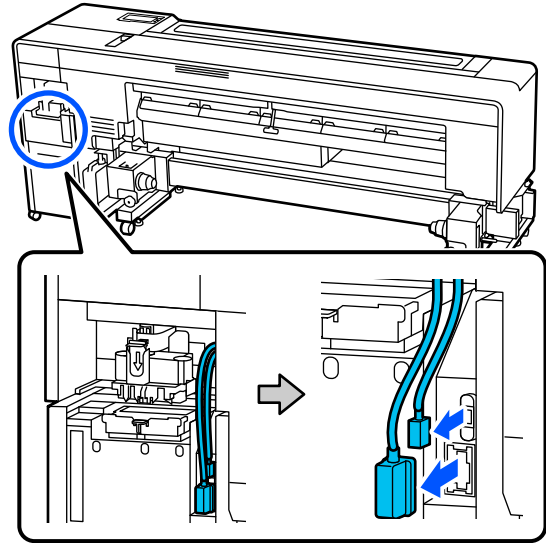
- 1 Remove media from the media feeding unit and the auto take-up reel unit.
- 2 Turn the printer on.
- 3 Press  (Maintenance), and then press **Move/Transport**.
- 4 Follow the on-screen instructions to drain the ink from the printer.
- 5 Remove the waste ink bottle.
[🔗 “Replacing the Waste Ink Bottle” on page 80](#)
- 6 Turn off the printer.

Appendix

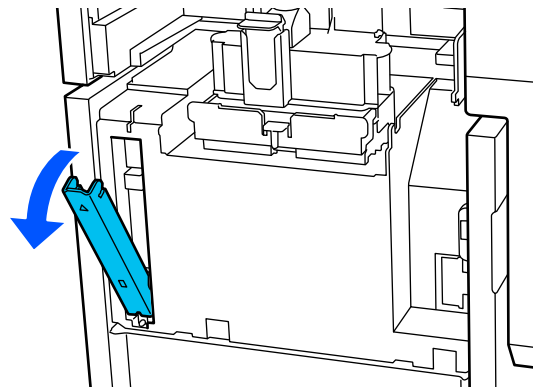
- 9** Remove the ink tube connector cover and the lower port cover from the back of the printer.



- 10** Disconnect the two communication cables from the bulk ink solution.

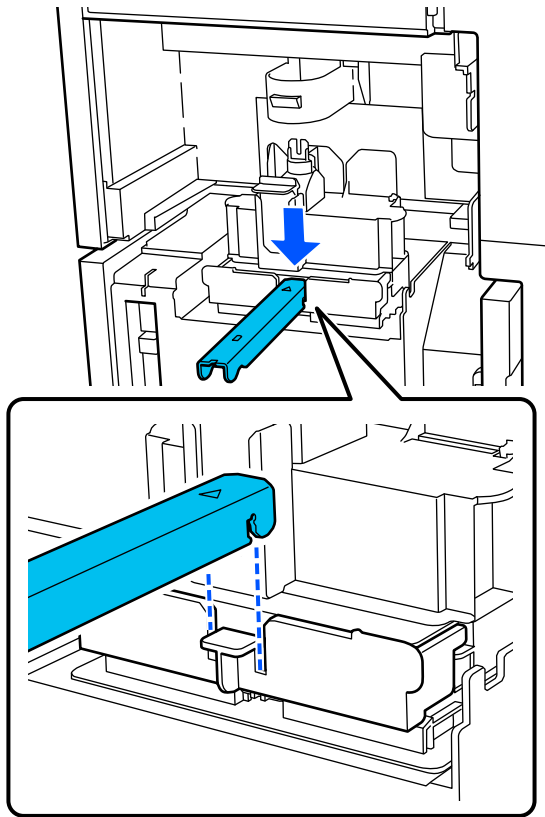


- 11** Remove the lever from the bulk ink solution.



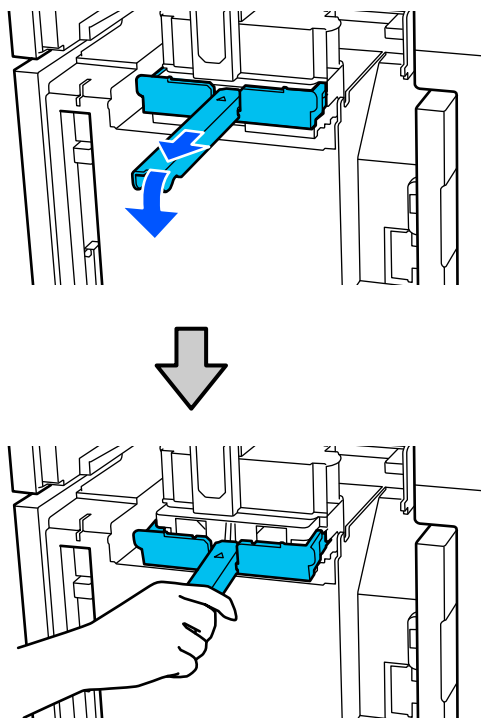
Appendix

- 12** Insert the notch at the end of the lever onto the lock handle.

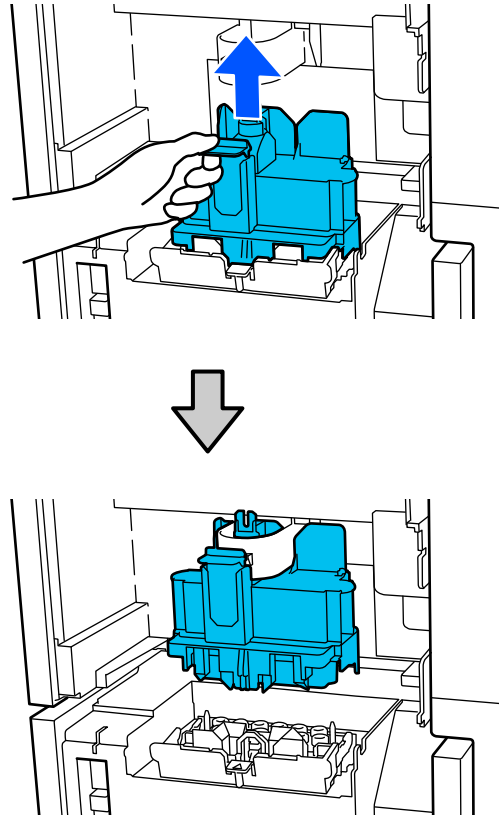


- 13** Use the lever to pull the lock handle toward you and lower it.

Lift up and disconnect the ink tube connector.

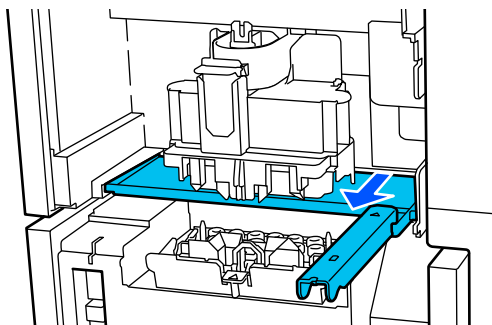
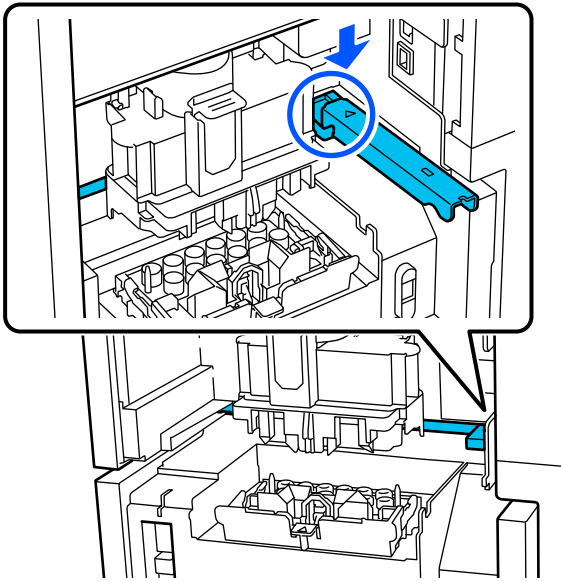


- 14** Hold the knob for the ink tube connector, then lift the connector and secure it at the top.

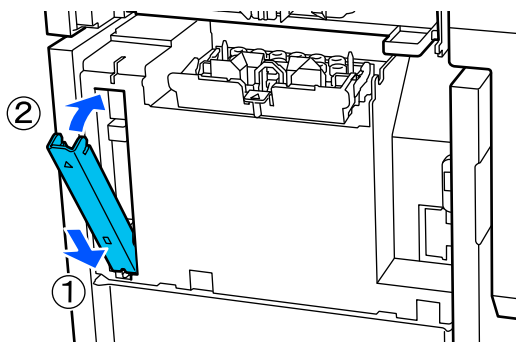


Appendix

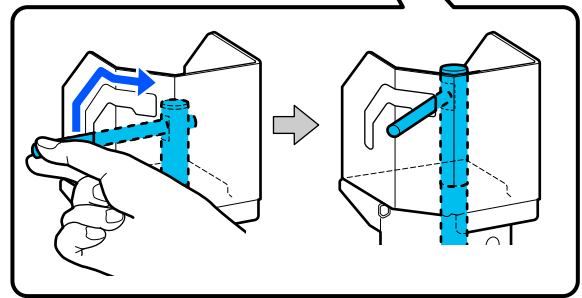
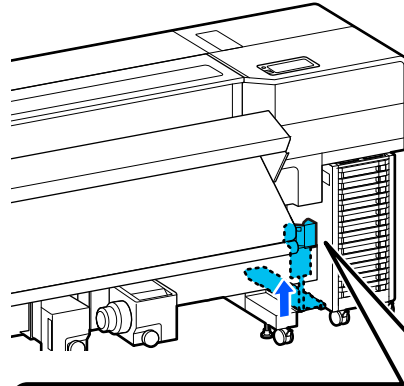
- 15** Insert the notch at the end of the lever, as shown in the following illustration, and then pull out the tray.



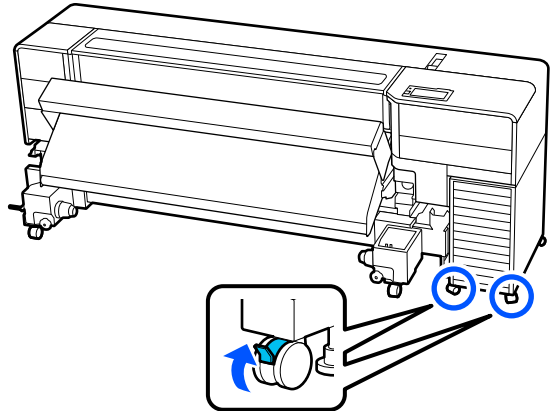
- 16** Position the lever with the ▲ mark facing up, and store the lever.



- 17** Go to the front of the printer and lift up the securing section of the bulk ink solution to release it.

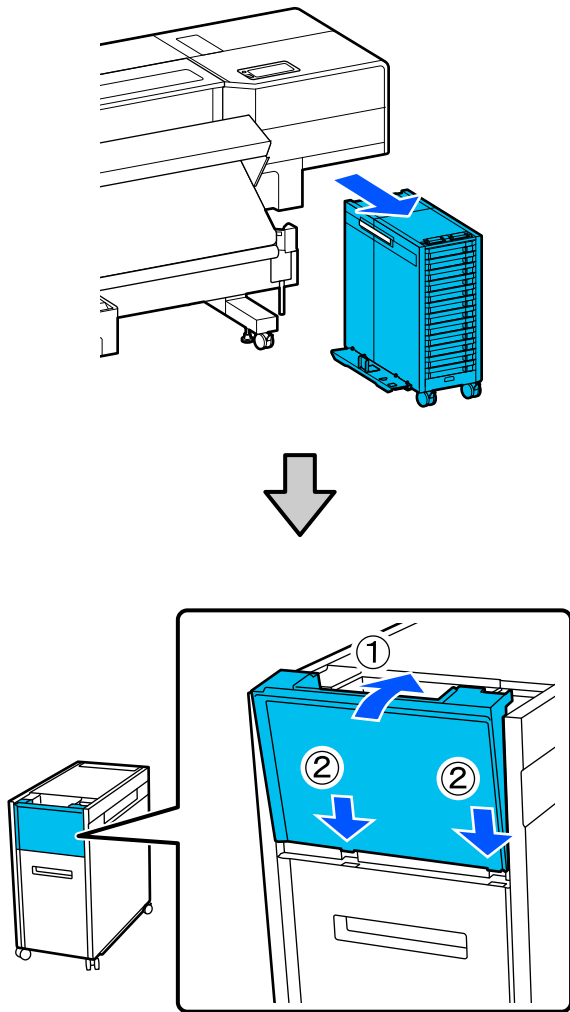


- 18** Unlock the casters on the bulk ink solution.




Appendix

- 19** Pull out the bulk ink solution and attach the port cover.



Make sure you remove the ink tube connector cover before moving.

- 20** Remove the media support and media roll lift from the printer and unlock the casters.

 "Preparing to move when there are no bumps or gaps" on page 136

When moving through a narrow space

Although the printer's depth is 925 mm (36.41 in.), rotating the after heater can reduce this to 745 mm (29.33 in.).

When moving through a narrow space, such as a door, follow the steps below to rotate the printer's after heater before moving it.

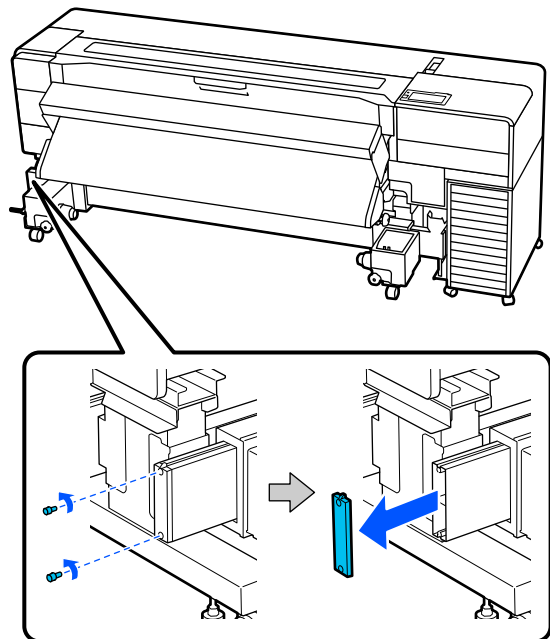
Make sure you use two workers when folding the after heater.

What You'll Need

Hex wrench supplied

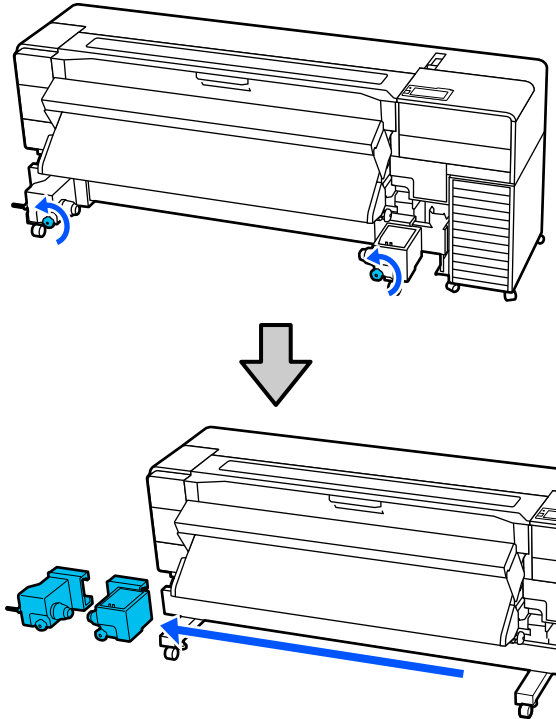


- 1** Remove the cap on the left side of the auto take-up reel unit.

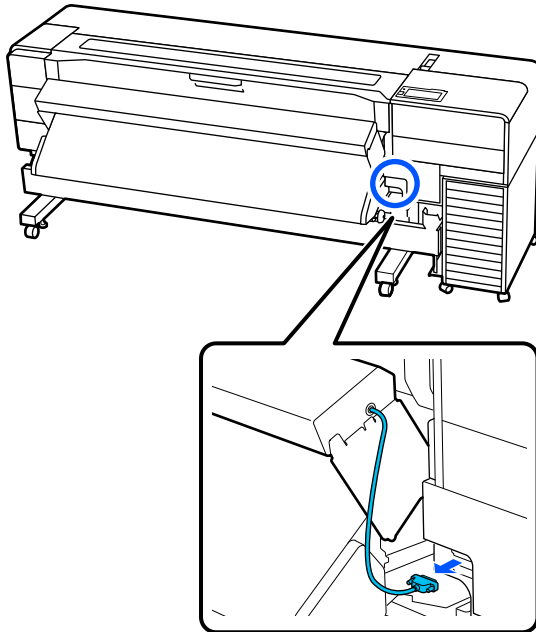


Appendix

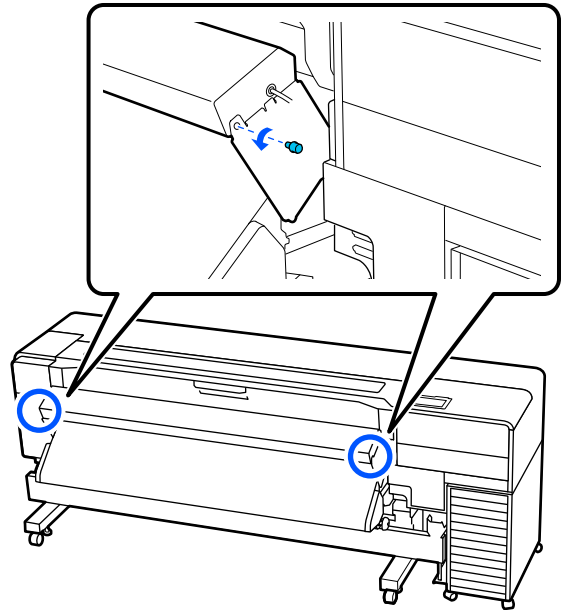
- 2 Loosen the locking screws on the media holders and remove them both.



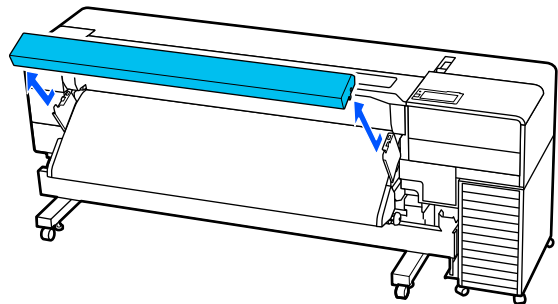
- 3 Disconnect the drying fan communication cable.



- 4 Remove the screws shown in the illustration from the left and right of the drying fan.

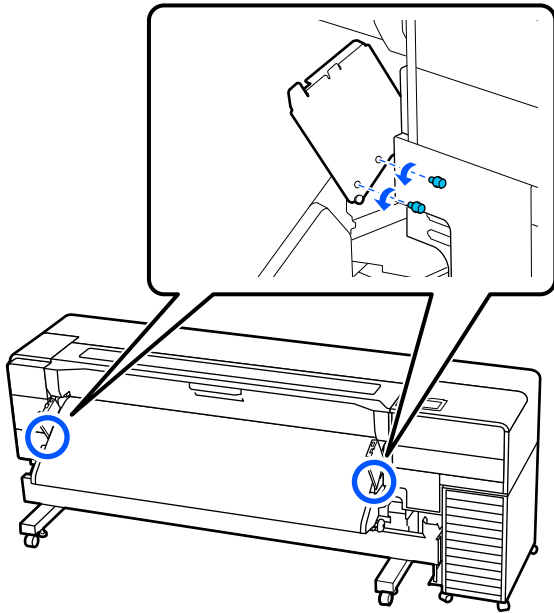


- 5 Grip the sides and pull the drying fan straight up to remove it.

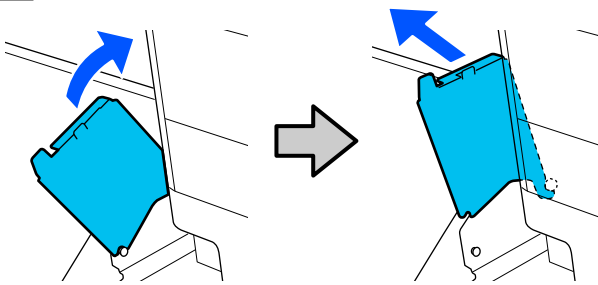


Appendix

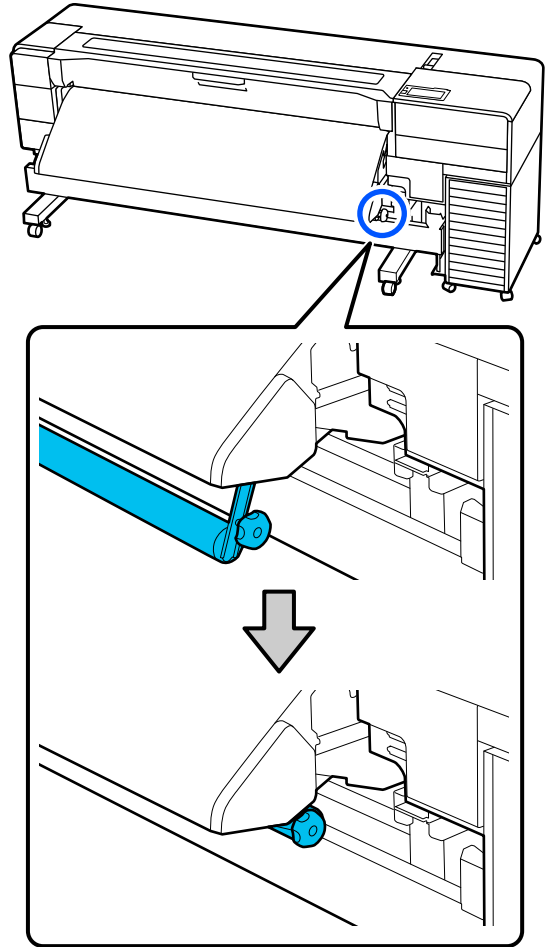
- 6** Remove the screws shown in the illustration from the left and right drying fan installation plates.



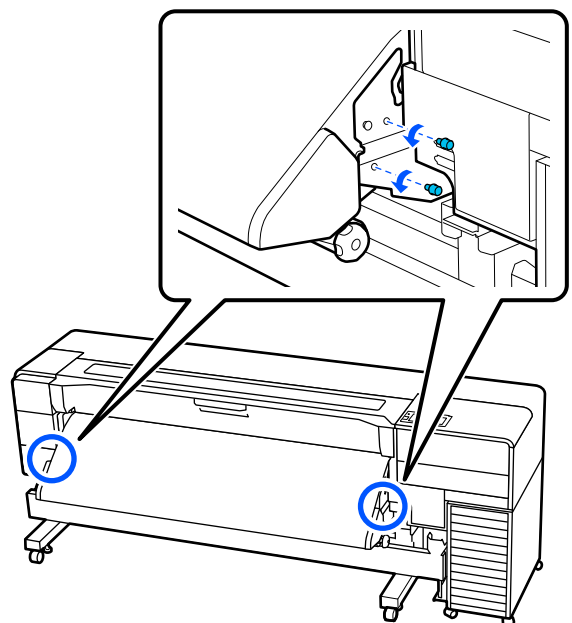
- 7** Remove the drying fan installation plates.



- 8** When using the auto take-up reel unit, store the tension bar.



- 9** Remove the screws shown in the illustration on the left and right of the after heater.

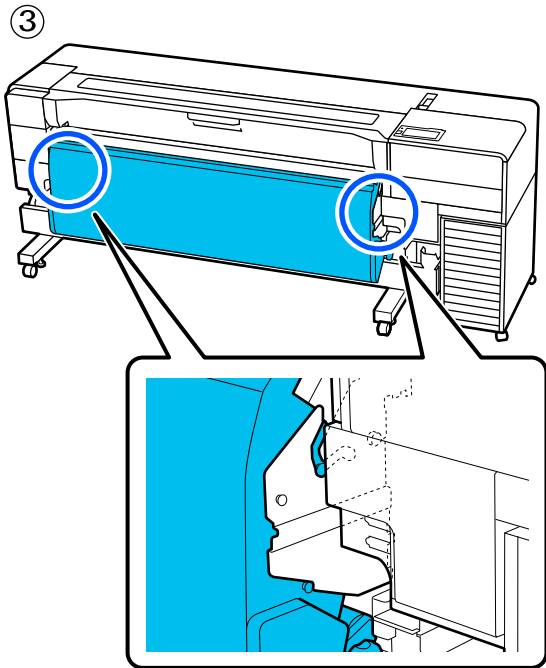
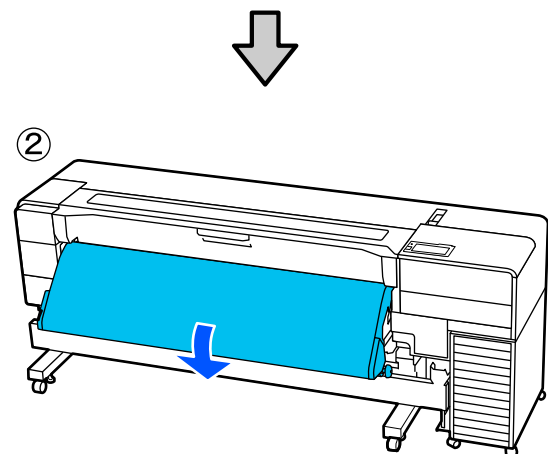
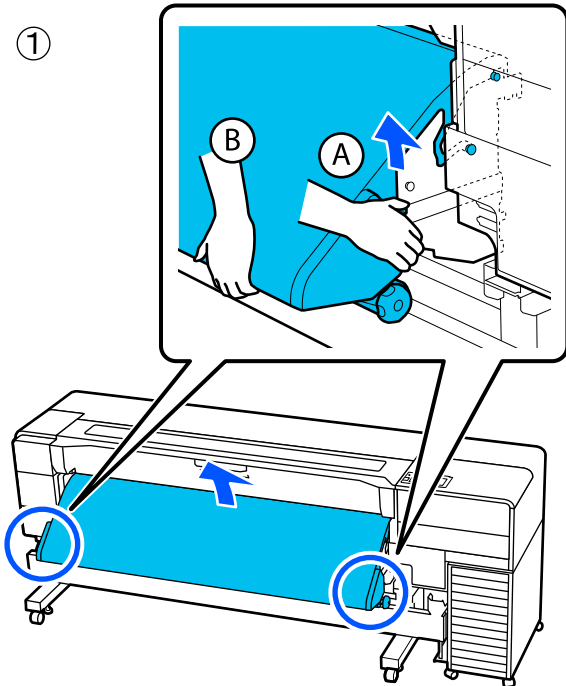


Appendix

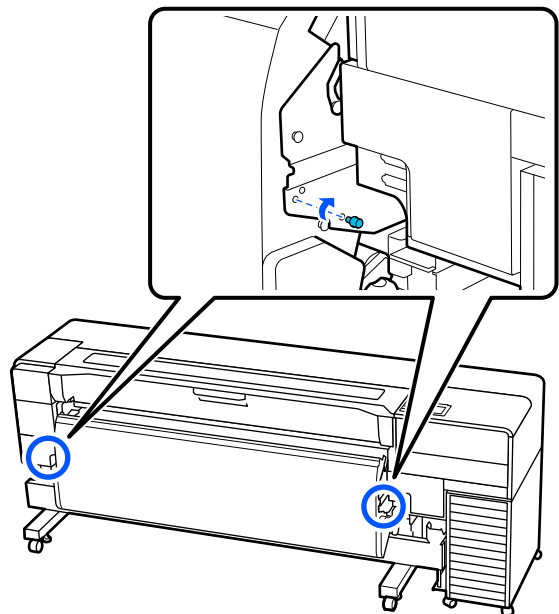
10 Rotate the after heater.

Two people should hold both sides of the after heater when folding it.

Place your hands at the points shown in the illustration and lift it up. At this point in step (1), hand B should only support the after heater, while hand A should lift it slightly straight up. Trying to lift B will not move the heater at all.

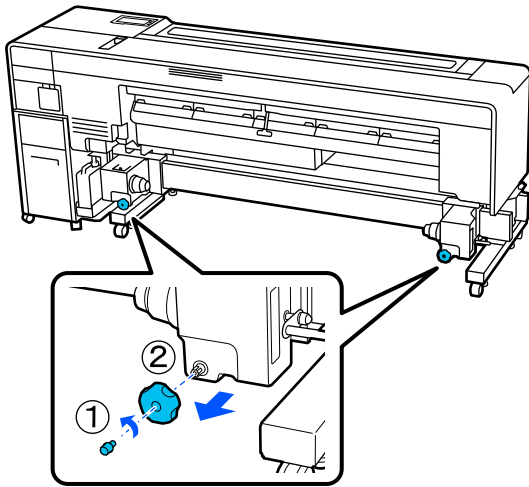


11 Use the screws that you removed to secure the after heater at the points shown in the illustration on the left and right.



Appendix

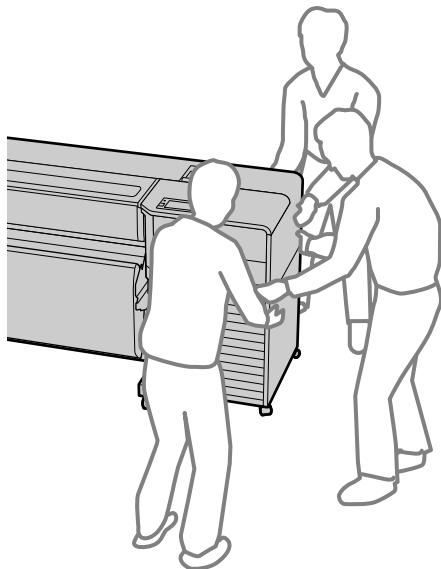
- 12** Go to the back of the printer, loosen the screws inside the knobs for the media holder's locking screws, and remove the knobs.



Moving

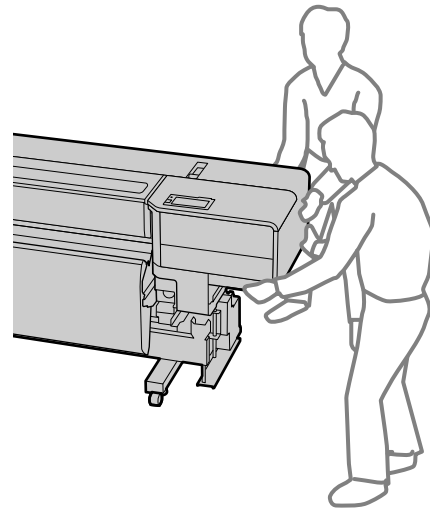
Moving when there are no bumps or gaps

Use four people to move the printer, and move so that the printer goes first in the direction you are moving. When pushing the printer, hold it at the edges, as shown in the illustration.



Moving when there are bumps or gaps

Use three people to move the printer and one person to move the bulk ink solution. Hold the printer at the edges, as shown in the illustration, and move so that the printer goes first in the direction you are moving.



Post-Move Installation

North American and Latin American users

Contact your dealer for product installation. The product must be installed by an authorized dealer. Damage to the product from unauthorized installation will not be covered by your Epson warranty.


Other regions

After moving the printer, follow the steps below to ready it for use.

Installing after moving when there are no bumps or gaps

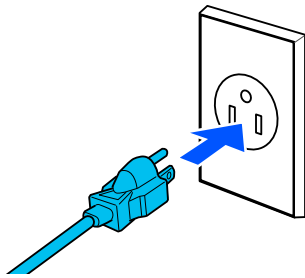
- 1** Check that the location is appropriate for installation.
 - [“Suitable Installation Locations” on page 135](#)
- 2** See the *Setup Guide* and perform the following procedures.
 - Lock the casters
 - Attach the waste ink bottle
 - Level the printer
 - Attach the media support and the media roll lift
 - Connect the computer communication cable

Appendix

 *Setup Guide* (booklet)

If you do not have the *Setup Guide* on hand, you can check the Online Manual.

- 3 Plug the power cables into outlets with grounding (earth) connectors, and then turn on the power.



 **Important:**

The shape of the plug varies with the region or country of sale. Use the supplied power cables only.

- 4 Perform a **Print Head Nozzle Check** to check for clogged nozzles.

 [“How to Print a Nozzle Check Pattern” on page 84](#)

- 5 Execute **Print Adjustments** in the Settings menu.

 [“Optimizing Media Settings \(Automatic Adjustment\)” on page 59](#)

Installing after moving when there are bumps or gaps

- 1 Check that the location is appropriate for installation.

 [“Suitable Installation Locations” on page 135](#)

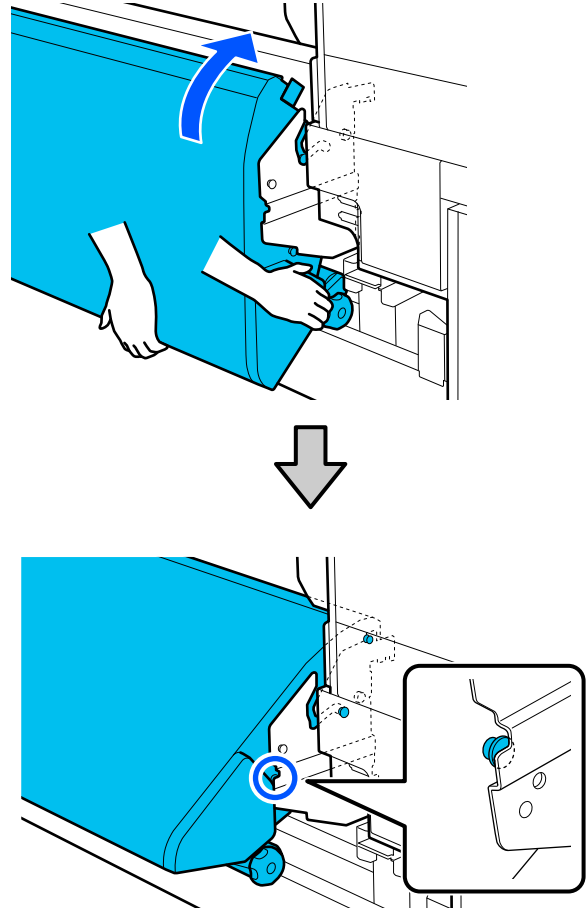
- 2 Return the after heater to its original position if it was rotated.

Reposition it by following the steps in “When moving through a narrow space” in reverse order.

 [“When moving through a narrow space” on page 141](#)

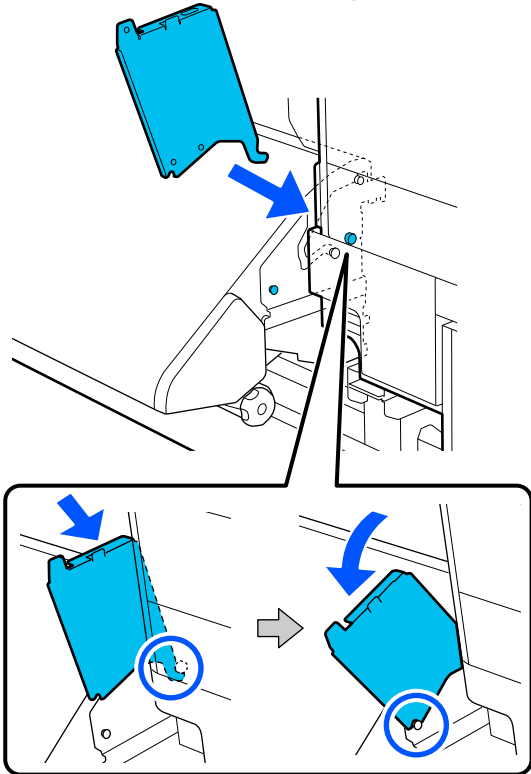
Note the following points when repositioning the after heater.

- ❑ When raising the after heater, make sure that the protruding parts on the sides of the after heater fit into the grooves shown in the illustration.

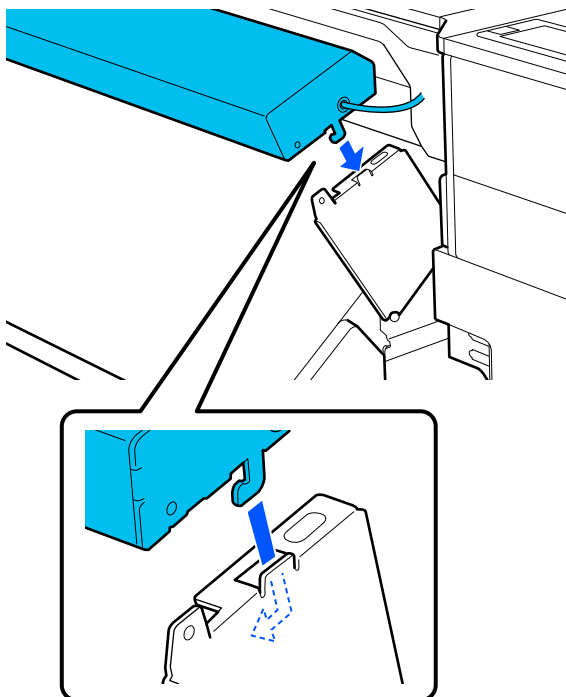


Appendix

- ❑ Install the drying fan installation plates by inserting the tip at the position shown in the illustration and then lowering it down.



- ❑ Install the drying fan by inserting the left and right hooks into the holes shown in the illustration and then sliding it slightly toward you.

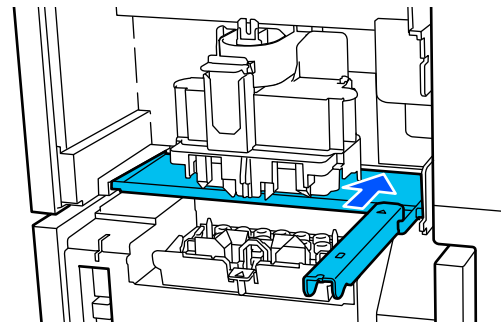


- 3** See the *Setup Guide* and perform the following procedures.

- ❑ Lock the casters on the printer
- ❑ Attach the waste ink bottle
- ❑ Level the printer
- ❑ Attach the bulk ink solution*
- ❑ Attach the media support and the media roll lift
- ❑ Connect the computer communication cable

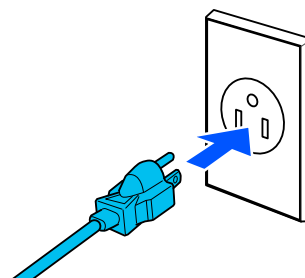
 *Setup Guide* (booklet)

*When installing the bulk ink solution, store the tray at the back of the printer before proceeding.



If you do not have the *Setup Guide* on hand, you can check the Online Manual.

- 4** Plug the power cables into outlets with grounding (earth) connectors, and then turn on the power.



 **Important:**

The shape of the plug varies with the region or country of sale. Use the supplied power cables only.

Appendix

5 Perform a **Print Head Nozzle Check** to check for clogged nozzles.

 [“How to Print a Nozzle Check Pattern” on page 84](#)

6 Execute **Print Adjustments** in the Settings menu.

 [“Optimizing Media Settings \(Automatic Adjustment\)” on page 59](#)

Transport

Before transporting the printer, contact your dealer or Epson Support.

Appendix

Media Settings List for Each Media Type

The following table shows the media settings registered when a Media Type is selected.

Item	Media Type					
	Adhesive Vinyl	Banner	Film	Canvas	Textile	Paper/ Other
Platen Gap	1.6	2.0	1.6	2.0	2.0	1.6
Pre-heater temperature	50°C/122°F	50°C/122°F	40°C/104°F	50°C/122°F	50°C/122°F	40°C/104°F
Platen heater temperature	40°C/104°F	40°C/104°F	40°C/104°F	40°C/104°F	40°C/104°F	40°C/104°F
After heater temperature	50°C/122°F	50°C/122°F	50°C/122°F	50°C/122°F	50°C/122°F	40°C/104°F
Drying Time per Pass	0 second	0 second	0 second	0 second	0 second	0 second
Proceed to Drying after Print	Off	Off	Off	Off	Off	Off
Print Head Warm Up	Off	Off	Off	Off	Off	Off
Feeding Tension	Lv2	Lv2	Lv2	Lv2	Lv4	Lv2
Paper Suction	Lv4	Lv4	Lv4	Lv4	Lv4	Lv6
Head Movement Range	Data Width	Data Width	Data Width	Data Width	Data Width	Data Width
Multi-Strike Printing	Off	Off	Off	Off	Off	Off
Media Feed Speed Limitation	Off	Off	Off	Off	Off	Off
Pressure Roller Load	Heavy	Medium	Medium	Medium	Medium	Heavy
Skew Reduction	On	On	Off	On	On	On
Roll Winding Direction	Printable Side Out	Printable Side Out	Printable Side Out	Printable Side Out	Printable Side Out	Printable Side Out
Skip Wrinkled Media	Off	Off	Off	Off	Off	Off
Take-Up	Standard	Standard	Standard	Standard	Standard	Standard
Periodic Cleaning	Auto	Auto	Auto	Auto	Auto	Auto

System Requirements

Each software can be used in the following environments. (As of August, 2024)

The supported operating systems vary by region and may change.

For the latest information, see the Epson Web site.

Epson Edge Dashboard

Important:

Make sure the computer on which the Epson Edge Dashboard is installed meets the following requirements.

If these requirements are not met, the software cannot monitor the printer correctly.

- Disable your computer's hibernate function.*
- Disable the sleep function so that the computer does not enter sleep status.*

Windows

Operating systems	<p>North America and Latin America</p> <p>Windows 8 / Windows 8 x64 Windows 8.1 / Windows 8.1 x64 Windows 10 / Windows 10 x64 Windows 11</p> <p>Other regions</p> <p>Windows 7 SP1 / Windows 7 x64 SP1 Windows 8 / Windows 8 x64 Windows 8.1 / Windows 8.1 x64 Windows 10 / Windows 10 x64 Windows 11</p>
CPU	Multi-core processor (3.0 GHz or faster) Intel Core i5 3.4 GHz or faster recommended
Free memory	4 GB or more
Hard disk (free space during installation)	2 GB or more
Display resolution	1280 x 1024 or better
Communication interface	High Speed USB Ethernet 1000Base-T
Browser	Microsoft Edge

Appendix

Mac

Operating systems	North America and Latin America Mac OS X 10.9 or later Other regions Mac OS X 10.7 Lion or later
CPU	Multi-core processor (3.0 GHz or faster) Intel Core i5 3.4 GHz or faster recommended
Free memory	4 GB or more
Hard disk (free space during installation)	2 GB or more
Display resolution	1280 x 1024 or better
Communication interface	High Speed USB Ethernet 1000Base-T
Browser	Safari 6 or later

Epson Edge Print

Operating systems	Windows 8.1 x64 Windows 10 x64 Windows 11
CPU	Intel® Core™ i3 3.0 GHz or faster (released after April 2014)
Free memory	8 GB or more
Hard disk (free space during installation)	50 GB or more
Display resolution	1280 x 1024 or better
Communication interface	High Speed USB Ethernet 100Base-TX/1000Base-T

The computer on which this software is installed is expected to be able to simultaneously use other applications, such as Adobe Illustrator. Therefore, we recommend using a computer with the highest specifications available.

In addition, the data that this software handles is normally several GB, and could reach several tens of GB for long high-quality print jobs.

Because of this, we recommend a computer that has a hard disk with sufficient surplus available memory capacity.

Web Config

The following browsers are supported. Make sure you are using the latest version of the browser.

Appendix

Internet Explorer 11, Microsoft Edge, Firefox, Chrome, Safari

Appendix

Specifications Table

Printer Specifications	
Printing method	On-demand ink jet
Nozzle configuration	
Except for White	400 nozzles x 2 rows x 10 colors (Magenta, Yellow, Cyan, Black, Light Magenta, Light Cyan, Light Black, Red, Orange, Green)
White	400 nozzles x 4 rows x 1 color (White)
Resolution (maximum)	1200x1200dpi
Control code	ESC/P raster (undisclosed command)
Media feed method	Friction feed
Built-in memory	4GB
Interface	SuperSpeed USB 100Base-TX/1000Base-T*1*2
Rated voltage (#1, #2)	SC-S9160/SC-S9180: AC200-240 Other models: AC 100-120 / AC 200-240 V
Rated frequency (#1, #2)	50/60Hz
Rated current (#1, #2)	SC-S9160/SC-S9180: 10 A Other models: 12 A/10 A
Power consumption (total for numbers #1 and #2)	
In use	Approx. 1190 W
Ready status	Approx. 500 W
Sleep mode	Approx. 3.4 W
Power off	Approx. 0.3 W
Temperature and humidity (without condensation)	

Printer Specifications																												
In use	15 to 35°C (59 to 95°F), 20 to 80% Recommended: 20 to 32°C (68 to 89.6°F), 40 to 60%																											
In storage (Before unpacking)	-20 to 60°C (-4 to 140°F), 5 to 85% (Within 120 hours at 60°C (140°F), within a month at 40°C (104°F)																											
In storage (After unpacking)	-20 to 40°C (-4 to 104°F), 5 to 85% (Within a month at 40°C (104°F)																											
<p>Temperature and humidity range</p> <p>Gray area: Printing</p> <p>Cross-hatch lines: Recommended</p> <table border="1"> <caption>Temperature and Humidity Range Data</caption> <thead> <tr> <th>Temperature (°C)</th> <th>Humidity (%)</th> <th>Area Type</th> </tr> </thead> <tbody> <tr> <td>15</td> <td>20</td> <td>Gray (Printing)</td> </tr> <tr> <td>15</td> <td>80</td> <td>Gray (Printing)</td> </tr> <tr> <td>32</td> <td>80</td> <td>Gray (Printing)</td> </tr> <tr> <td>32</td> <td>20</td> <td>Gray (Printing)</td> </tr> <tr> <td>20</td> <td>40</td> <td>Cross-hatch (Recommended)</td> </tr> <tr> <td>20</td> <td>60</td> <td>Cross-hatch (Recommended)</td> </tr> <tr> <td>32</td> <td>60</td> <td>Cross-hatch (Recommended)</td> </tr> <tr> <td>32</td> <td>40</td> <td>Cross-hatch (Recommended)</td> </tr> </tbody> </table>		Temperature (°C)	Humidity (%)	Area Type	15	20	Gray (Printing)	15	80	Gray (Printing)	32	80	Gray (Printing)	32	20	Gray (Printing)	20	40	Cross-hatch (Recommended)	20	60	Cross-hatch (Recommended)	32	60	Cross-hatch (Recommended)	32	40	Cross-hatch (Recommended)
Temperature (°C)	Humidity (%)	Area Type																										
15	20	Gray (Printing)																										
15	80	Gray (Printing)																										
32	80	Gray (Printing)																										
32	20	Gray (Printing)																										
20	40	Cross-hatch (Recommended)																										
20	60	Cross-hatch (Recommended)																										
32	60	Cross-hatch (Recommended)																										
32	40	Cross-hatch (Recommended)																										
Dimension																												
Storage dimensions	(W) 2620 x (D) 925 x (H) 1021 mm (W) 103.14 x (D) 36.41 x (H) 40.19 in.																											
Maximum dimensions	(W) 2620 x (D) 1130 x (H) 1380 mm (W) 103.14 x (D) 44.48 x (H) 54.33 in.																											
Weight	Approx. 342 kg*3 Approx. 753.98 lb*3																											

*1 Use a shielded twisted pair cable (category 5e or higher).

*2 We recommend using a 1000BASE-T connection when printing.

*3 Not including ink supply units.

Appendix

Note:

For stable color printing, maintain a constant room temperature of 20 to 32°C (68 to 89.6°F).



Important:

Use the printer at an altitude of 2000 m (6562 ft.) or less.



Warning:

This is a class A product. In a domestic environment this product may cause radio interference in which case the user may be required to take adequate measures.

Information of EU declaration of conformity

The full text of the EU declaration of conformity of this equipment is available at the following internet address.

<https://www.epson.eu/conformity>

ZICTA Type Approval for Users in Zambia

See the following website to check the information for ZICTA Type Approval.

<https://support.epson.net/zicta/>

Ink Specifications	
Type	Dedicated ink supply unit
Pigment ink	Magenta, Yellow, Cyan, Black, Light Magenta, Light Cyan, Light Black, Red, Orange, Green, White
Use by date	Date printed on the ink supply unit (stored at normal temperatures)
Print quality guarantee expiry	One year (after installing in the printer)

Ink Specifications

Storage temperature	<p>When packed and stored: -20 to 40°C (-4 to 104°F) (Within 4 days at -20°C [-4°F], within 1 month at 40°C [104°F])</p> <p>When installed in the printer: -20 to 40°C (-4 to 104°F) (Within 4 days at -20°C [-4°F], within 1 month at 40°C [104°F])</p> <p>When packed and transported: -20 to 60°C (-4 to 140°F) (Within 4 days at -20°C [-4°F], within 1 month at 40°C [104°F], within 72 hours at 60°C [140°F])</p>
Dimensions (approx.)	<p>1500 ml: 180 (W) x 410 (D) x 30 (H) mm (7.08 [W] x 16.14 [D] x 1.18 [H] in.)</p> <p>800 ml: 117 (W) x 360 (D) x 30 (H) mm (4.6 [W] x 14.17 [D] x 1.18 [H] in.)</p>
Capacity	1500 ml, 800 ml

Important Notes Regarding the Printer

Restrictions on Copying

Observe the following restrictions to ensure the responsible and legal use of the printer.

Copying of the following items is prohibited by law:

- Bank bills, coins, government-issued marketable securities, government bond securities, and municipal securities
- Unused postage stamps, pre-stamped postcards, and other official postal items bearing valid postage
- Government-issued revenue stamps, and securities issued according to legal procedure

Exercise caution when copying the following items:

- Private marketable securities (stock certificates, negotiable notes, checks, etc.), monthly passes, concession tickets, etc.

Appendix

- ❑ Passports, driver's licenses, warrants of fitness, road passes, food stamps, tickets, etc.

Note:

Copying these items may also be prohibited by law.

Responsible use of copyrighted materials:

Printers can be misused by improperly copying copyrighted materials. Unless acting on the advice of a knowledgeable attorney, be responsible and respectful by obtaining the permission of the copyright holder before copying published material.