

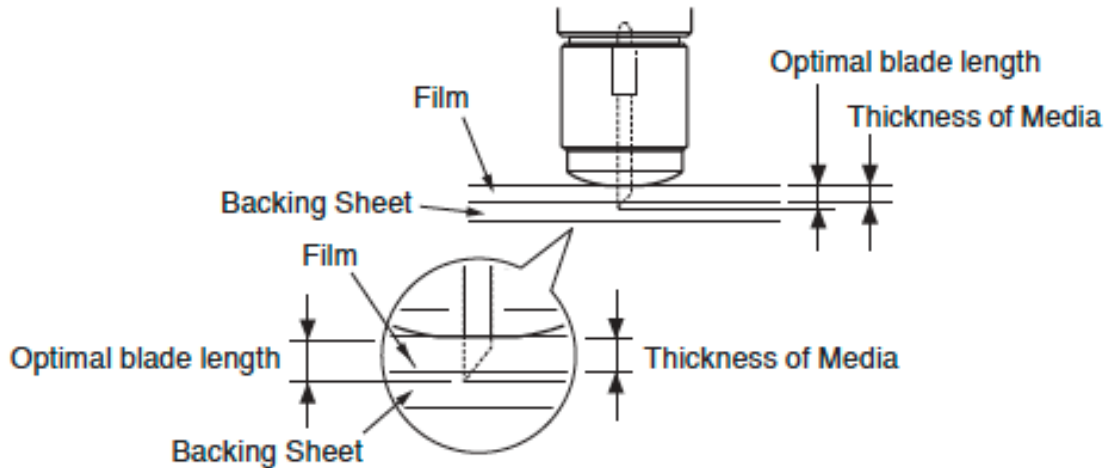
Cut Quality Questions and Solutions

Cut Quality when kiss cutting (vinyl cut):

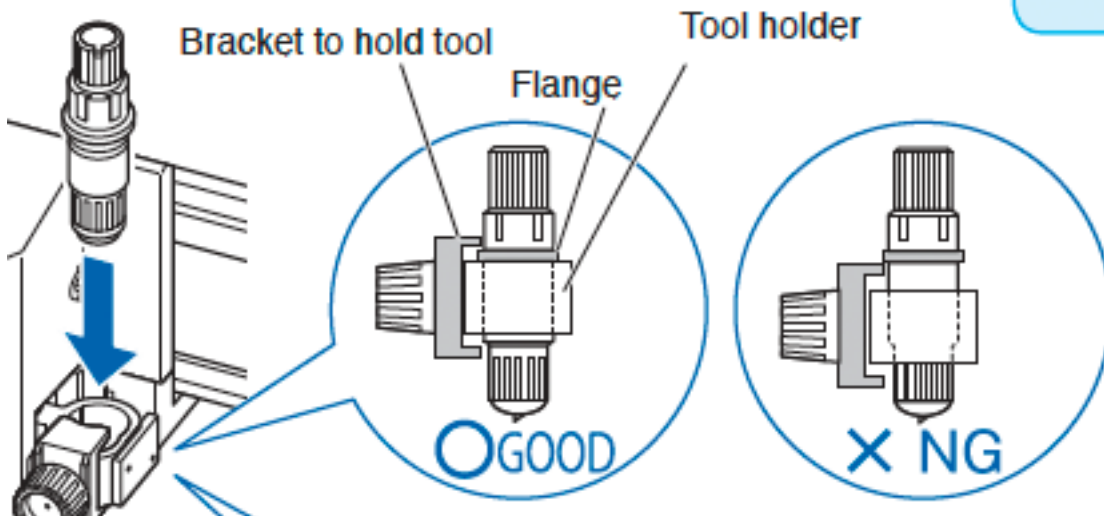
- age of blade holder
- Note: blade holder should be replaced yearly
- blade tip
- blade length
- blade holder loading incorrectly
- after-market blade/blade holder
- tool not selected properly in cut conditions

Note:

- How to set blade length for vinyl cut:



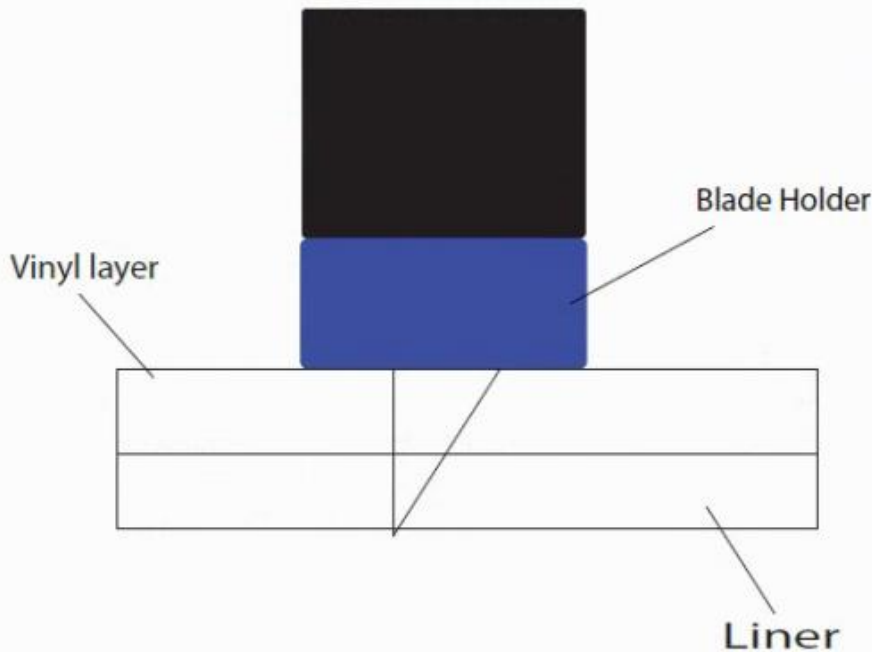
- Properly loading blade holder per user manual instructions:



PerfCut cut quality:

- blade length/too much
- blade tip issue
- blade holder not loaded properly
- cut line patterns, UP increase for easier pop out, etc.

- Blade length recommendation for PerfCut:



Note: Blade length should cover overall thickness of media.

Inconsistent cut pressure:

- blade length
- blade holder not loaded properly
- if on Window Film/Tint see FC9000 cutting Window Film pdf